

<b>ENGINE</b>	<b>ELECTRICAL</b>	<b>CHASSIS</b>	<b>OTHER</b>
<u>Cam Chain</u>	<u>Harness</u>	<u>Frame</u>	<u>Original Options</u>
<u>Cam Shaft</u>	<u>Indicators</u>	<u>Forks</u>	<u>Exhaust</u>
<u>Clutch</u>	<u>L/H Switch</u>	<u>Seat/Tail Piece</u>	<u>Airbox</u>
<u>Crankcase Cover</u>	<u>R/H Switch</u>	<u>Footrest</u>	<u>Carbs</u>
<u>Crankcase</u>	<u>Main Electrics</u>	<u>Front Wheel</u>	<u>Front Brake Hose</u>
<u>Cyl Head Cover</u>	<u>Generator</u>	<u>Rear Wheel</u>	<u>Front Callipers</u>
<u>Cylinder Head</u>	<u>Head Lamp</u>	<u>Fuel Tank</u>	<u>Front Master Cyl</u>
<u>Cylinder</u>	<u>ATU/Pickups</u>	<u>Fuel Tap</u>	<u>Rear Calliper</u>
<u>Gear Shifting</u>	<u>Starter Motor</u>	<u>Handlebar</u>	<u>Rear Master Cyl</u>
<u>Gearbox</u>	<u>Speedo/Tacho</u>	<u>Stands</u>	<u>Prop Shaft</u>
<u>Oil Pump/Filter</u>	<u>Tail Light</u>	<u>Steering</u>	<u>Secondary Drive</u>
<u>Starter Clutch</u>		<u>Swinging Arm</u>	
		<u>Rear Mudguard</u>	
		<u>Front Mudguard</u>	
		<u>Side Panels</u>	

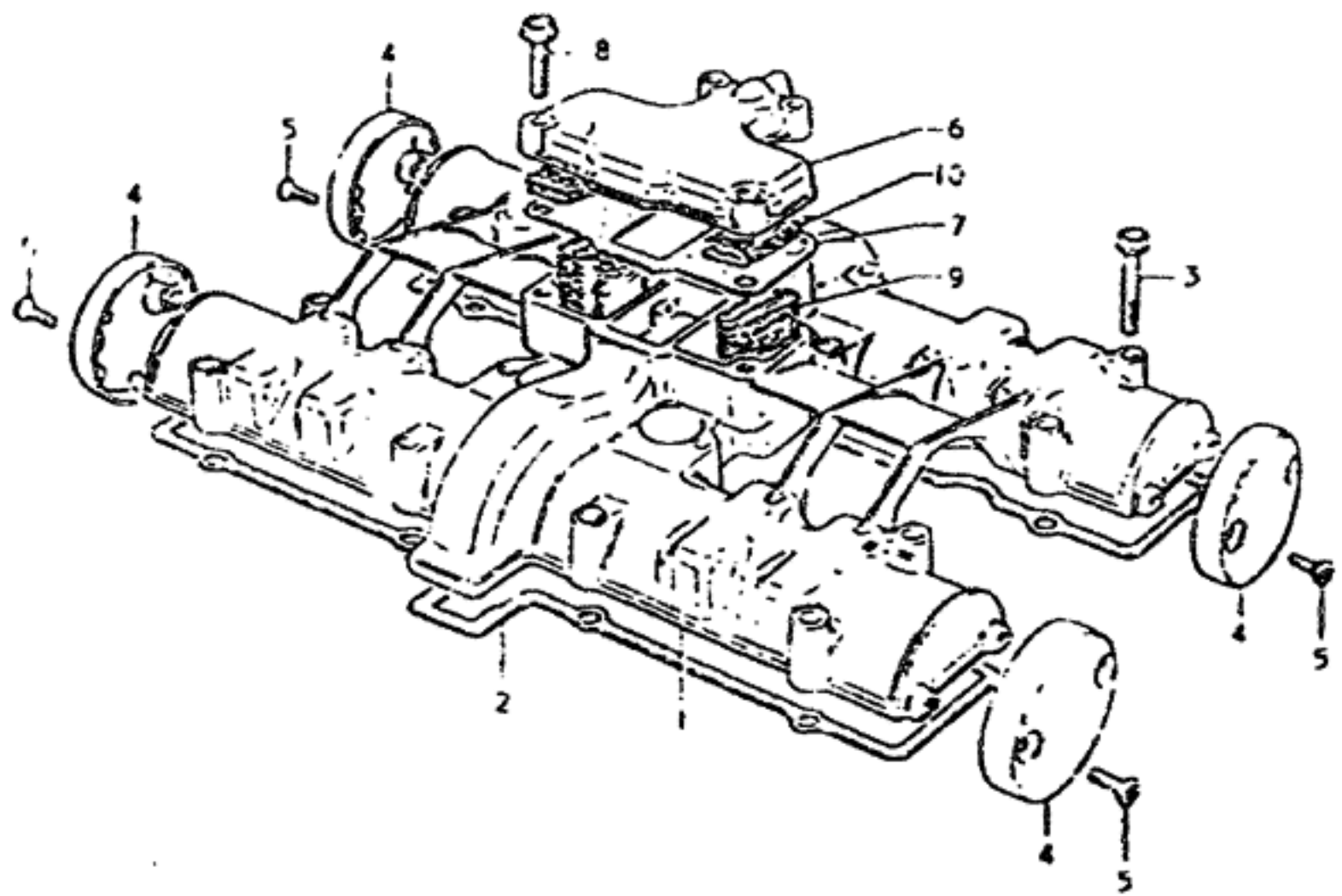
Tank  
Stripes

Tank  
Centres

Side  
Panels

Tail  
Piece

**FIG. 1**

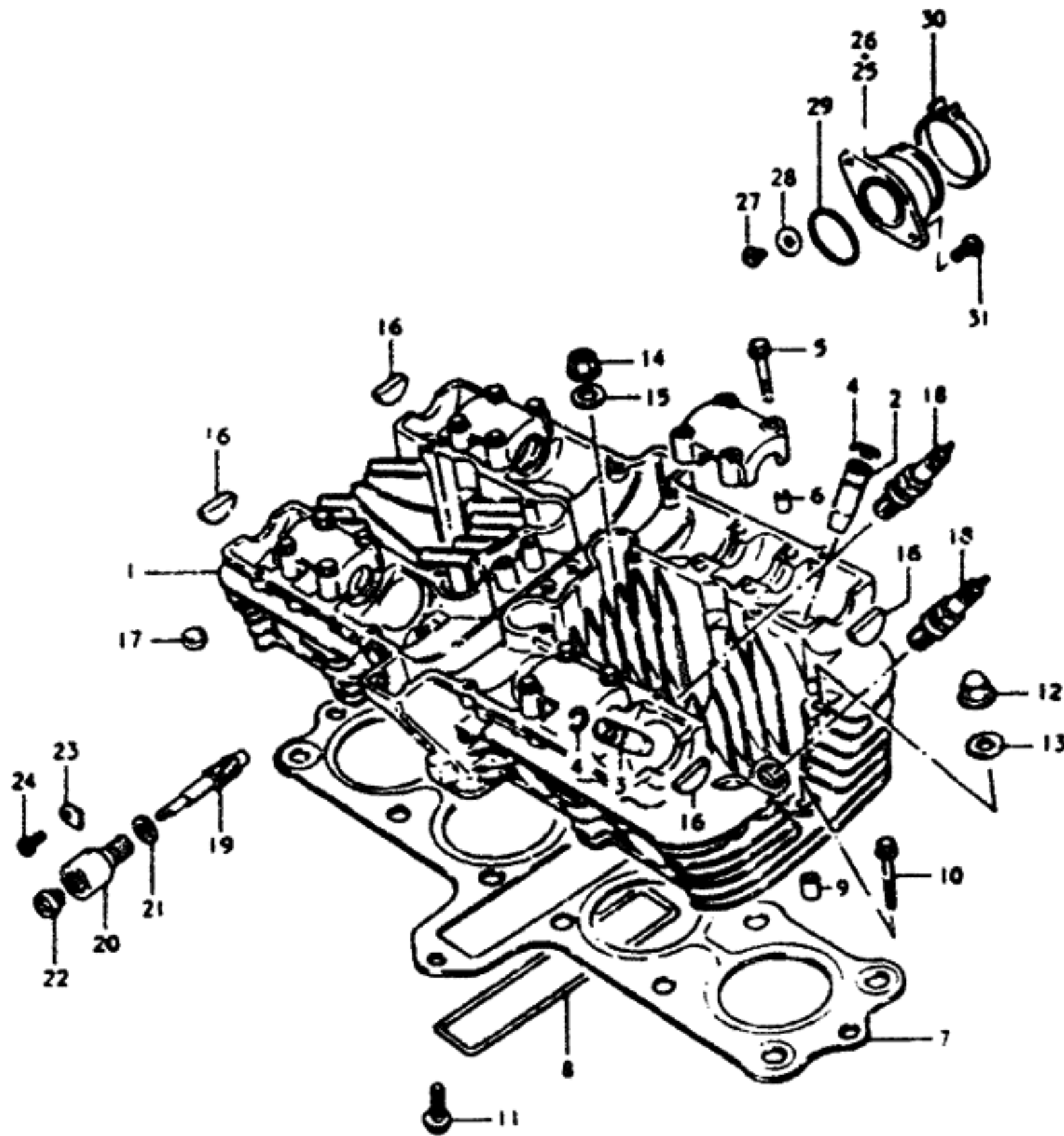


**FIG. 1 CYLINDER HEAD COVER**

Ref. No.	Part No.	Description	Qty	Remarks
1	11171-45000	COVER, cylinder head	1	
2	11173-45002	GASKET	1	
3	01517-06108	BOLT	16	
4-1	11174-45000	CAP, side	4	model T
4-2	11174-49000	CAP, side	4	model X
5	02132-05127	SCREW	8	
6	11176-45010	COVER, breather	1	
7	11177-45000	GASKET	1	
8	01517-06258	BOLT	4	
9	11186-45000	SEPARATER, oil (34x110)	2	
10	11187-45000	SEPARATER, oil (35x68)	2	

FIG.2

FIG.2 CYLINDER HEAD



Ref. No.	Part No.	Description	Qty	Remarks
1	11100-45830	CYLINDER HEAD SET	1	
2	11115-45740	·GUIDE, intake valve	4	
3	11116-45740	·GUIDE, exhaust valve	4	
4	09381-10003	·RING, valve guide	8	
5	09103-06026	·BOLT	16	
6	09206-08001	·PIN	3	
7	11141-49002	GASKET	1	
8	09280-99003	O R'NG	1	
9	04211-11189	PIN	2	
10	01517-06458	BOLT	2	
11	01517-06300	BOLT	1	
12	09159-10026	NUT	4	
13-1	09168-10017	GASKET	4	model T
13-2	09168-10019	GASKET	4	model X
14	08316-16108	W:IT	8	
15	09160-10039	WASHER	8	
16	09241-23002	PLUG, cylinder head side	4	
17	11152-45000	RUBBER PAD	18	
18-1	09482-00225	SPARK PLUG (.NGK, B8ES)	4	
18-2	09482-00196	SPARK PLUG (NU, W24ES-U)	4	
19	26431-45001	GEAR, tacho. driven (NT:10)	1	
20	26441-45000	SLEEVE	1	
21	26451-45000	SEAL BAND	1	
22	09289-05002	OIL SEAL	1	
23	26449-33000	PLATE, gear sleeve	1	
24	09128-05101	SCREW	1	
25	13110-45100	PIPE, intake RH	2	
26	13120-45100	PIPE, intake LH	2	
27	09106-05006	SCREW	4	
28	09168-05010	GASKET	4	
29	09280-38003	O RING	4	
30	09402-52306	CLAMP	4	
31	02112-06208	SCREW	8	

FIG. 3

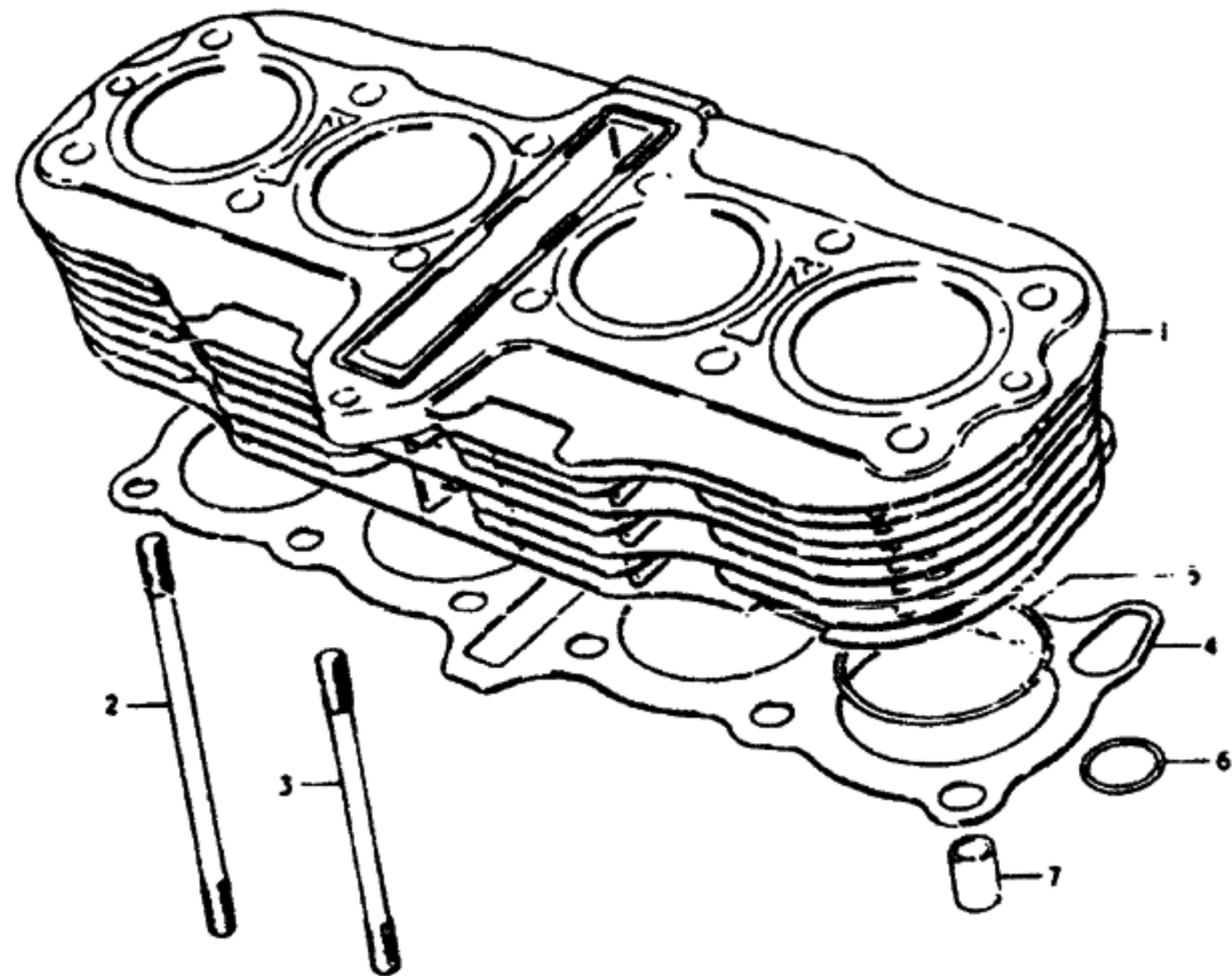
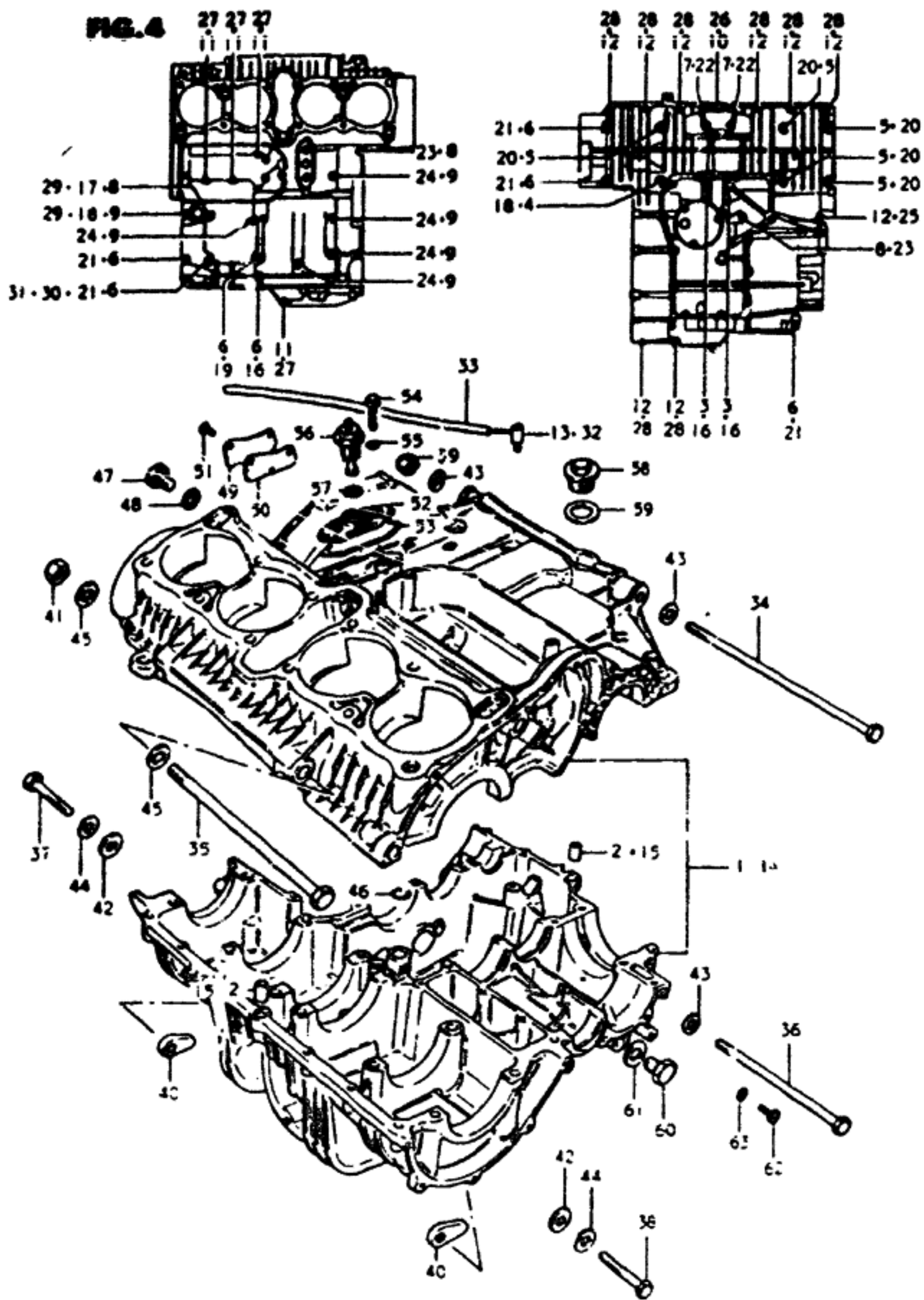


FIG. 3 CYLINDER

Ref. No.	Part No.	Description	Qty	Remarks
1	11210-45100	CYLINDER	1	
2	09108-10027	STUD BOLT	4	
3	09108-11028	STUD BOLT	8	
4	11241-45040	GASKET	1	
5	09280-70001	O RING	4	
6	09280-21004	O RING	2	
7	09206-13001	PIN	2	

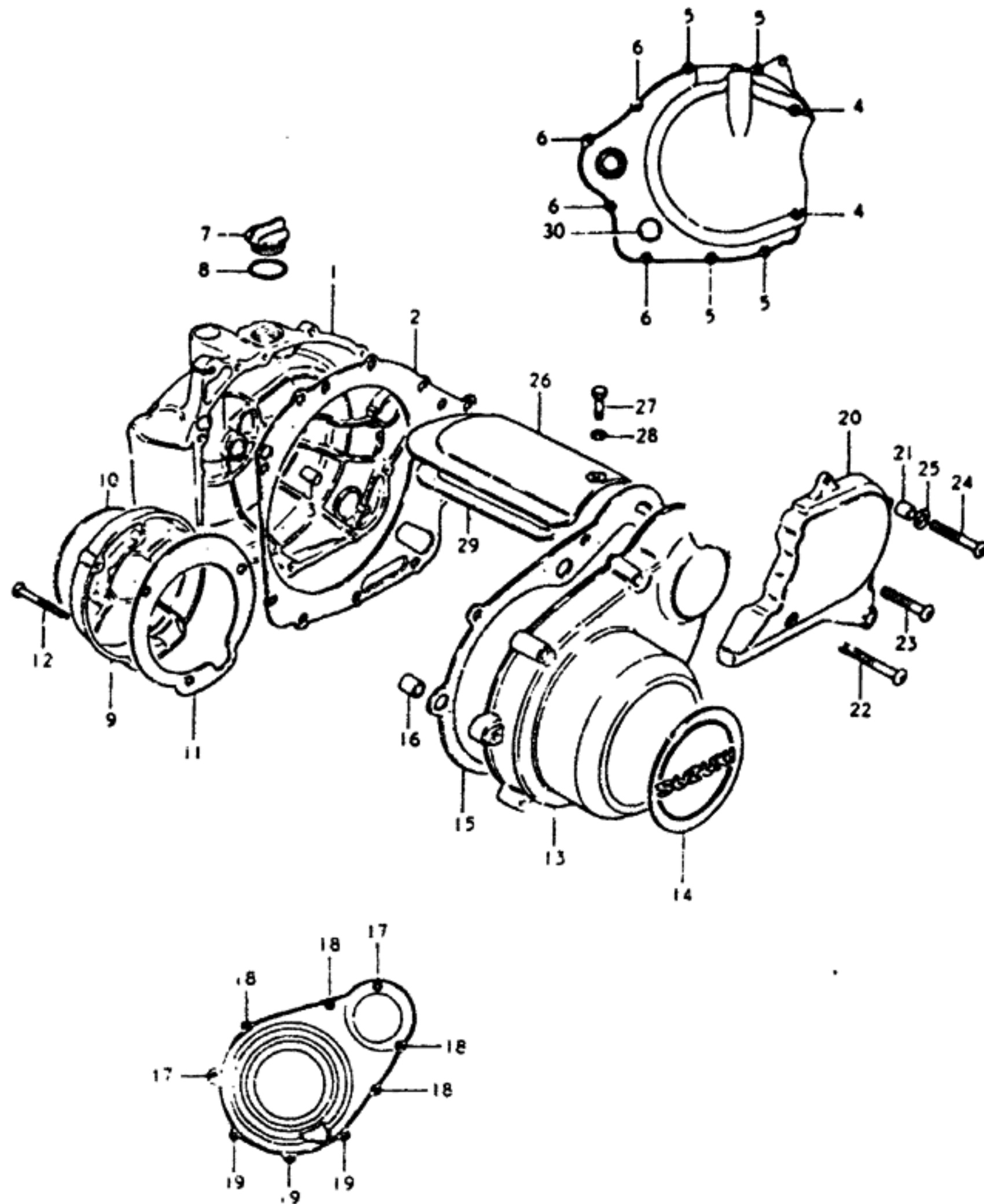
FIG. 4 CRANKCASE



Ref. No.	Part No.	Description	Qty	Remarks
1	11300-45821	CRANKCASE SET	1	model T
2	09206-13001	·PIN	2	
3	09103-08020	·BOLT (8x125)	2	
4	09103-08009	·BOLT (8x100)	1	
5	01517-08908	·BOLT (8x90)	5	
6	01517-08658	·BOLT (8x65)	7	
7	01517-08608	·BOLT (8x60)	2	
8	01517-06908	·BOLT (6x90)	3	
9	01517-06758	·BOLT (6x75)	6	
10	01517-06508	·BOLT (6x50)	1	
11	01517-06458	·BOLT (6x45)	4	
12	01517-06358	·BOLT (6x35)	9	
13	24821-45100	·PLUG, breather	1	
14	11300-45822	CRANKCASE SET	1	model X
15	09206-13001	·PIN	2	
16	09103-08020	·BOLT (8x125)	3	
17	09103-08046	·BOLT (8x110)	2	
18	09103-08009	·BOLT (8x100)	1	
19	09103-08023	·BOLT (8x105)	1	
20	01517-08908	·BOLT (8x90)	5	
21	01517-08658	·BOLT (8x65)	5	
22	01517-08608	·BOLT (8x60)	2	
23	01517-06908	·BOLT (6x90)	2	
24	01517-06758	·BOLT (6x75)	5	
25	01517-06558	·BOLT (6x55)	1	
26	01517-06508	·BOLT (6x50)	1	
27	01517-06458	·BOLT (6x45)	4	
28	01517-06358	·BOLT (6x35)	8	
29	08313-11088	·NUT	2	
30	08316-16088	·NUT	2	
31	09168-08008	·GASKET	2	
32	24821-45100	·PLUG, bevel gear breather	1	

FIG.5

FIG.5 CRANKCASE COVER

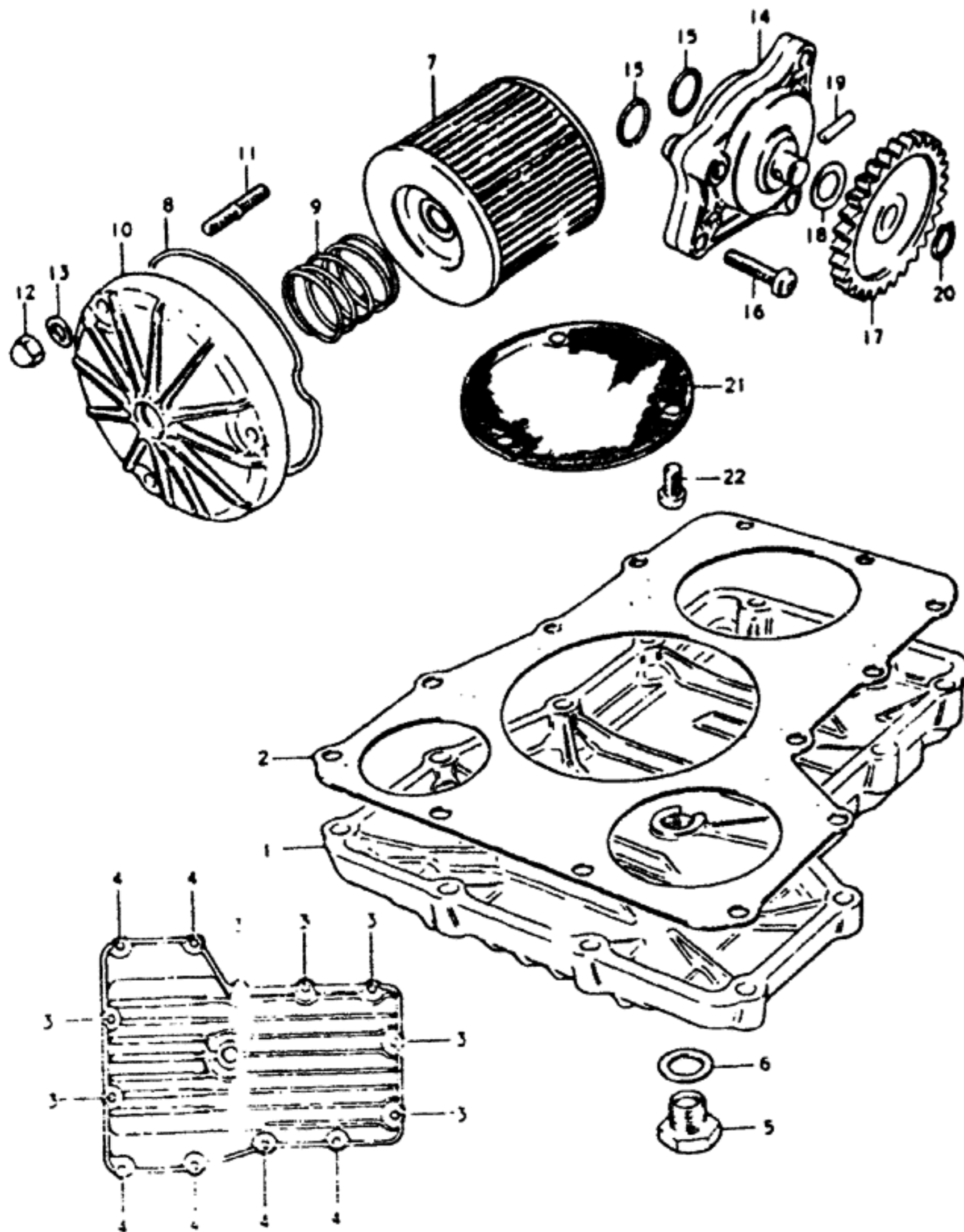


Ref. No.	Part No.	Description	Qty	Remarks
1	11340-45110	COVER, clutch	1	INC. 11971-45010
2	11482-45100	GASKET	1	
3	04211-09129	PIN	2	
4	02112-06658	SCREW (6x65)	2	
5	02112-06258	SCREW (6x25)	4	
6	02112-06208	SCREW (6x20)	4	
7	09259-30001	PLUG, engine oil filler	1	
8	09280-32005	O RING	1	
9	11381-49001	COVER, contact breaker	1	
10	68235-45100	EMBLEM	1	
11	11491-45000	GASKET	1	
12	02112-05308	SCREW (5x30)	3	
13	11351-45000	COVER, generator	1	
14	68233-45100	EMBLEM	1	
15	11483-45000	GASKET	1	
16	09206-13001	PIN	1	
17	02112-06458	SCREW (6x45)	2	
18	02112-06408	SCREW (6x40)	4	
19	02112-06358	SCREW (6x35)	3	
20	11360-45100	COVER, secondary drive unit	1	
21	04211-09129	PIN	1	
22	02112-06308	SCREW (6x30)	1	
23	02112-06208	SCREW (6x20)	2	
24	02112-06258	SCREW (6x25)	1	
25	08322-21068	WASHER	1	
26	11382-49002	COVER, starter motor	1	
27	01104-05108	BOLT (5x10)	2	
28	08322-21058	WASHER	2	
29	11493-45001	GASKET	1	
30	11971-45010	LENS, oil level	1	



FIG.6

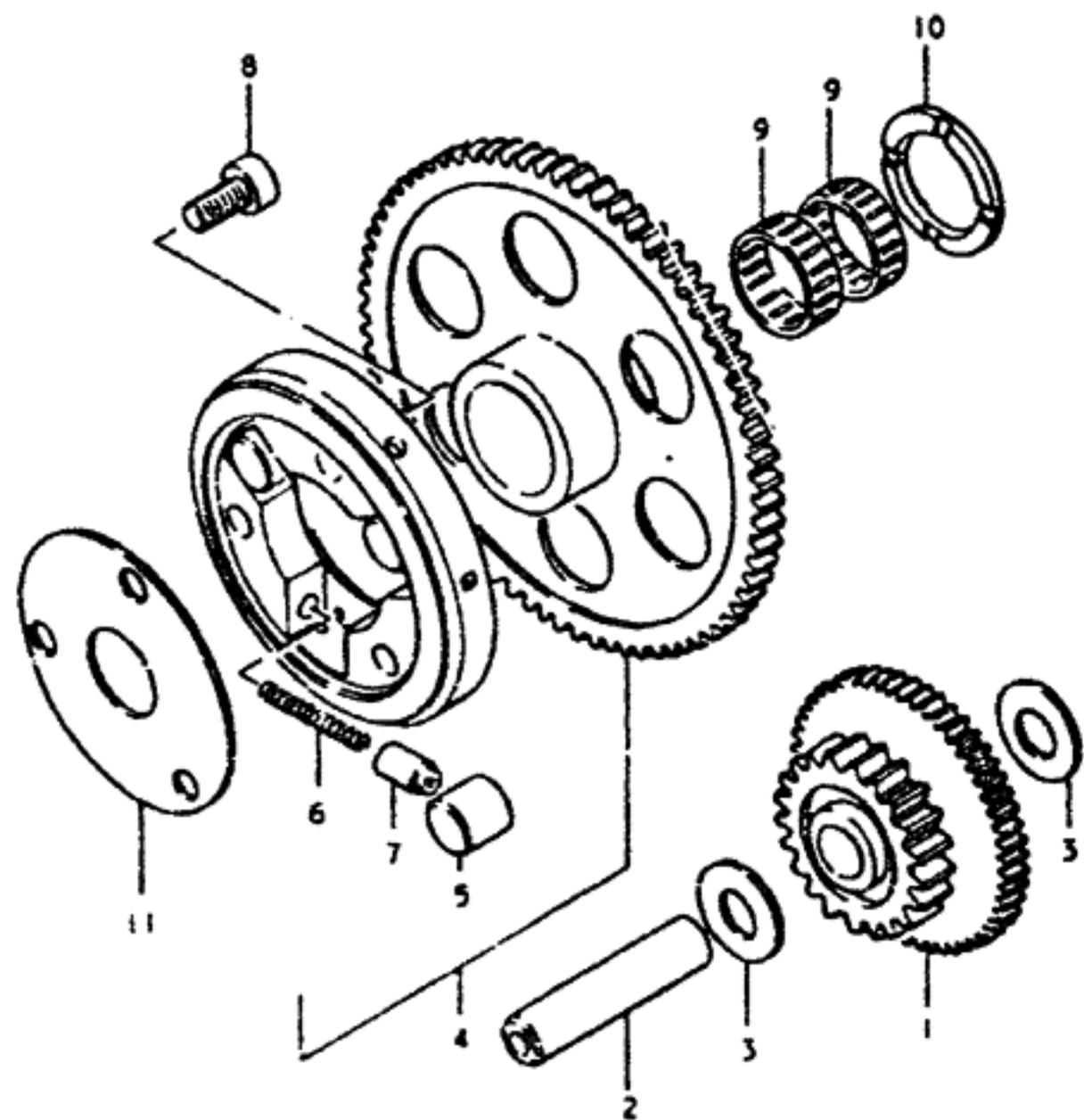
FIG.6 OIL PUMP - OIL FILTER



Ref. No.	Part No.	Description	Qty	Remarks
1	11511-45300	PAN, oil	1	
2	11489-45001	GASKET	1	
3	01517-06308	BOLT (6x30)	7	
4	01517-06258	BOLT (6x25)	6	
5	09247-14001	PLUG, oil drain	1	
6	09168-14004	GASKET	1	
7	16510-45040	FILTER, engine oil	1	
8	16518-45000	O RING	1	
9	09440-32004	SPRING	1	
10	16512-45100	CAP	1	
11	01421-06208	STUD BOLT	3	
12	08313-11038	NUT	3	
13	08322-21068	WASHER	3	
14-1	16400-49111	PUMP, engine oil	1	model T
14-2	16400-49012	PUMP, engine oil	1	model X
15	09280-13004	O RING	2	
16	02112-06258	SCREW	3	
17	16331-45990	GEAR, oil pump driven	1	NT:33
18	08221-10185	WASHER	1	
19	09261-04009	PIN	1	
20	08331-21109	CIRCLIP	1	
21	16520-45000	STRAINER, engine oil	1	
22	02112-06128	SCREW	2	



FIG. 8

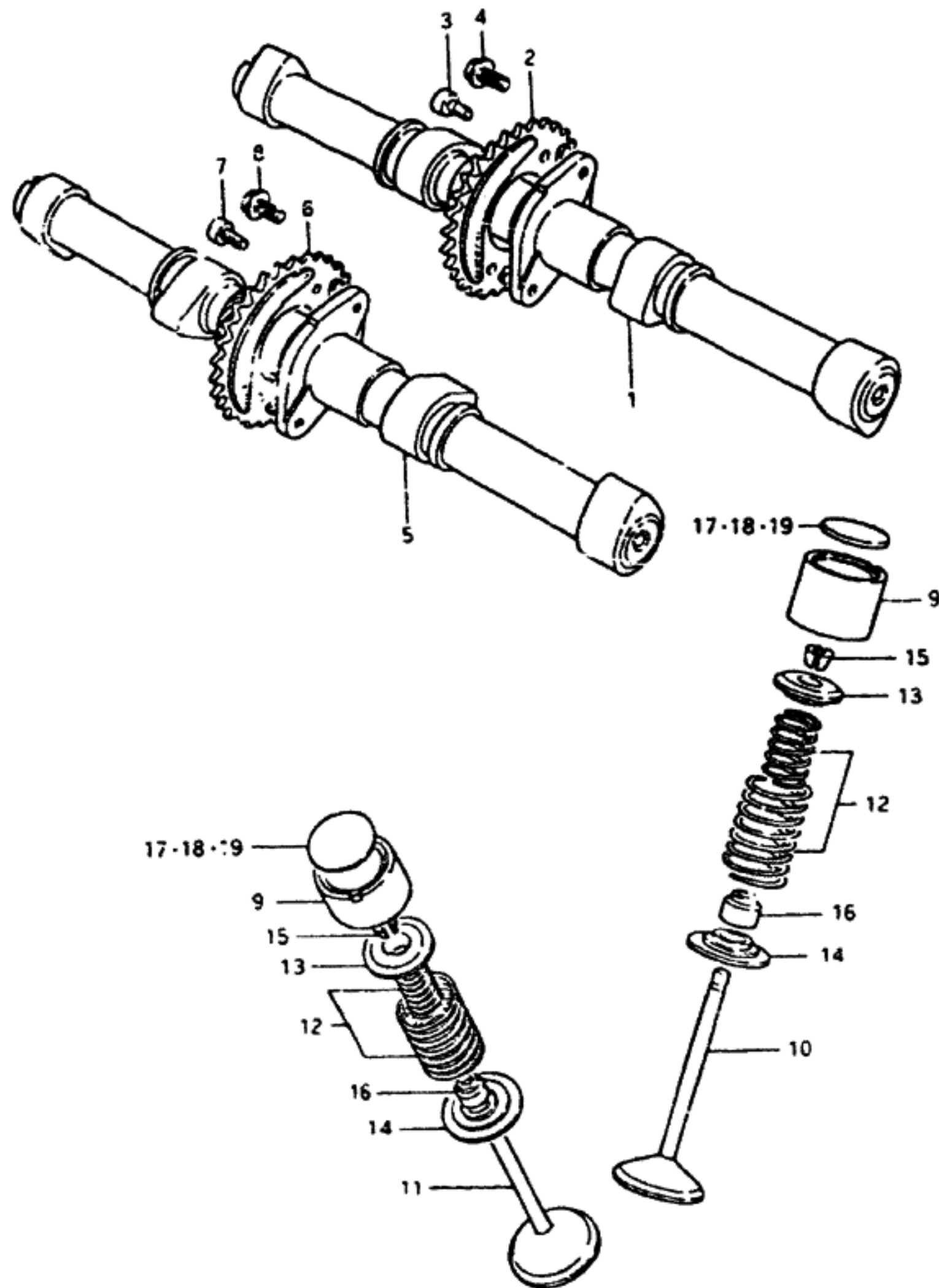


STARTER CLUTCH

Ref. No.	Part No.	Description	Qty	Remarks
1	12611-15000	GEAR, starter idle (NT:55/21)	1	
2	00206-13003	PIN	1	
3	09160-13003	WASHER	2	
4	12600-45820	STARTER CLUTCH SET	1	
5	09261-15001	ROLLER	3	
6	09440-04015	SPRING	3	
7	12633-31000	PIECE	3	
8	09106-08006	BOLT	3	
9	09263-25020	BEARING	2	
10	09160-25019	WASHER	1	
11	12649-45000	SHIM, starter clutch	1	

FIG. 9

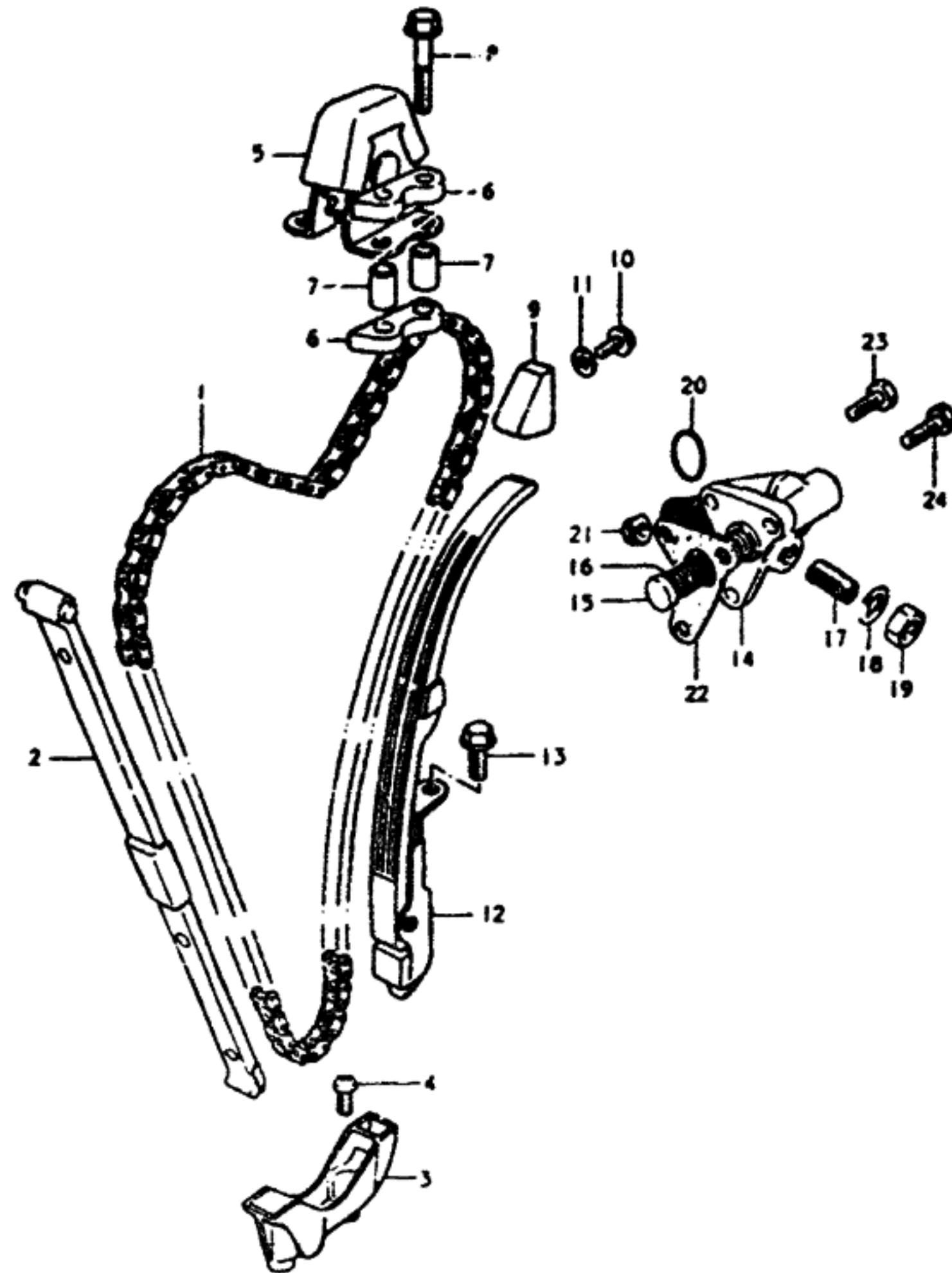
FIG. 9 CAM SHAFT - VALVE



Ref. No.	Part No.	Description	Qty	Remarks
1-1	12711-45110	CAM SHAFT, intake	1	6 screw
1-2	12711-45111	CAM SHAFT, intake	.	7 screw
2-1	12741-45110	SPROCKET	1	φ6
2-2	12741-45111	SPROCKET	1	φ7
3	09106-06024	BOLT	2	6 screw
4	09103-07001	BOLT	2	7 screw
5-1	12721-49000	CAM SHAFT, exhaust	1	6 screw
5-2	12721-49001	CAM SHAFT, exhaust	1	7 screw
6-1	12750-45040	SPROCKET	1	model T
6-2	12750-45051	SPROCKET	1	model X, φ6
6-3	12751-45002	SPROCKET	1	model X, φ7
7	09106-06024	BOLT	2	6 screw
8	09103-07001	BOLT	2	7 screw
9	12891-45000	TAPPET	8	
10	12911-45011	VALVE, intake	4	
11	12912-45011	VALVE, exhaust	4	
12	12900-45810	SPRING SET, valve	8	
13	12931-45000	RETAINER, spring	8	
14	12933-45001	SEAT, spring	8	
15	12932-45010	COTTER, valve	16	
16	09289-07002	OIL SEAL	8	
17-1	12892-45000	SHIM, tappet (T:2.15)	AR(0-8)	
17-2	12892-45001	SHIM, tappet (T:2.20)	AR(0-8)	
17-3	12892-45002	SHIM, tappet (T:2.25)	AR(0-8)	
17-4	12892-45003	SHIM, tappet (T:2.30)	AR(0-8)	
17-5	12892-45004	SHIM, tappet (T:2.35)	AR(0-8)	
17-6	12892-45005	SHIM, tappet (T:2.40)	AR(0-8)	
17-7	12892-45006	SHIM, tappet (T:2.45)	AR(0-8)	
17-8	12892-45007	SHIM, tappet (T:2.50)	AR(0-8)	
17-9	12892-45008	SHIM, tappet (T:2.55)	AR(0-8)	

**FIG. 10**

**FIG.10 CAM CHAIN**



Ref. No.	Part No.	Description	Qty	Remarks
1	12780-45040	CHAIN, cam. shaft drive (120L)	1	
2-1	12771-45051	GUIDE, cam chain No.1	1	model T
2-2	12771-45052	GUIDE, cam chain No.1	1	model X
3	12776-45001	HOLDER, cam chain guide	1	
4	02112-06208	SCREW	2	
5	12780-45050	IDLER, cam chain	1	
6	12788-45050	CUSHION	4	
7	09180-06060	SPACER	4	
8	01517-06308	BOLT	4	
9	12791-45040	GUIDE, cam chain No.2	1	
10	01517-06128	BOLT	2	
11	09168-06009	WASHER	2	
12	12810-45040	TENSIONER, cam chain	1	
13	01517-08168	BOLT	1	
14	12830-45002	ADJUSTER ASSY, tensioner	1	
15	12833-45001	-PUSH ROD	1	
16	09440-12017	-SPRING	1	
17	12838-45001	-SCREW	1	
18	08322-11088	-WASHER	1	
19	08310-12088	-NUT	1	
20	09280-06003	-O RING	1	
21	09159-06017	-NUT	1	
22	12837-45000	GASKET	1	
23	09128-06024	BOLT	2	
24	09128-06017	BOLT	1	

FIG. 11

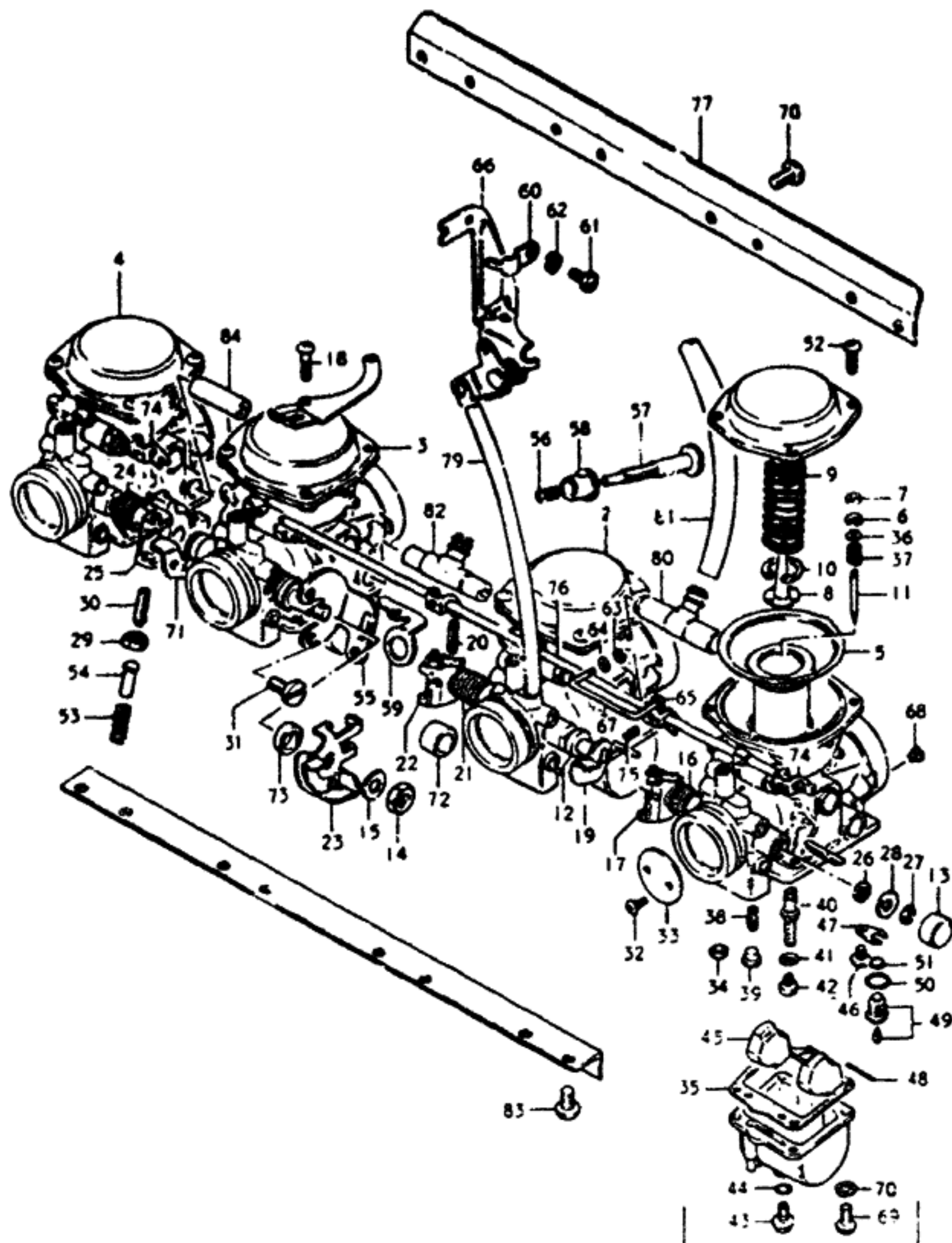
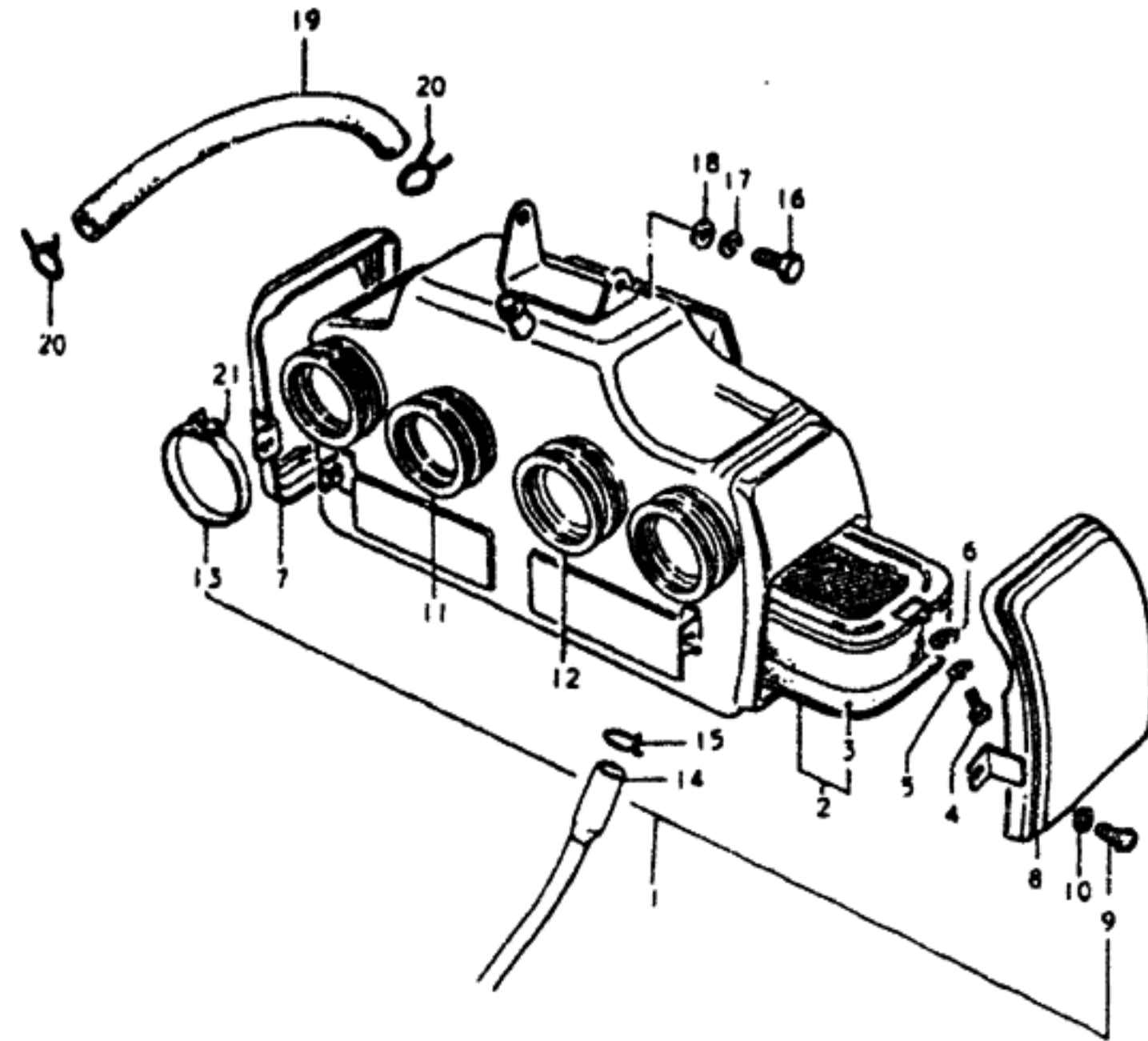


FIG. 11 CARBURETOR

Ref. No.	Part No.	Description	Q'ty	Remarks
	13200-45110	CARBURETOR ASSY	1	
1	13201-45110	•CARBURETOR, No. 1	1	LH
2	13202-45110	•CARBURETOR, No. 2	1	ML
3	13203-45110	•CARBURETOR, No. 3	1	MR
4	13204-45110	•CARBURETOR, No. 4	1	RH
5	13500-45110	••DIAPHRAGM	4	
6	13394-31210	••E RING	4	
7	13387-44030	••RING	4	
8	13389-44030	••GUIDE HOLDER	4	
9	13503-44080	••SPRING	4	
10	13581-44030	••CLIP	4	
11	13383-45110	••NEEDLE, jet (5D50)	4	
12	13557-95210	••GASKET	2	ML,MR
13	13578-47070	••CAP	2	RH,LH
14	08310-12088	••NUT	1	MR
15	13606-47070	••WASHER	1	MR
16	13573-47070	••SPRING	1	LH
17	13550-47070	••SHAFT	1	LH
18	02111-05158	••SCREW	3	ML:1,MR:2
19	13550-45110	••SHAFT	1	ML
20	13563-47070	••PIN	3	LH,ML,RH
21	13573-45110	••SPRING	1	ML
22	13553-47070	••LEVER	1	ML
23	13555-47070	••LEVER	1	MR
24	13573-47080	••SPRING	2	MR,RH
25	13550-47090	••SHAFT	1	RH
26	13556-31210	••SEAL	8	
27	13617-44080	••E RING	2	LH,RH
28	13557-47070	••GASKET	2	LH,RH
29	13607-47070	••NUT	3	LH,ML,RH
30	13605-47070	••SCREW	3	LH,ML,RH
31	13605-45110	••SCREW	2	R

FIG. 12

FIG. 12 AIR CLEANER



Ref. No.	Part No.	Description	Qty	Remarks
1	13700-45030	CLEANER ASSY, air	1	
2	13700-45010	·FILTER	1	
3	13781-45010	··ELEMENT	1	
4	02112-05108	·SCREW	1	
5	08321-21058	·LOCK WASHER	1	
6	08322-21058	·WASHER	1	
7	13741-45030	·COVER, RH	1	
8	13742-45030	·COVER, LH	1	
9	02112-05108	·SCREW	4	
10	08322-21058	·WASHER	4	
11	13881-45030	·HOSE, RH	2	
12	13882-45030	·HOSE, LH	2	
13	09402-58205	·CLAMP	4	
14-1	13729-45010	·HOSE, drain (φ4xφ8)	1	
14-2	13729-45011	·HOSE, drain (φ4xφ6)	1	
15-1	13726-45010	·CLIP (φ8)	1	
15-2	13726-45011	·CLIP (φ6)	1	
16	01107-06128	BOLT	2	
17	08321-21068	LOCK WASHER	2	
18	08322-11068	WASHER	2	
19	09343-11001	HOSE, breather (11x15x250)	1	
20	09401-15301	CLIP	2	

FIG. 13

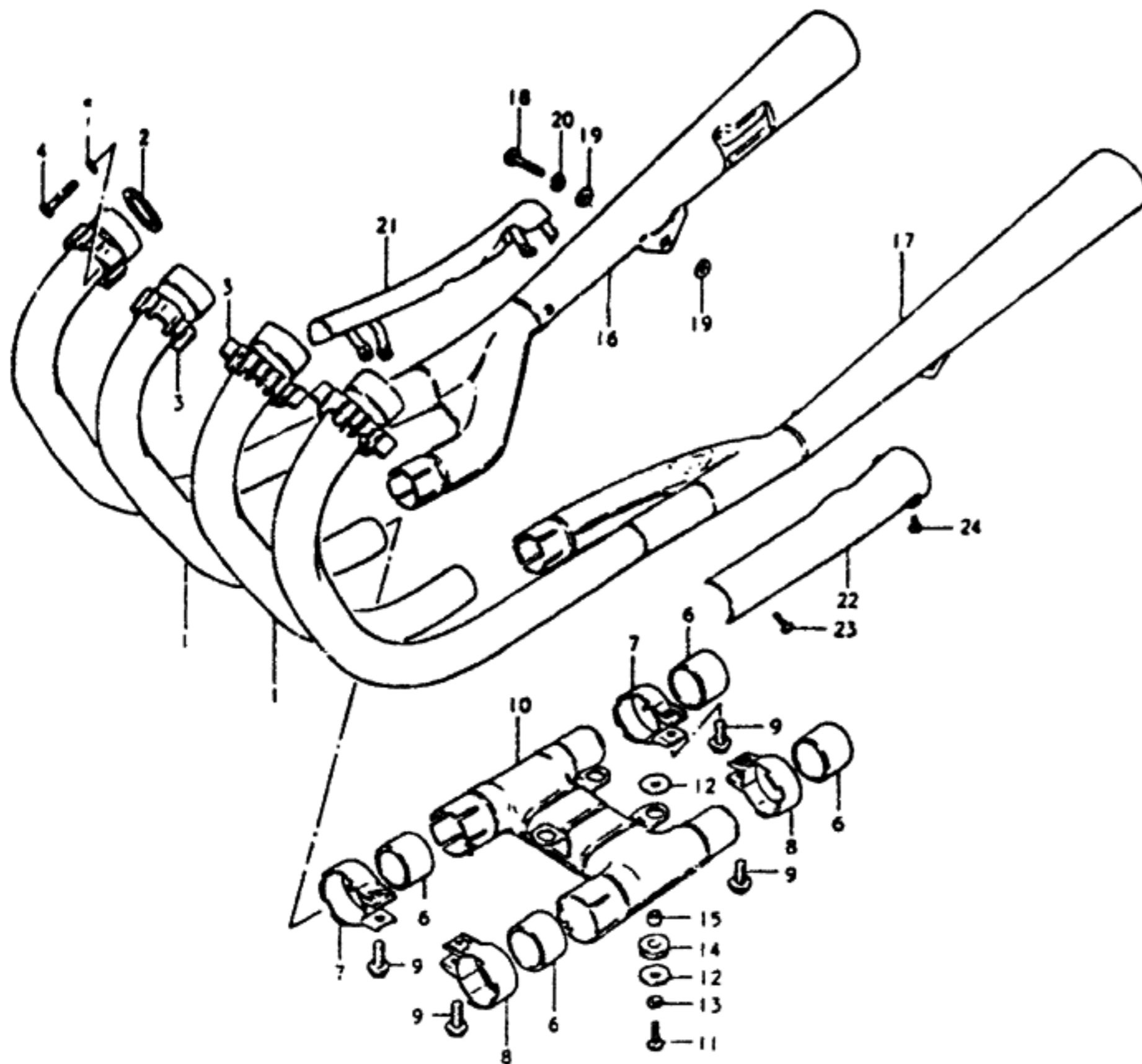
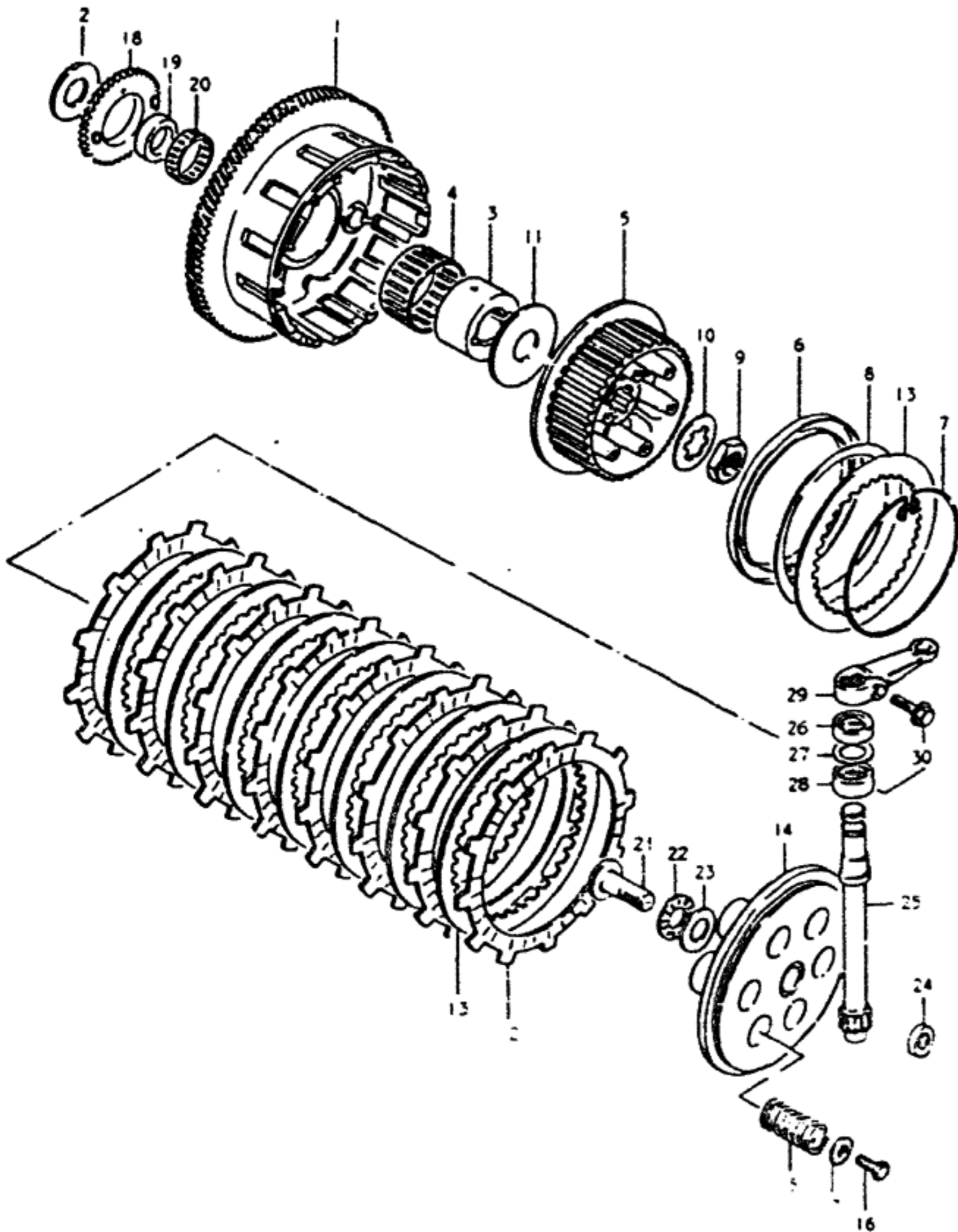


FIG. 13 MUFFLER

Ref. No.	Part No.	Description	Qty	Remarks
1	14170-45200	PIPE, exhaust center	2	
2	14181-11010	GASKET	4	
3	14182-44000	CLAMP	2	
4	01107-08358	BOLT	8	
5	08321-21088	LOCK WASHER	8	
6	14771-44011	CONNECTOR, muffler	4	
7	14459-44000	CLAMP, connector RH	2	
8	14469-44000	CLAMP, connector LH	2	
9	01517-08258	BOLT	4	
10	14210-45201	PRE-MUFFLER	1	
11	01304-06308	BOLT	3	
12	09160-06004	WASHER	6	
13	08321-21088	LOCK WASHER	3	
14	00320-10014	CUSHION	3	
15	09180-06082	SPACER	3	
16	14310-45110	MUFFLER, RH	1	
17	14340-45110	MUFFLER, LH	1	
18	01107-10308	BOLT	2	
19	08322-21108	WASHER	4	
20	08321-21108	LOCK WASHER	2	
21-1	14780-45201	COVER, RH	1	model T
21-2	14780-45202	COVER, muffler RH	1	model X
22-1	14790-45200	COVER, LH	1	model T
22-2	14790-45201	COVER, muffler LH	1	model X
23	02112-05168	SCREW	2	
24	02112-05068	SCREW	4	

FIG.14



Ref. No.	Part No.	Description	Qty	Remarks
1	21200-45100	GEAR, primary driven (NT:87)	1	
2	09160-2502	WASHER	1	
3	21251-4500	SPACER	1	
4	09263-51001	BEARING	1	
5	21411-45100	HUB, sleeve	1	
6	21471-45100	SEAT, wave washer	1	
7	21481-45100	STOPPER RING	1	
8	09164-00003	WASHER, wave	1	
9	09140-24004	NUT	1	
10	09167-25007	WASHER	1	
11	09160-25022	WASHER	1	
12	21441-45100	PLATE, drive	8	
13	21451-31000	PLATE, driven	8	
14	21462-45100	DISC, pressure	1	
15-1	09440-19003	SPRING	6	model T
15-2	09440-19013	SPRING	6	model A
16	01107-06168	BOLT	6	
17	09160-06020	WASHER	6	
18	16321-49990	GEAR, oil pump drive (NT:34)	1	
19	16325-45001	SPACER	1	
20	09263-36002	BEARING	1	
21	23165-45101	RACK, release	1	
22	09263-15003	BEARING	1	
23	09160-15015	WASHER	1	
24	09285-10003	OIL SEAL	1	
25	23261-49001	PINION, release	1	
26	09285-12002	OIL SEAL	1	
27	09160-14003	WASHER	1	
28	09263-15010	BEARING	1	
29	23271-49001	ARM, release	1	
30	01517-06208	BOLT	1	

FIG. 15

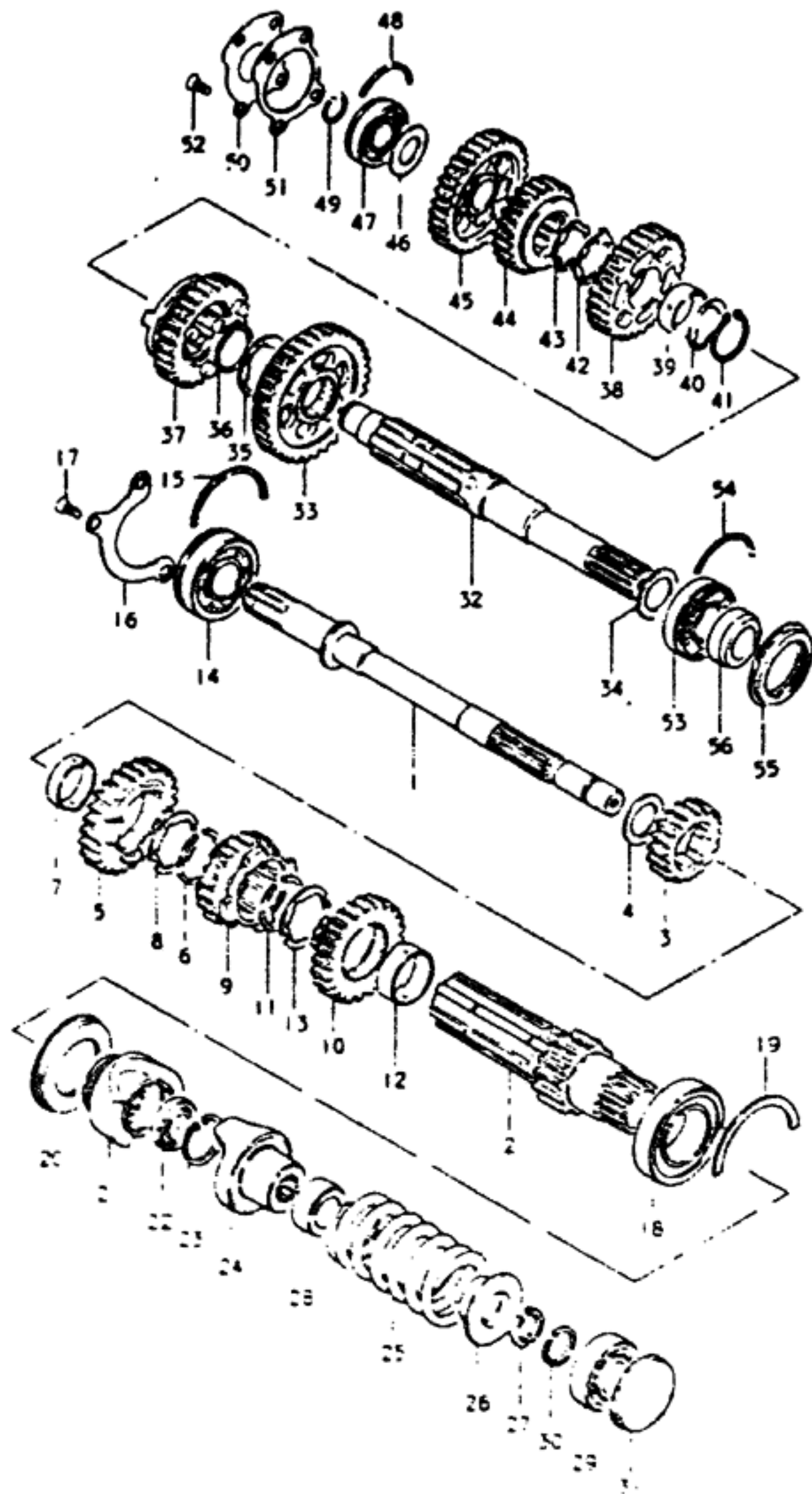


FIG. 15 TRANSMISSION

Ref. No.	Part No.	Description	Qty	Remarks
1	24121-45102	COUNTERSHAFT, inner	1	
2	24141-45102	COUNTERSHAFT, outer	1	NT:14
3-1	24221-45101	GEAR, 2nd drive (NT:18)	1	model T
3-2	24221-45102	GEAR, 2nd drive (NT:18)	1	model X
4	09160-21010	WASHER	1	
5	24250-45102	GEAR, 5th drive (NT:26)	1	
6	09380-32002	RING	1	
7	24242-45100	SPACER	1	
8	24243-45101	LOCK WASHER	1	
9	24231-45103	GEAR, 3rd drive (NT:21)	1	
10	24240-45100	GEAR, 4th drive (NT:21)	1	
11	09380-32002	RING	1	
12	24242-45100	SPACER	1	
13	24243-45101	LOCK WASHER	1	
14	09262-25051	BEARING, RH	1	
15	09390-62006	C RING	1	
16	24741-45000	HOLDER, bearing	1	
17	02122-06168	SCREW	3	
18	09262-32003	BEARING, middle	1	
19	09390-52004	C RING	1	
20	09283-40005	OIL SEAL	1	
21	22521-45101	DOG, out put cam	1	
22	09283-20032	OIL SEAL	1	
23	08331-21329	CIRCLIP	1	
24	22511-45102	DOG, input cam	1	
25	09440-35002	SPRING	1	
26	22531-45100	SLIDING STOPPER	1	
27	22541-45100	STOPPER	2	
28	22551-45101	GUIDE, spring	1	
29	09262-17008	BEARING, LH	1	
30	09180-17052	SPACER	1	
31	09241-40003	PLUG	1	



FIG. 16

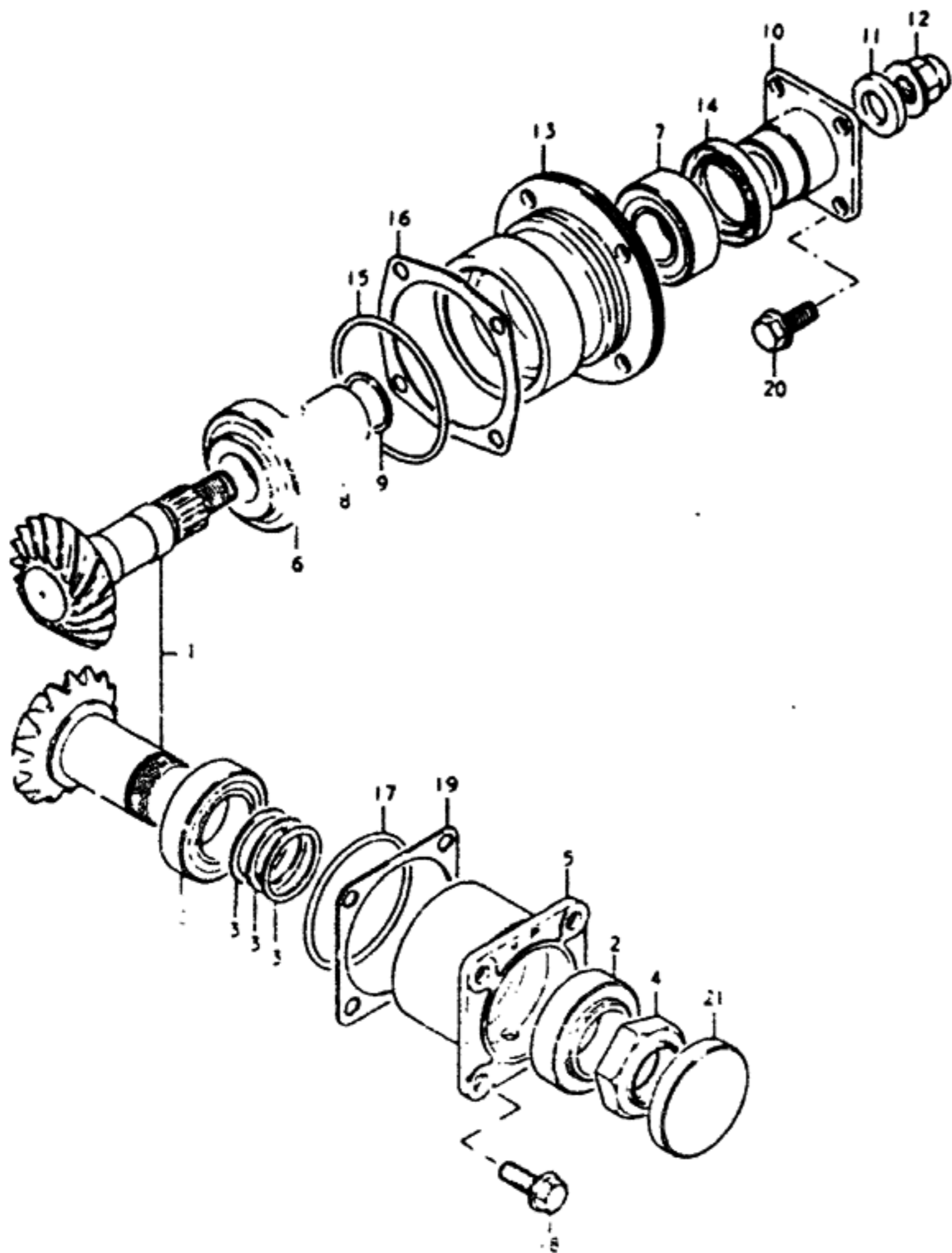
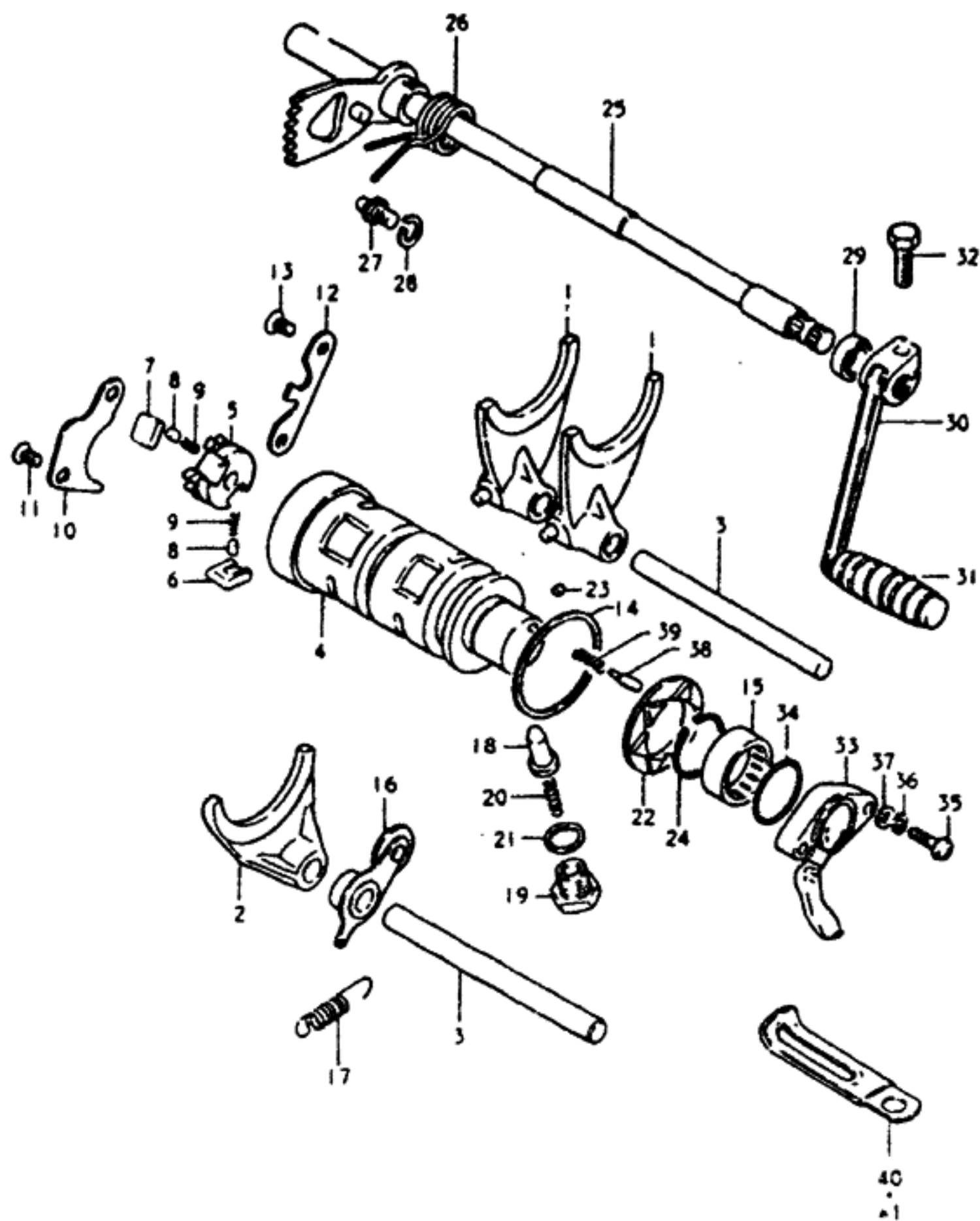


FIG. 16 SECONDARY DRIVE GEAR

Ref. No.	Part No.	Description	Q'ty	Remarks
	24900-45820	2ND. GEAR & HOUSING SET	1	model T
	24300-45830	2ND. GEAR & HOUSING SET	1	model X
1-1	24900-45816	•SECONDARY GEAR SET	1	model T, NT:16/17
1-2	24900-45811	•SECONDARY GEAR SET	1	model X, NT:16/17
2	09265-32001	•BEARING	2	
3-1	09181-32001	•SHIM (T:1.60)	AR(0~3)	
3-2	09181-32002	•SHIM (T:1.62)	AR(0~3)	
3-3	09181-32003	•SHIM (T:1.64)	AR(0~3)	
3-4	09181-32004	•SHIM (T:1.66)	AR(0~3)	
3-5	09181-32005	•SHIM (T:1.68)	AR(0~3)	
3-6	09181-32006	•SHIM (T:1.70)	AR(0~3)	
3-7	09181-32007	•SHIM (T:1.80)	AR(0~3)	
3-8	09181-32008	•SHIM (T:1.90)	AR(0~3)	
3-9	09181-32009	•SHIM (T:2.00)	AR(0~3)	
4	09159-32001	•NUT	1	
5	24931-45100	•HOUSING, drive gear	1	
6	09265-25012	•BEARING, front	1	
7	09265-25011	•BEARING, rear	1	
8	09180-25056	•SPACER	1	
9-1	09181-25006	•SHIM (T:1.60)	AR(0~3)	
9-2	09181-25007	•SHIM (T:1.62)	AR(0~3)	
9-3	09181-25008	•SHIM (T:1.64)	AR(0~3)	
9-4	09181-25009	•SHIM (T:1.66)	AR(0~3)	
9-5	09181-25010	•SHIM (T:1.68)	AR(0~3)	
9-6	09181-25011	•SHIM (T:1.70)	AR(0~3)	
9-7	09181-25012	•SHIM (T:1.80)	AR(0~3)	
9-8	09181-25013	•SHIM (T:1.90)	AR(0~3)	
9-9	09181-25014	•SHIM (T:2.00)	AR(0~3)	
10-1	24951-45101	•FLANGE, universal joint	1	model T
10-2	24951-49100	•FLANGE, universal joint	1	model X
11	09160-14021	•WASHER	1	
12	09159-14010	•NUT	1	
13	24941-45101	•HOUSING, driven bevel gear	1	
14	09283-35018	•OIL SEAL	1	

FIG.17

FIG.17 GEAR SHIFTING



Ref. No.	Part No.	Description	Qty	Remarks
1-1	25211-34000	FORK, driven gear shifting	2	~E.No.135856
1-2	25211-49200	FORK, driven gear shifting	2	E.No.135857~
2	25231-45100	FORK, drive gear shifting	1	3rd
3	25411-31000	SHAFT, gear shifting fork	2	
4	25310-45101	CAM, gear shifting	1	
5	25322-11000	GEAR, cam driven	1	
6	25323-11000	PAWL, No.1	1	
7	25324-11000	PAWL, No.2	1	
8	09261-05003	PIN	2	
9	09440-04003	SPRING	2	
10	25331-11001	LIFTER, pawl	1	
11	02122-06128	SCREW	2	
12	25341-18000	GUIDE, cam	1	
13	02122-06128	SCREW	2	
14	09160-40001	WASHER	1	
15	09263-25018	BEARING	1	
16	25350-45100	STOPPER, cam	1	
17	09443-09006	SPRING	1	
18-1	25351-30010	STOPPER, cam	1	~E.No.135856
18-2	25351-34200	STOPPER, cam	1	E.No.135857~
19	25354-30000	HOLDER, stopper	1	
20-1	09440-06018	SPRING	1	~E.No.135856
20-2	09440-06020	SPRING	1	E.No.135857~
21	09168-14004	GASKET	1	
22-1	25381-450X0	PLATE, stopper	1	~E.No.135856
22-2	25381-454X0	PLATE, stopper	1	E.No.135857~
23	06211-04063	PIN	1	
24	08331-11258	CIRCLIP	1	
25	25510-45100	SHAFT, gear shifting	1	
26-1	09444-26012	SPRING	1	~E.No.135856
26-2	09444-26017	SPRING	1	E.No.135857~
27	25671-01000	STOPPER, arm	1	
28	09162-08005	LOCK WASHER	1	
29	09285-12002	OIL SEAL	1	

FIG. 18

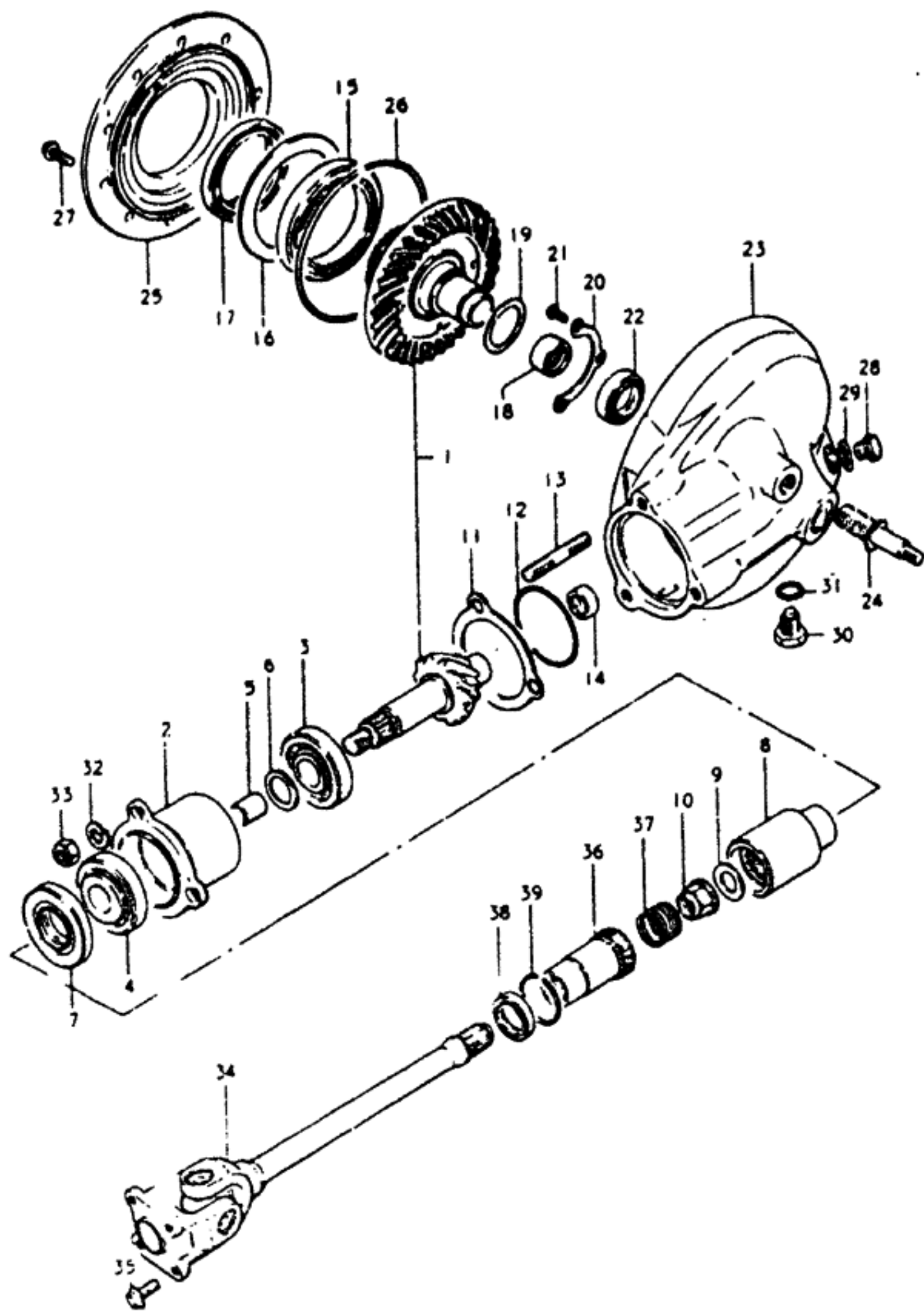


FIG. 18 PROPPELLER SHAFT - FINAL DRIVE GEAR

Ref. No.	Part No.	Description	Q'ty	Remarks
	27300-45820	FINAL GEAR & CASE SET	1	model T
	27300-45821	FINAL GEAR & CASE SET	1	model X
1-1	27300-45810	FINAL GEAR SET (NT:11/34)	1	model T
1-2	27300-45811	FINAL GEAR SET (NT:11/34)	1	model X
2	27441-45100	HOUSING, drive bevel gear	1	
3	09265-25013	BEARING, rear	1	
4	09265-25014	BEARING, front	1	
5	09180-25057	SPACER	1	
6-1	09181-25006	SHIM (T:1.60)	AR(0~3)	
6-2	09181-25007	SHIM (T:1.62)	AR(0~3)	
6-3	09181-25008	SHIM (T:1.64)	AR(0~3)	
6-4	09181-25009	SHIM (T:1.66)	AR(0~3)	
6-5	09181-25010	SHIM (T:1.68)	AR(0~3)	
6-6	09181-25011	SHIM (T:1.70)	AR(0~3)	
6-7	09181-25012	SHIM (T:1.80)	AR(0~3)	
6-8	09181-25013	SHIM (T:1.90)	AR(0~3)	
6-9	09181-25014	SHIM (T:2.00)	AR(0~3)	
7	09283-32017	OIL SEAL	1	
8	27172-45100	COUPLING, final drive gear	1	
9	09160-14021	WASHER	1	
10	09159-14010	NUT	1	
11-1	27445	SHIM (T:0.15)	AR(0~2)	
11-2	27445-45102	SHIM (T:0.30)	AR(0~2)	
11-3	27445-45101	SHIM (T:0.35)	AR(0~2)	
11-4	27445-45103	SHIM (T:0.40)	AR(0~2)	
12	09280-63004	O RING	1	
13	01421-10308	STUD BOLT	3	
14	09263-24012	BEARING	1	
15	09262-70001	BEARING, RH	1	
16-1	27327-45100	SHIM (T:0.35)	AR(0~2)	
16-2	27327-45102	SHIM (T:0.40)	AR(0~2)	
16-3	27327-45103	SHIM (T:0.50)	AR(0~2)	
16-4	27327-45104	SHIM (T:0.60)	AR(0~2)	
17	09289-70001	OIL SEAL	1	
18	09263-35004	BEARING, LH	1	

FIG. 19

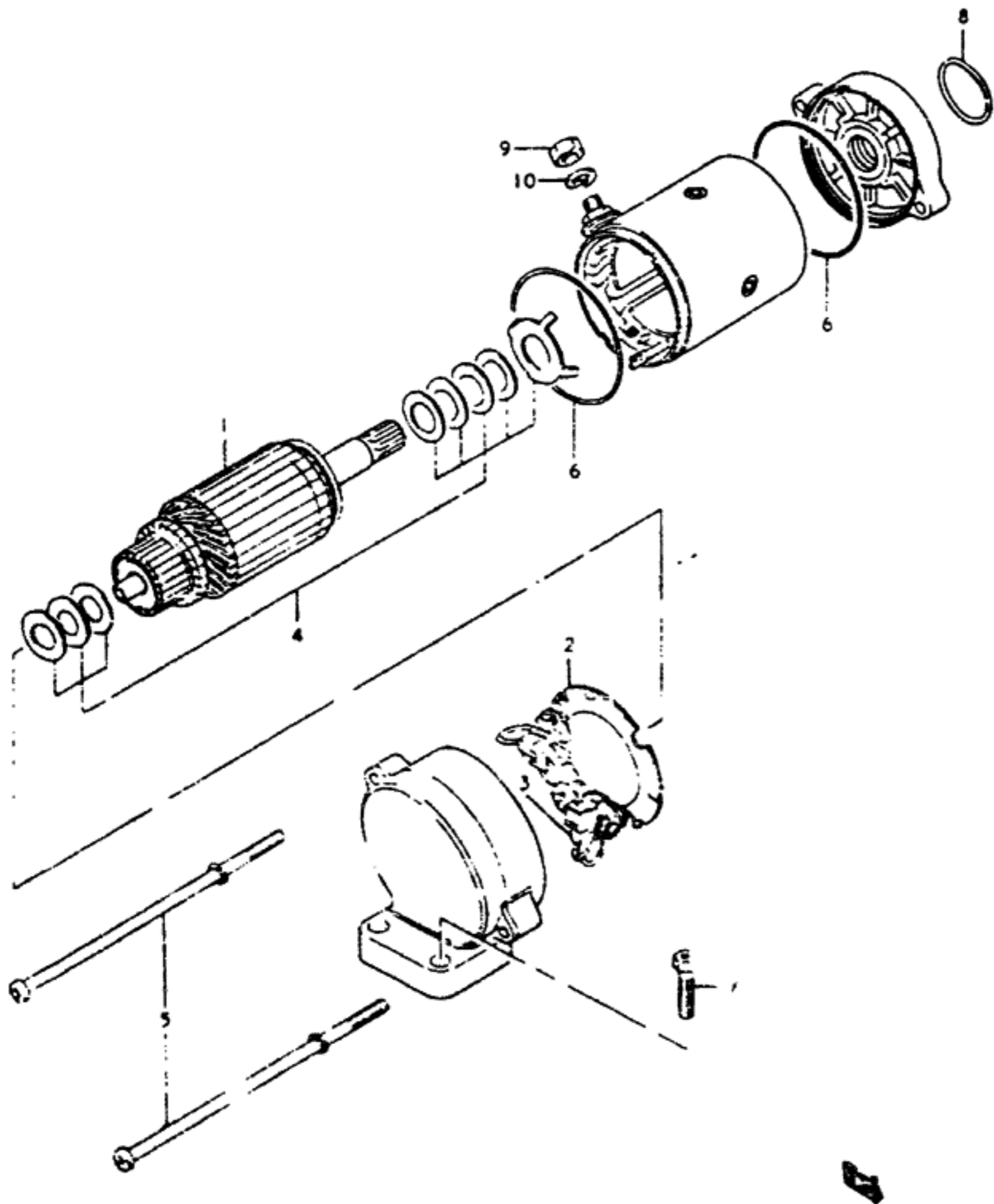
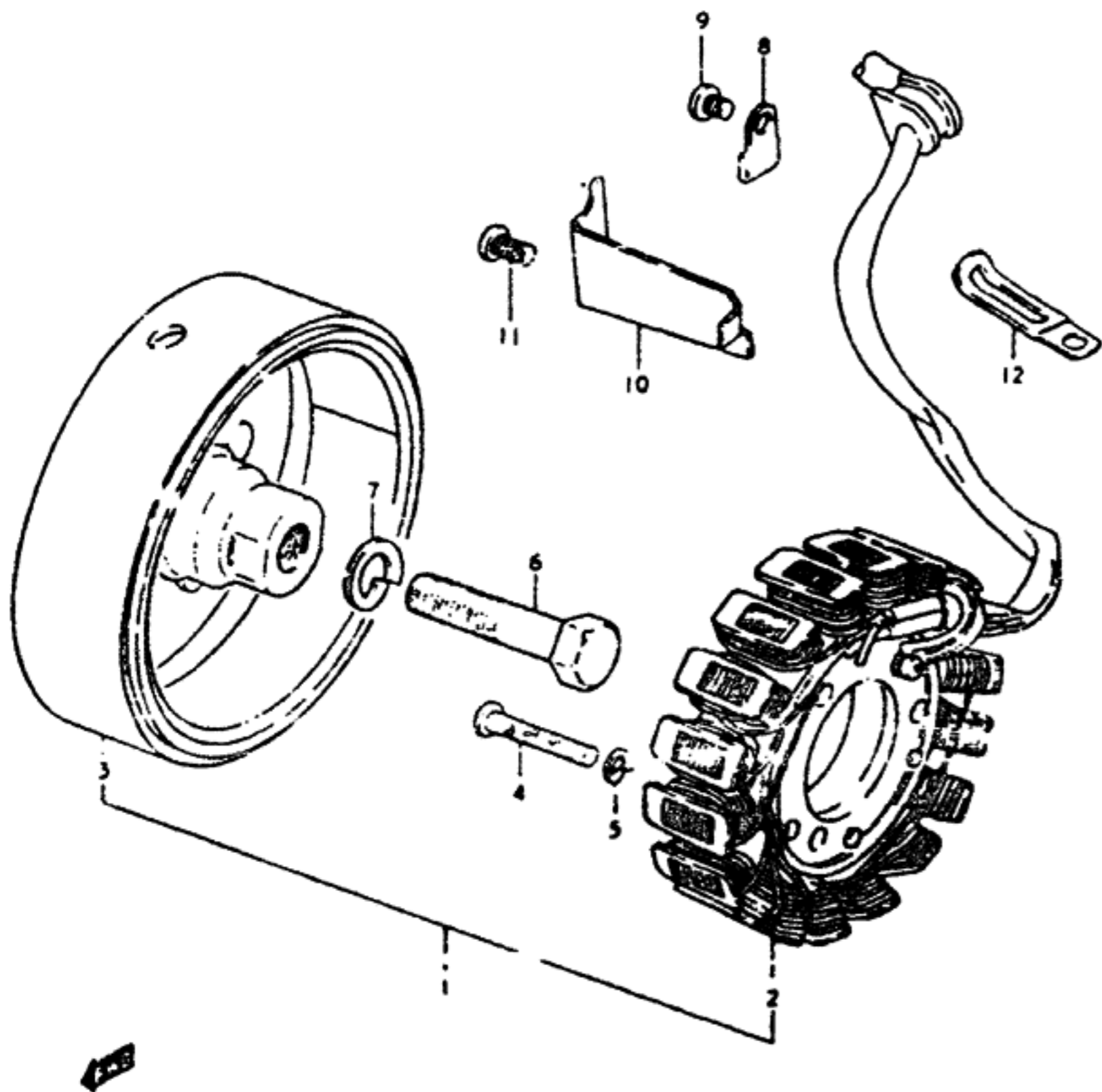


FIG. 19 STARTING MOTOR

Ref. No.	Part No.	Description	Qty	Remarks
	31100-45040	MOTOR ASSY, starting	1	Mitsuba
1	31311-31040	ARMATURE	1	
2	31173-31040	HOLDER, brush	1	
3	31131-31040	BRUSH SET (2pcs./set.)	1	
4	31361-31040	SHIM SET	1	
5	31281-31040	BOLT SET	1	
6	31264-31040	O RING	2	
7	09128-06024	BOLT	2	
8	09280-24001	O RING	1	
9	08310-22068	NUT	1	
10	08321-21068	LOCK WASHER	1	

FIG. 20

FIG. 20 GENERATOR



Ref. No.	Part No.	Description	Qty	Remarks
1	31400-45110	GENERATOR ASSY	1	
2	31401-45110	·STATOR	1	
3	31402-45110	·ROTOR	1	
4	02112-05308	SCREW	3	
5	08321-21058	LOCK WASHER	3	
6	01107-12458	BOLT	1	
7	08321-21128	LOCK WASHER	1	
8	31497-45000	CLAMP	2	
9	02112-05068	SCREW	2	
10	31498-45000	CLAMP	1	
11	02112-06108	SCREW	1	

FIG. 21

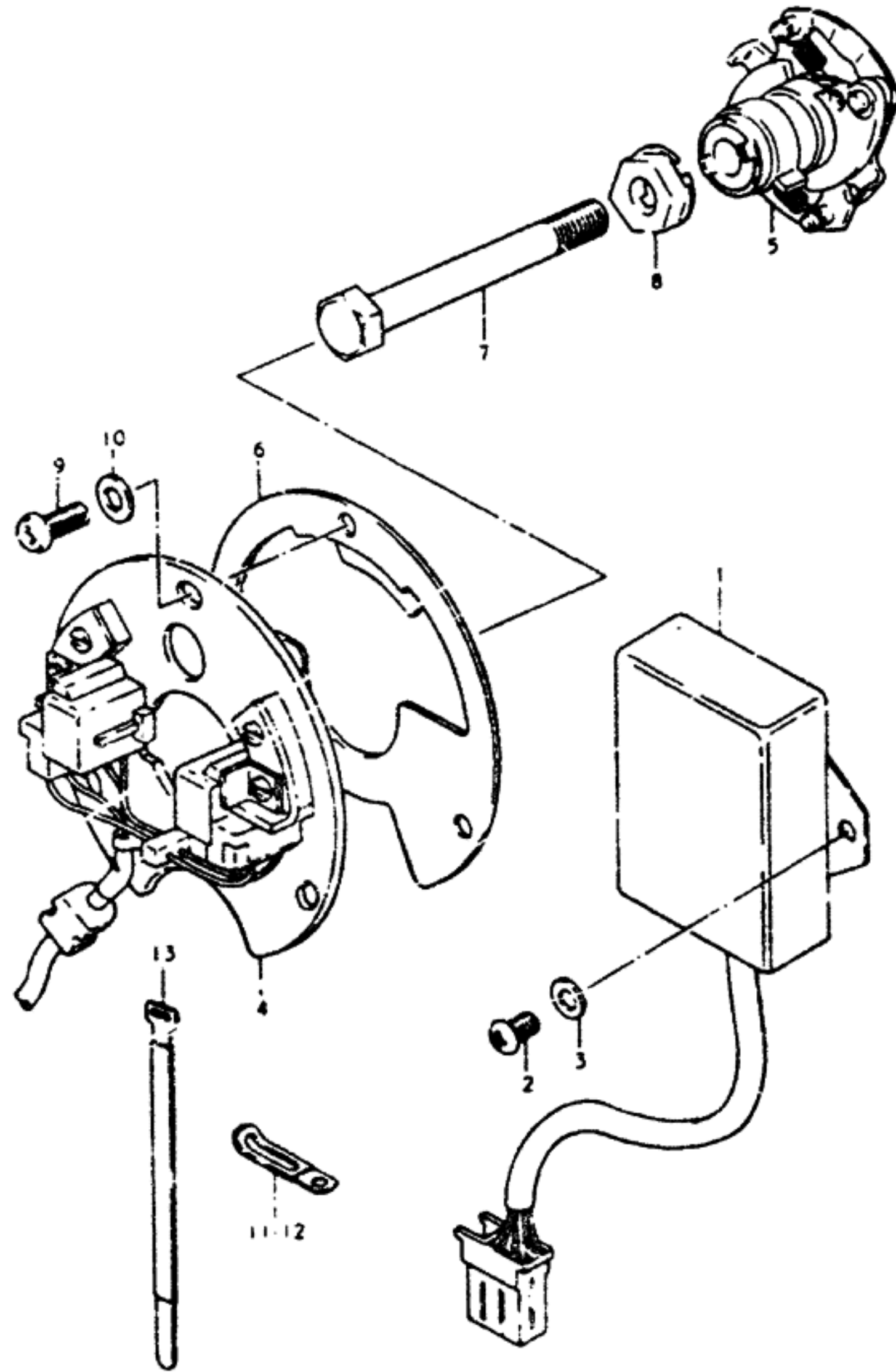
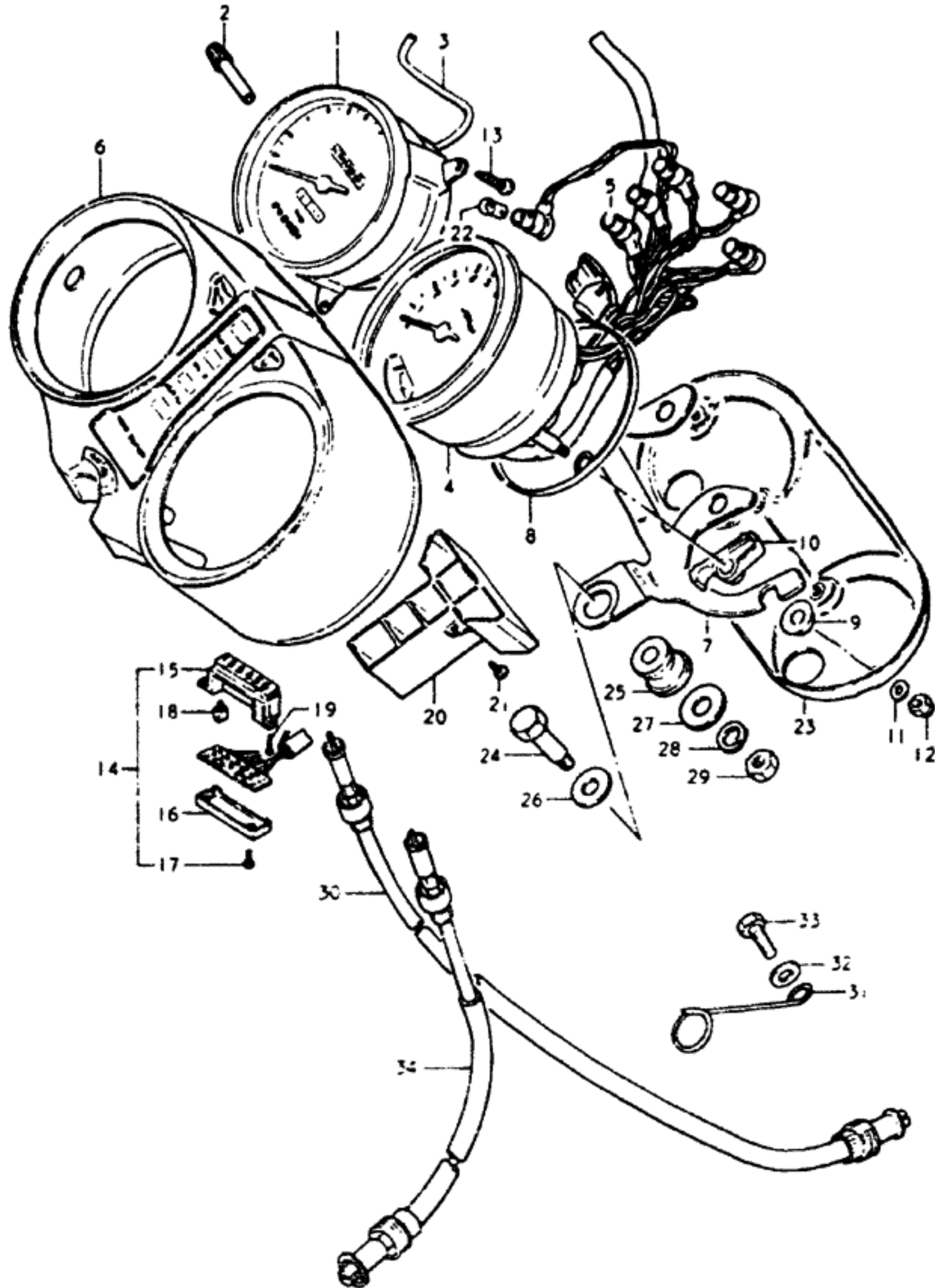


FIG. 21 SIGNAL GENERATOR

Ref. No.	Part No.	Description	Q'ty	Remarks
1	32900-45110	IGNITER UNIT	1	
2	02112-06108	SCREW	2	
3	08322-21068	WASHER	2	
4	33110-45110	SIGNAL GENERATOR ASSY	1	
5	33120-45110	GOVERNOR ASSY, advance	1	
6	33371-45100	PLATE, timing	1	
7	01107-08658	SOLT	1	
8	33465-47000	WASHER	1	
9	09125-05024	SCREW	3	
10	09160-05027	WASHER	3	
11	09404-06401	CLAMP	2	
12	09404-08401	CLAMP	2	
13	09407-18301	CLAMP	1	

FIG. 23 SPEEDOMETER - TACHOMETER

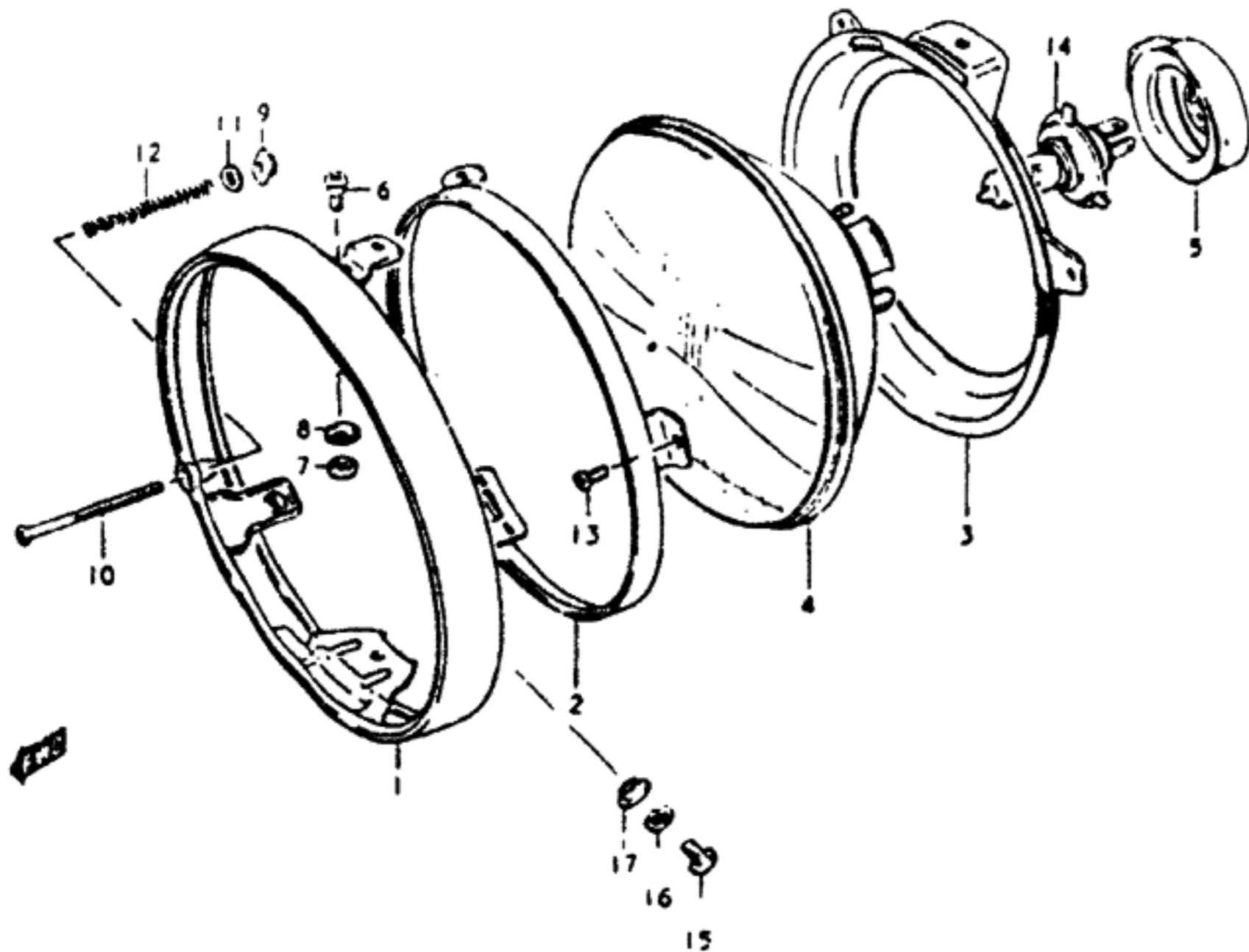
FIG. 23



Ref. No.	Part No.	Description	Qty	Remarks
1	34110-45150	SPEEDOMETER	1	Mile & Kilo scale
2	34980-45020	-KNOB	1	
3	34860-45110	-LEAD SWITCH	1	
4	34210-45131	TACHOMETER	1	
5	34173-45100	SOCKET	1	
6	34150-45100	CASE, meter	1	
7	34951-47020	BRACKET	1	
8	34953-45020	BRACKET, tachometer	1	
9	34956-45020	CUSHION (A)	4	
10	34955-45020	CUSHION (B)	4	
11	08322-21048	WASHER	4	
12	08313-11057	NUT	4	
13	34183-4510C	SCREW	4	
14	36450-45101	INDICATOR, gear position	1	
15	36452-45100	-CASE, indicator	1	
16	36454-45100	-COVER, lower	1	
17	36456-45100	-SCREW	2	
18	09471-12071	-BULB	5	
19	36457-45100	SCREW	2	
20	36382-45100	CASE, pilot bulb	1	
21	36492-47020	SCREW	2	
22	09471-12001	BULB (12V, 3.4W)	9	
23	34961-45021	PLATE, under	1	
24	09111-08040	BOLT	2	
25	34956-31000	CUSHION	2	
26	08322-21108	WASHER	2	
27	09160-08002	WASHER, LH	1	
28	08321-21088	LOCK WASHER	2	
29	08310-12088	NUT	2	
30-1	34910-45120	CABLE, speedometer	1	model T
30-2	34910-45121	CABLE, speedometer	1	model X
31	34938-45100	CLAMP	1	
32	08322-21068	WASHER	1	
33	01107-06168	BOLT	1	
34-1	34940-49012	CABLE, tachometer	1	model T
34-2	34940-49013	CABLE, tachometer	1	model X

FIG. 24

FIG. 24 HEADLAMP



Ref. No.	Part No.	Description	Qty	Remarks
	35100-49010-999	HEADLAMP ASSY	1	
1	35111-45600	·RIM	1	
2	35127-45600	·RING	1	
3	35130-45600	·RING, mounting	1	
4	35121-49010	·UNIT	1	
5	35173-49020	·COVER	1	
6	35136-25611	·SCREW	2	
7	35135-25611	·NUT	2	
8	35133-45600	·SPACER	2	
9	35135-45600	·NUT	1	
10	35151-27630	·SCREW	1	
11	35157-27630	·WASHER	1	
12	35154-45600	·SPRING	1	
13	02112-03088	·SCREW	2	
14	09471-12060	BULB (12V, 60/55W, H4)	1	
15	09125-05022	SCREW	3	
16	09162-05003	LOCK WASHER	3	
17	09169-06021	WASHER	3	



FIG. 25

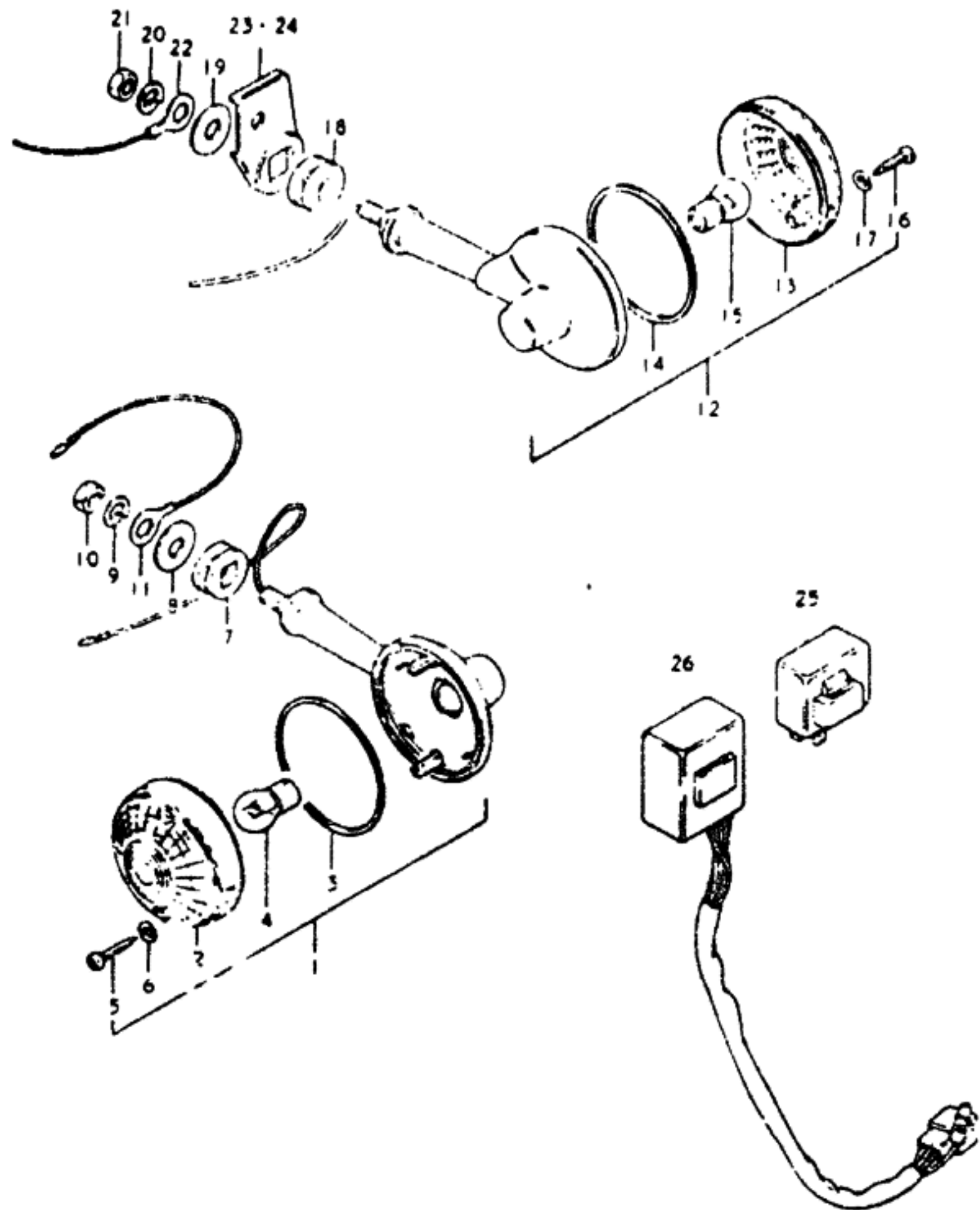


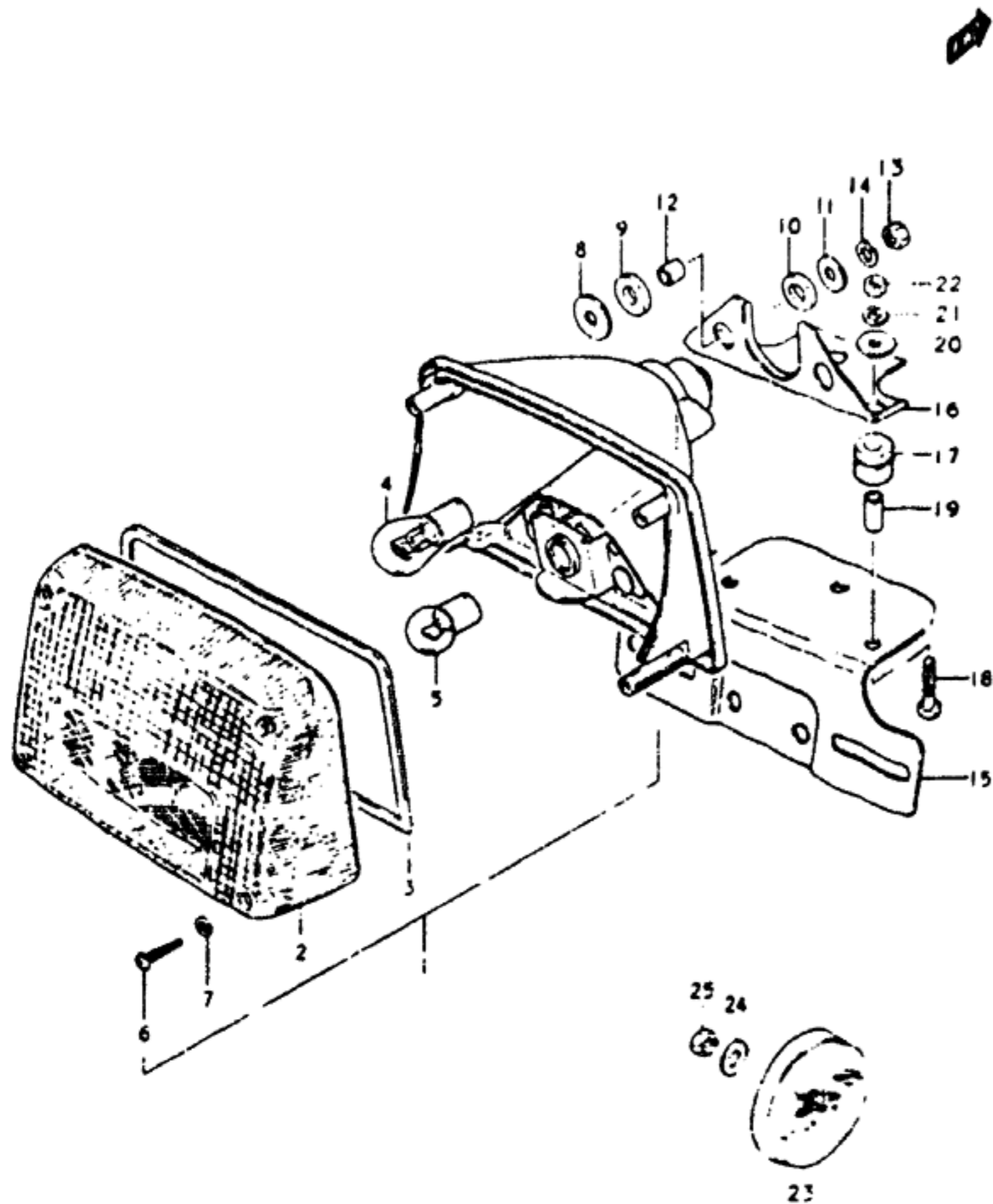
FIG. 25 TURN SIGNAL LAMP (CS850GT)

Ref. No.	Part No.	Description	Q'ty	Remarks
1	35601-49030	LAMP ASSY, front turn signal	2	
2	35612-45010	·LENS	2	
3	35613-45010	·GASKET	2	
4	09471-12006	·BULB (12V,23W)	2	
5	35625-49030	·SCREW	4	
6	35627-43010	·GASKET	4	
7	35690-32200	CUSHION	2	
8	09160-08001	WASHER	2	
9	08321-21088	LOCK WASHER	2	
10	08310-12088	NUT	2	
11	36851-45100	LEAD WIRE, earth	2	
12	35601-49030	LAMP ASSY, rear turn signal	2	
13	35612-45010	·LENS	2	
14	35613-45010	·GASKET	2	
15	09471-12006	·BULB (12V,23W)	2	
16	35625-49030	·SCREW	4	
17	35627-43010	·GASKET	4	
18	35690-32200	CUSHION	2	
19	09160-08001	WASHER (8.5x30x2.3)	2	
20	08321-21088	LOCK WASHER	2	
21	08310-12088	NUT	2	
22	36851-45100	LEAD WIRE earth	2	
23	41580-45000-019	BRACKET, RH	1	
24	41590-45000-019	BRACKET, LH	1	
25	38610-49230	RELAY, turn signal	1	
26	38830-49200	CONTROL UNIT, turn signal	1	

FIG. 26 (E-10) : GT85/GX

FIG. 27

FIG. 27 REAR COMBINATION LAMP



Ref. No.	Part No.	Description	Q'ty	Remarks
1	35710-49030	LAMP ASSY, rear combination	1	
2	35712-49031	·LENS	1	
3	35713-49030	·GASKET	1	
4	09471-12035	·BULB (12V,32/3cp)	1	
5	09471-12037	·BULB (12V,4cp)	1	
6	35625-49030	·SCREW	4	
7	35627-43010	·GASKET	4	
8	09160-06007	WASHER	2	
9	09320-09004	CUSHION	2	
10	09320-09003	CUSHION	2	
11	09160-06012	WASHER	2	
12	09180-06038	SPACER	2	
13	08310-11068	NUT	2	
14	08321-21068	LOCK WASHER <sup>1</sup>	2	
15	35927-49031	PLATE, license	1	
16	35928-49031	BRACKET	1	
17	35794-49000	CUSHION	3	
18	01107-06258	BOLT	3	
19	09180-06087	SPACER	3	
20	09160-06007	WASHER	3	
21	08321-21068	LOCK WASHER	3	
22	08310-11068	NUT	3	
23	35970-49030	REFLEX REFLECTOR, rear	2	
24	08322-21058	WASHER	2	
25	08310-11058	NUT	2	

FIG. 28

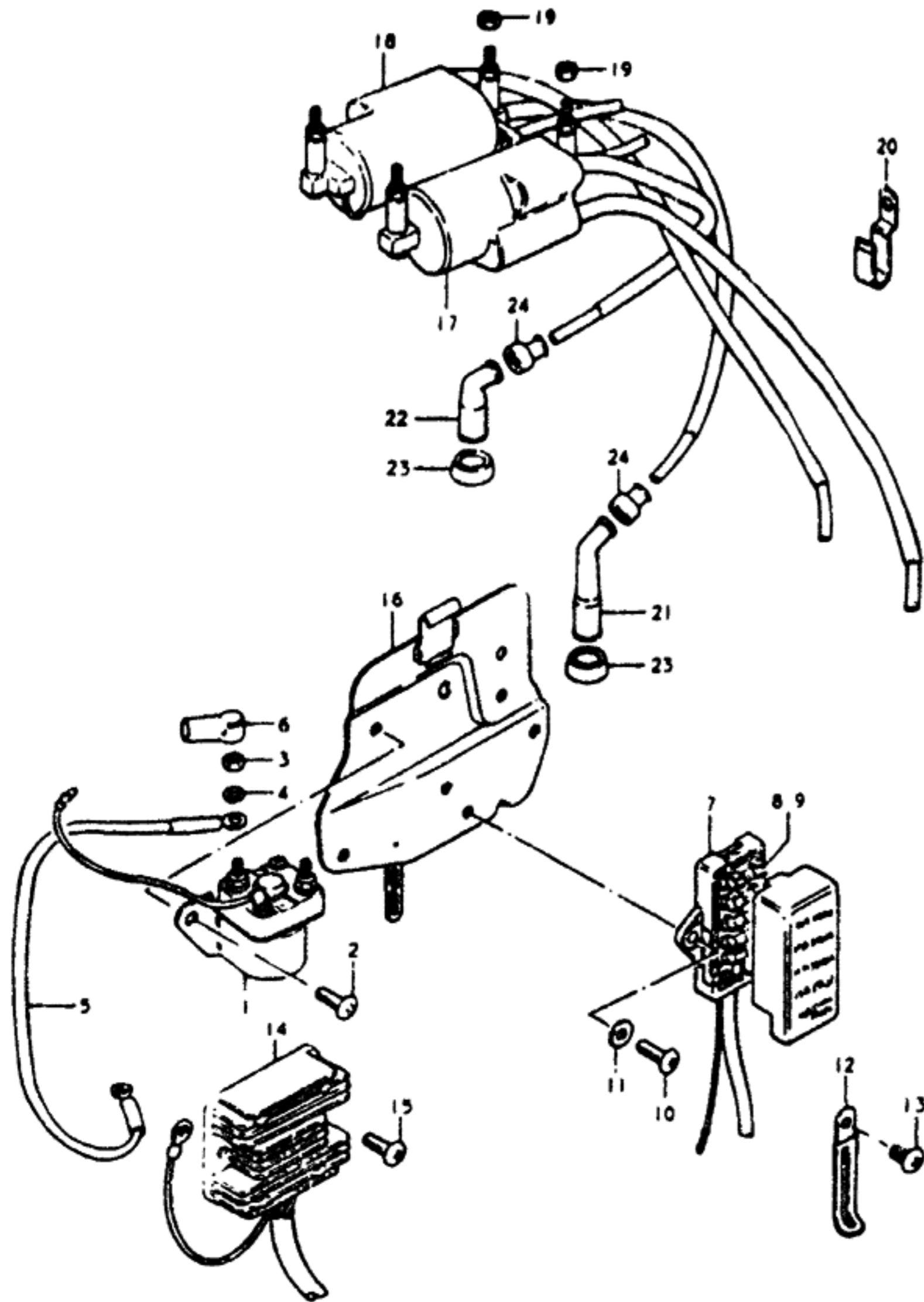


FIG. 28 ELECTRICAL

Ref. No.	Part No.	Description	Q'ty	Remarks
1	31800-37020	RELAY, starting motor	1	
2	02112-06108	SCREW	2	
3	08310-22068	NUT	2	
4	08321-21068	LOCK WASHER	2	
5	33850-10300	LEAD WIRE, starting motor	1	
6	31861-35100	CAP, terminal	3	
7	36740-49200	FUSE BOX ASSY	1	
8	09481-10001	·FUSE (10A)	4	
9	09481-15001	·FUSE (15A)	1	
10	02112-06128	SCREW	2	
11	08322-21068	WASHER	2	
12	09404-06401	CLAMP	1	
13	02112-06088	SCREW	1	
14	32800-45210	RECTIFIER, regulator	1	
15	02112-06128	SCREW	2	
16	47410-45101	PLATE, electric parts holder	1	
17	33410-45110	COIL, ignition No.1	1	
18	33420-45110	COIL, ignition No.2	1	
19	08310-11068	NUT	4	
20	09403-06307	CLAMP	4	
21	33510-45010	CAP, spark plug (L)	2	
22	33510-43010	CAP, spark plug (S)	2	
23	33541-69010	SEAL, spark plug	4	
24	33542-98000	SEAL, hightension cord	4	

FIG. 29

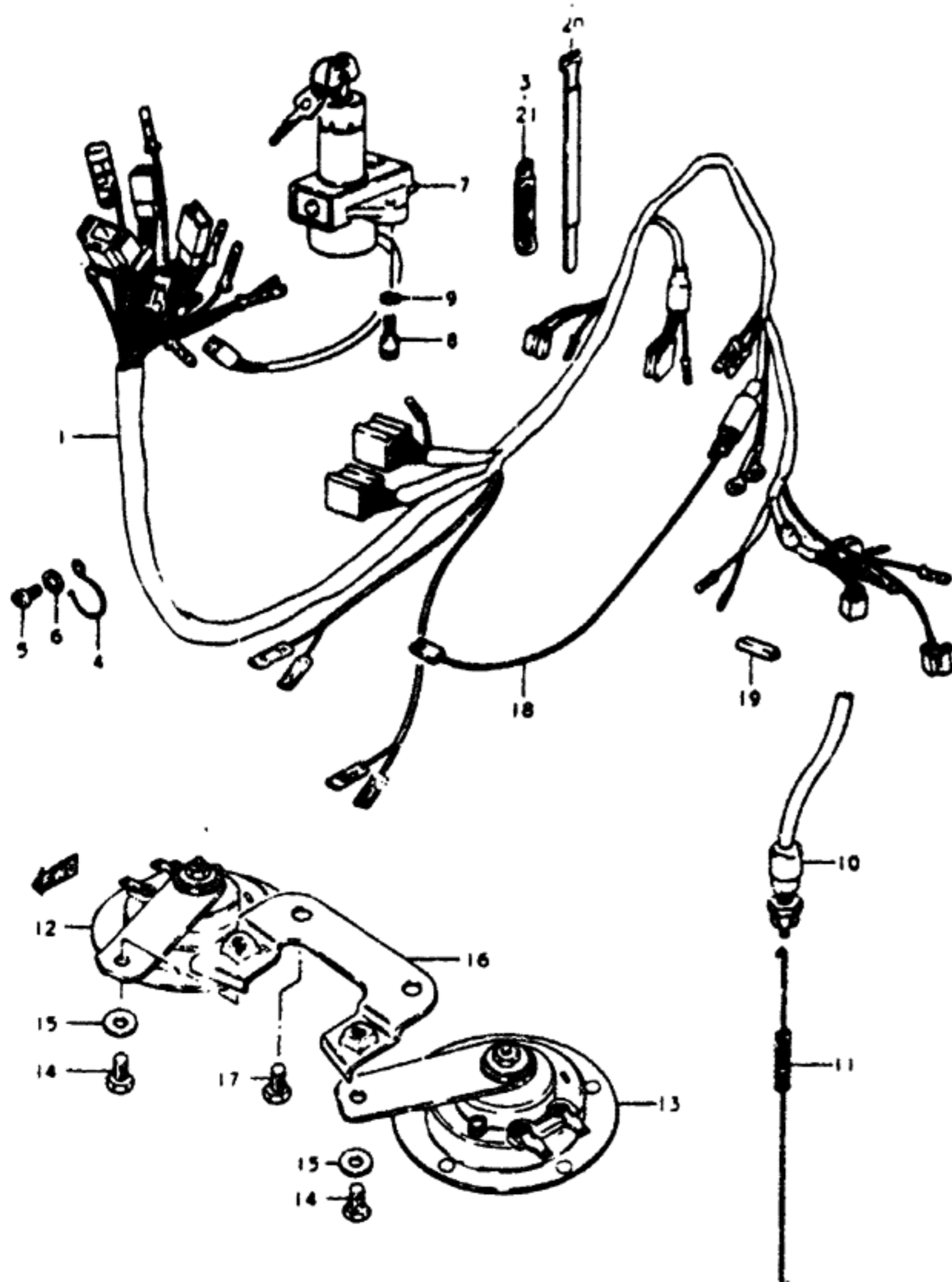


FIG. 29 WIRING HARNESS

Ref. No.	Part No.	Description	Q'ty	Remarks
1-1	36610-45130	WIRING HARNESS	1	model T
1-2	36610-45131	WIRING HARNESS	1	model X
2	09407-18301	CLAMP (L:180)	5	
3	09404-06414	CLAMP	1	
4	36619-44000	CLIP	1	
5	02112-06128	SCREW	1	
6	08322-21668	WASHER	1	
7	37100-45170	SWITCH ASSY, ignition	1	
8	37152-47010	BOLT	2	
9	08321-21068	LOCK WASHER	2	
10-1	37740-04570	SWITCH, brake lamp	1	model T
10-2	37740-04571	SWITCH, brake lamp	1	model X
11	09443-06018	SPRING	1	
12-1	38502-47000	HORN, low pitched	1	model T
12-2	38502-49030	HORN, low pitched	1	model X
13-1	38501-47000	HORN, high pitched	1	model T
13-2	38501-49030	HORN, high pitched	1	model X
14	01107-08168	BOLT	2	
15	08322-11088	WASHER	2	
16-1	38590-45101	BRACKET, horn	1	model T
16-2	38590-49011	BRACKET, horn	1	model X
17	01107-08128	BOLT	2	
18	36853-45700	LEAD WIRE, oil pressure switch	1	
19	36611-38000	PROJECTOR, wiring harness	1	
20	09407-12402	CLAMP	1	
21	09404-06415	CLAMP	2	

FIG. 30

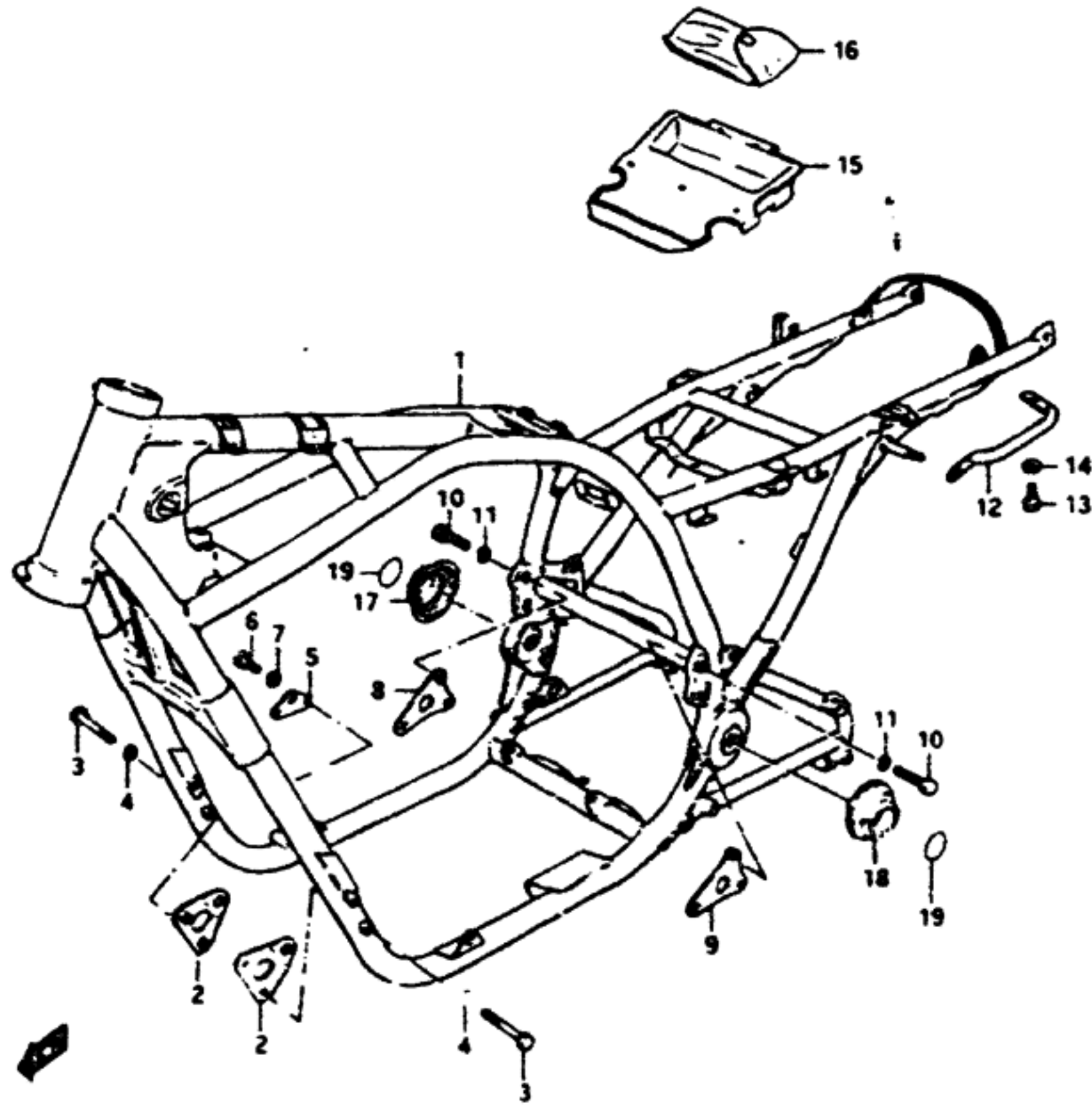


FIG 31 FRAME

Ref. No.	Part No.	Description	Qty	Remarks
1	41100-45101-019	FRAME (Black)	1	
2	41910-45100-019	PLATE, No.1 (Black)	2	
3	01107-08658	BOLT	4	
4	08321-21088	LOCK WASHER	4	
5	41993-45000-019	PLATE, No.2 (Black)	1	
6	01107-08168	BOLT	2	
7	08321-21088	LOCK WASHER	2	
8	41970-45100-019	PLATE, No.3 RH (Black)	1	
9	41980-45100-019	PLATE, No.3 LH (Black)	1	
10	01107-08408	BOLT	4	
11	08321-21088	LOCK WASHER	4	
12	41610-49000	GRIP, frame handle	1	
13	01107-08168	BOLT	1	
14	08322-11088	WASHER	1	
15	41551-45102	HOLDER, tool	1	
16	09800-00199	TOOL SET	1	
17	47191-45100	COVER, RH	1	
18	47291-45100	COVER, LH	1	
19	68143-45101	TAPE	2	

FIG.31

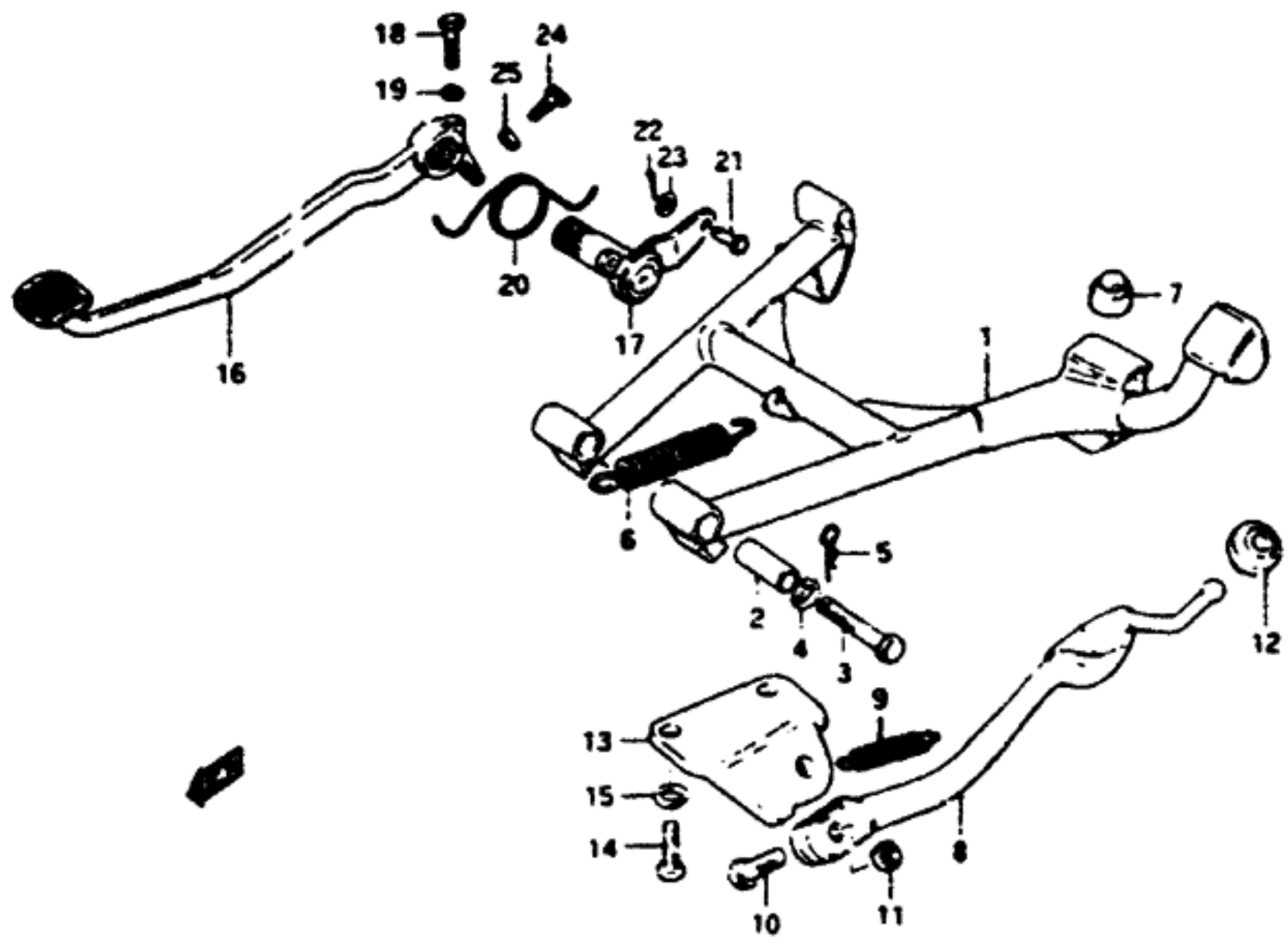


FIG.31 STAND

Ref. No.	Part No.	Description	Qty	Remarks
1	42100-45121	STAND, center	1	
2	09180-10040	SPACER (10.7x15.9x38)	2	
3	09101-10018	BOLT	2	
4	08321-21108	LOCK WASHER	2	
5	09385-10001	CLIP	2	
6	09443-20001	SPRING	1	
7	09321-10001	CUSHION	1	
8	42310-45000	STAND, prop	1	
9	09443-17005	SPRING	1	
10	09100-10067	BOLT (10x30)	1	
11	08310-22108	NUT	1	
12	09320-07001	CUSHION	1	
13	42330-45100	BRACKET	1	
14	09100-10007	BOLT (10x27)	2	
15	08321-21108	LOCK WASHER	2	
16	43110-45110	PEDAL, brake	1	
17	43120-45100	ARM, brake pedal rod	1	
18	01107-08258	BOLT	1	
19	08321-21088	LOCK WASHER	1	
20	09448-37002	SPRING	1	
21	09200-06029	PIN	1	
22	04111-20158	COTTER PIN	1	
23	08322-21068	WASHER	1	
24	01107-06208	BOLT	1	
25	08310-11068	NUT	1	

FIG. 32

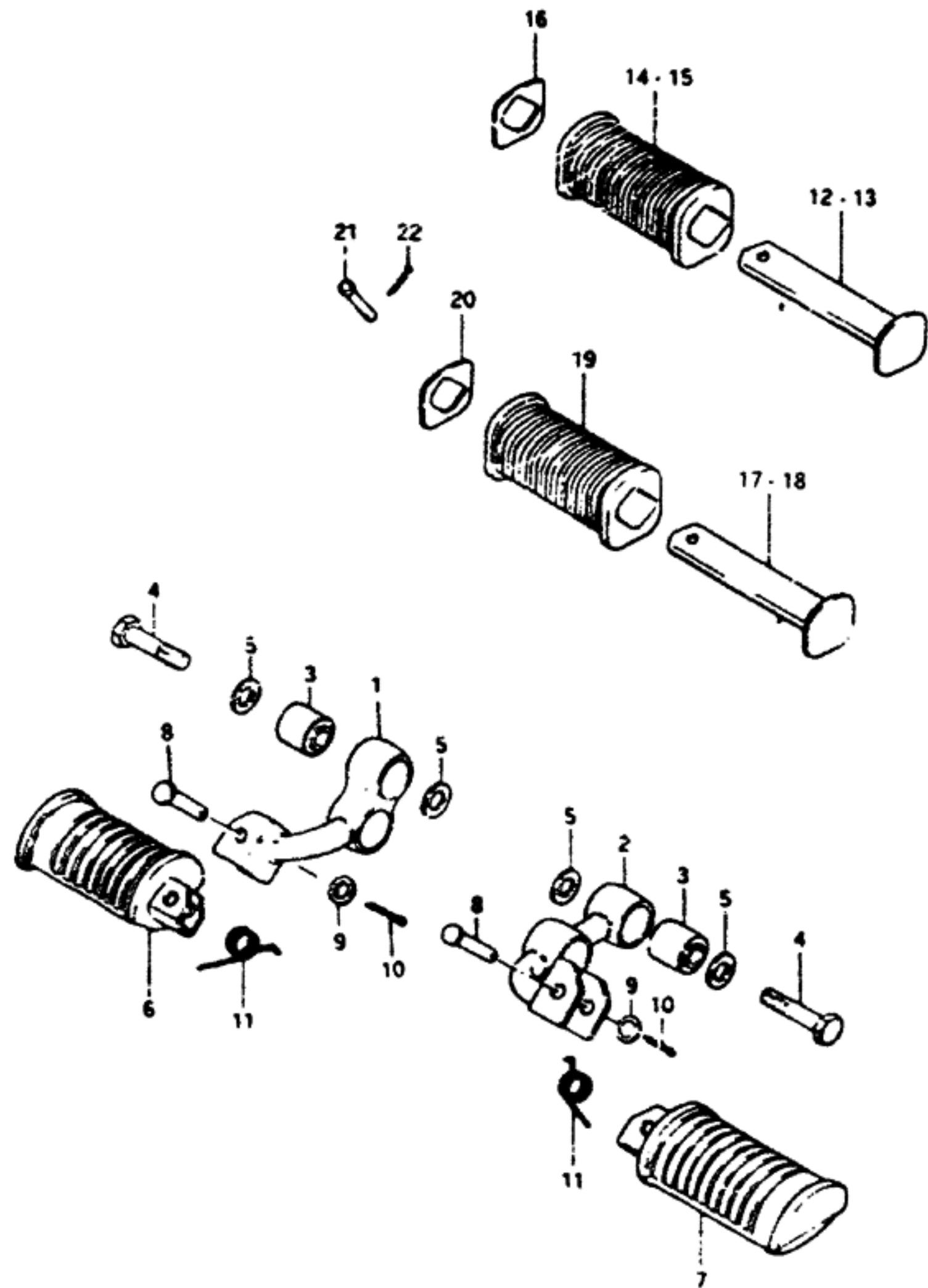
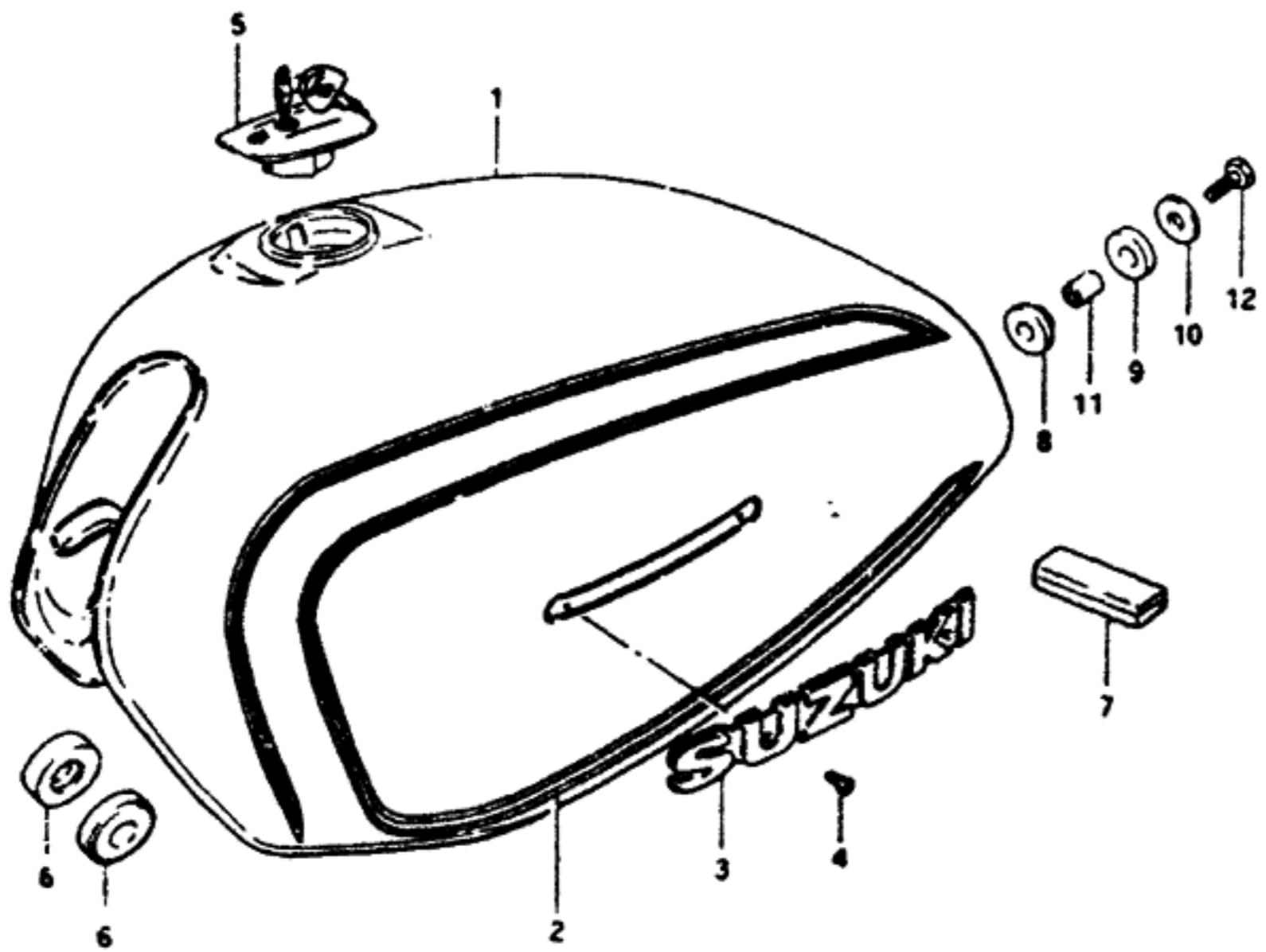


FIG. 32 FOOTREST

Ref. No.	Part No.	Description	Qty	Remarks
1	43510-45110-019	BAR, footrest RH (Black)	1	
2	43520-45110-019	BAR, footrest LH (Black)	1	
3	09319-10008	BUSHING	4	
4	09104-10007	BOLT	4	
5	09160-10013	WASHER	8	
6-1	43550-49001	RUBBER, RH	1	model T
6-2	43550-49002	RUBBER, RH	1	model X
7-1	43560-49001	RUBBER, LH	1	model T
7-2	43560-49002	RUBBER, LH	1	model X
8	09200-08002	PIN	2	
9	08322-11088	WASHER	2	
10	04111-20158	COTTER PIN	2	
11	09448-14013	SPRING	2	
12	43610-45000	BAR, pillion RH	1	
13	43620-45000	BAR, pillion LH	1	
14	43612-45000	RUBBER, RH	1	F.No. 126409
15	43622-45000	RUBBER, LH	1	
16	43631-45000	WASHER	2	
17	43610-45001	BAR, pillion RH	1	
18	43620-45001	BAR, pillion LH	1	F.No. 126410
19	43612-45001	RUBBER	2	
20	43631-45001	WASHER	2	
21	09200-06010	PIN	2	
22	04111-20158	COTTER PIN	2	

**FIG. 33**



**FIG. 33 FUEL TANK (GS850GT)**

Ref. No.	Part No.	Description	Qty	Remarks
1-1	44100-45130-08E	TANK, fuel (Black)	1	
1-2	44100-45130-08J	TANK, fuel (Maroon)	1	
2	68110-45130-72E	·TAPE SET	1	
3	68111-45010	EMBLEM	1	
4	02132-03065	SCREW	4	
5	44200-49701	CAP, filler	1	
6	09329-10007	CUSHION, front	2	
7	09329-01005	CUSHION, center	1	
8	09320-12010	CUSHION, rear No.1	1	
9	09320-12023	CUSHION, rear No.2	1	
10	09160-08002	WASHER (8.5x29x1.6)	1	
11	09180-08067	SPACER	1	
12	01107-08308	BOLT	1	

**FIG. 34 (F-6) : GS850GX**



FIG. 35

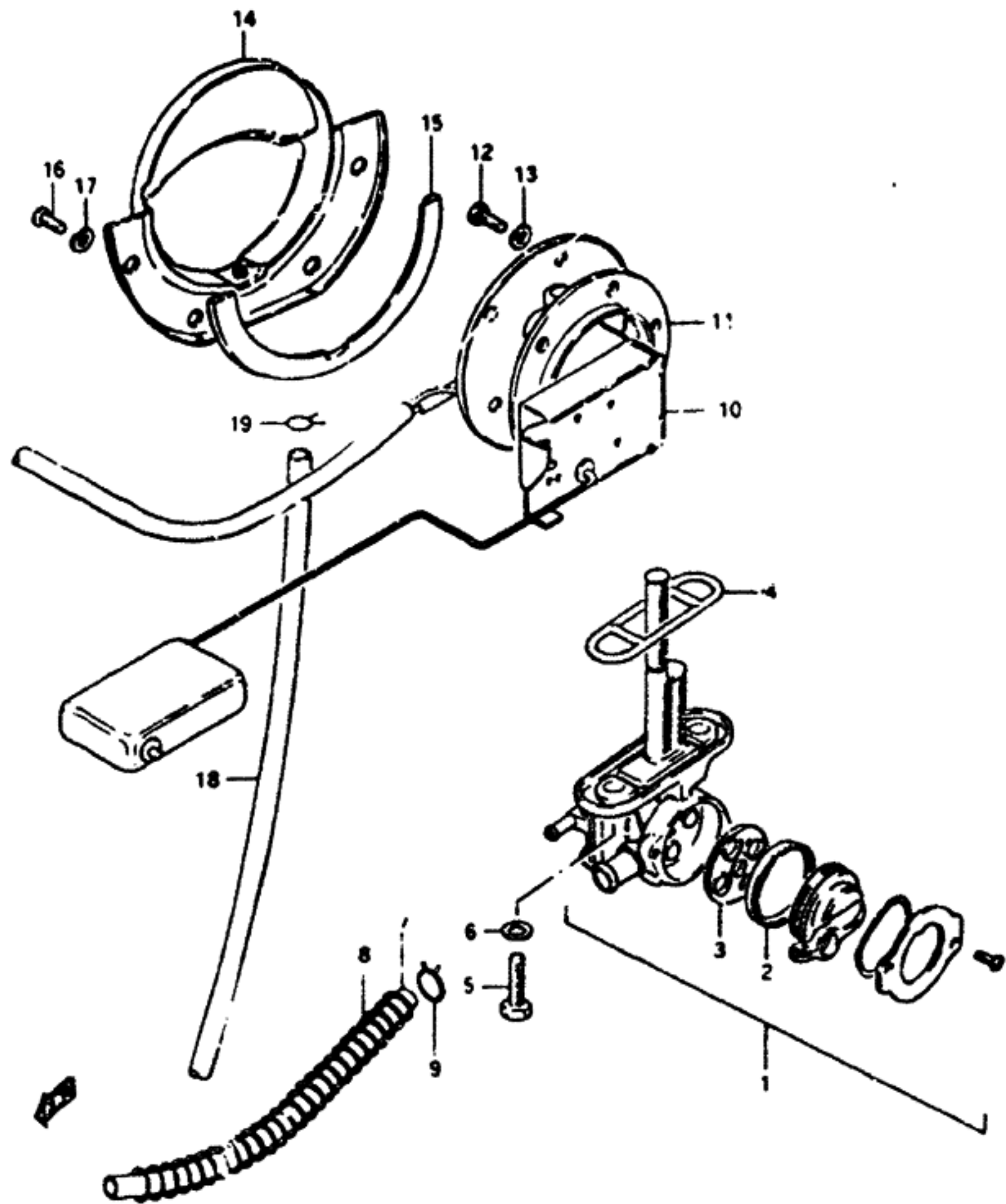
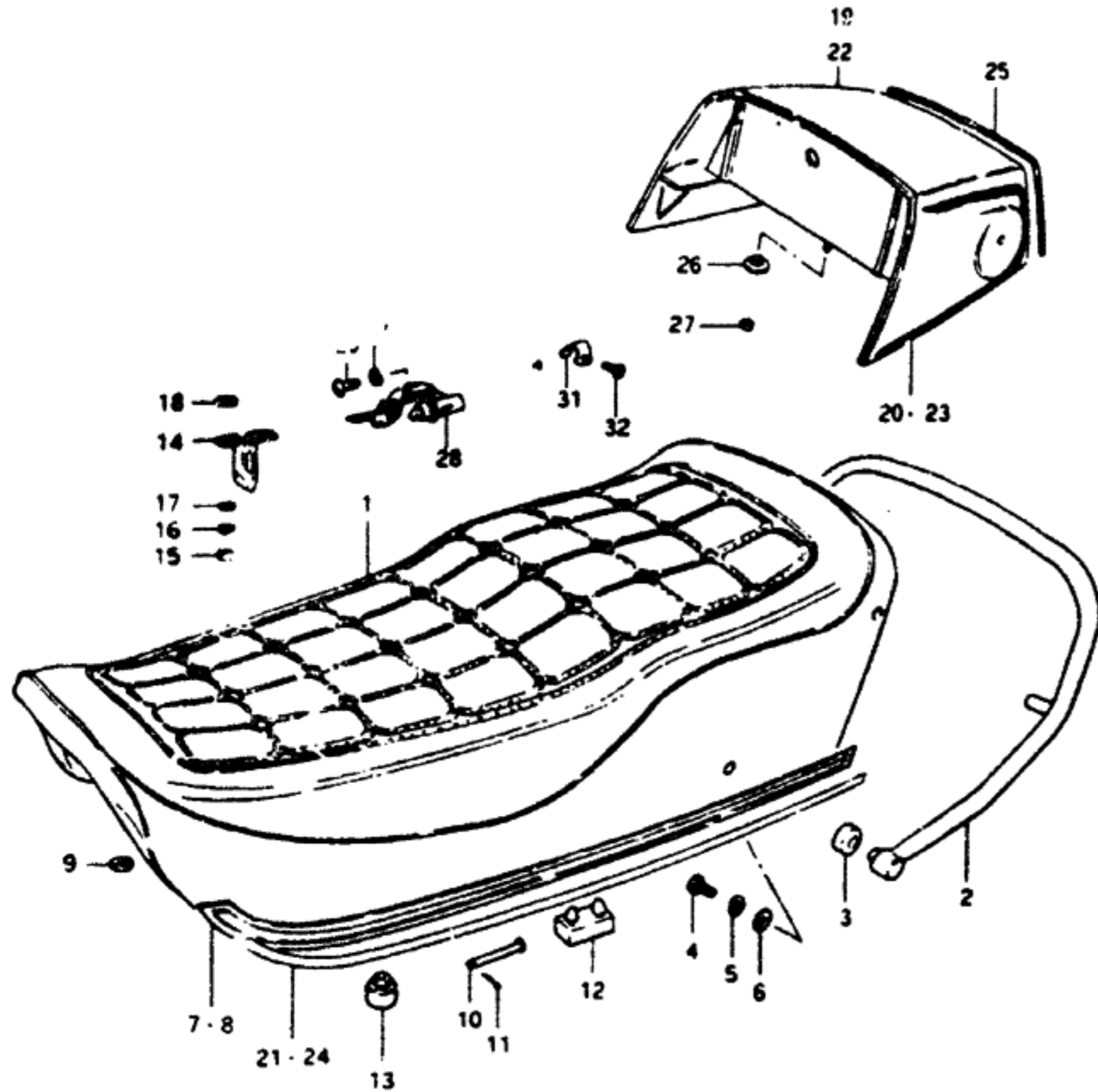


FIG. 35 FUEL COCK

Ref. No.	Part No.	Description	Q'ty	Remarks
1	44300-45011	COCK ASSY, fuel	1	
2	44353-33154	GASKET, lever	1	
3	44341-33150	GASKET	1	
4	44348-31051	O RING	1	
5	09128-06006	BOLT	2	
6	09168-06010	GASKET	2	
7	09343-07026	HOSE, fuel (L:250-L:190)	1	
8	09440-13018	SPRING	1	
9	09401-10403	CLIP	2	
10	34810-43100	GAUGE ASSY, fuel level	1	
11	34825-45100	GASKET	1	
12	01104-05108	BOLT	5	
13	08321-21058	LOCK WASHER	5	
14	34385-49002	PLATE, fuel drain	1	
15	34888-49000	GASKET	1	
16	02112-05088	SCREW	4	
17	08321-21058	LOCK WASHER	4	
18	09343-05165	HOSE (5x8.2x890)	1	
19	09401-08402	CLIP	1	

FIG. 36

FIG. 36 SEAT (GS850GT)



Ref. No.	Part No.	Description	Qty	Remarks
1	45100-45100-41G	SEAT (Black)	1	
2	46210-45100	HANDLE, pillion rider	1	
3	46212-49000	CUSHION	4	
4	01107-08208	BOLT	4	
5	08321-21088	LOCK WASHER	4	
6	08322-21088	WASHER	4	
7	45191-45100	MOULDING, RH	1	
8	45192-45100	MOULDING, LH	1	
9	0914A-03008	NUT	8	
10	09200-06018	PIN	2	
11	04111-20158	COTTER PIN	2	
12	09321-08006	CUSHION	4	
13	09321-10001	CUSHION	2	
14	45213-47000	STRIKER, seat lock	1	
15	08310-11068	NUT	2	
16	08321-21068	LOCK WASHER	2	
17	08322-21068	WASHER	2	
18	09130-06027	WASHER	2	
19	45500-45810-08E	COVER, seat tail (Black)	1	
20	68160-45130-72E	TAPE SET	1	
21	68101-45860-019	TAPE SET, moulding (Black)	1	
22	45500-45100-08J	COVER, seat tail (Maroon)	1	
23	68160-45130-72E	TAPE SET	1	
24	68101-45860-08J	TAPE SET, moulding (Maroon)	1	
25	45522-45100	MOULDING, seat tail cover	1	
26	09169-06016	WASHER	3	
27	08319-21068	NUT	3	
28	95700-45813	SEAT LOCK SET	1	
29	02112-05128	SCREW	2	
30	08321-21058	LOCK WASHER	2	
31	95722-45000	SPRING, helmet holder	1	
32	02112-0508R	SCREW	1	

FIG. 38

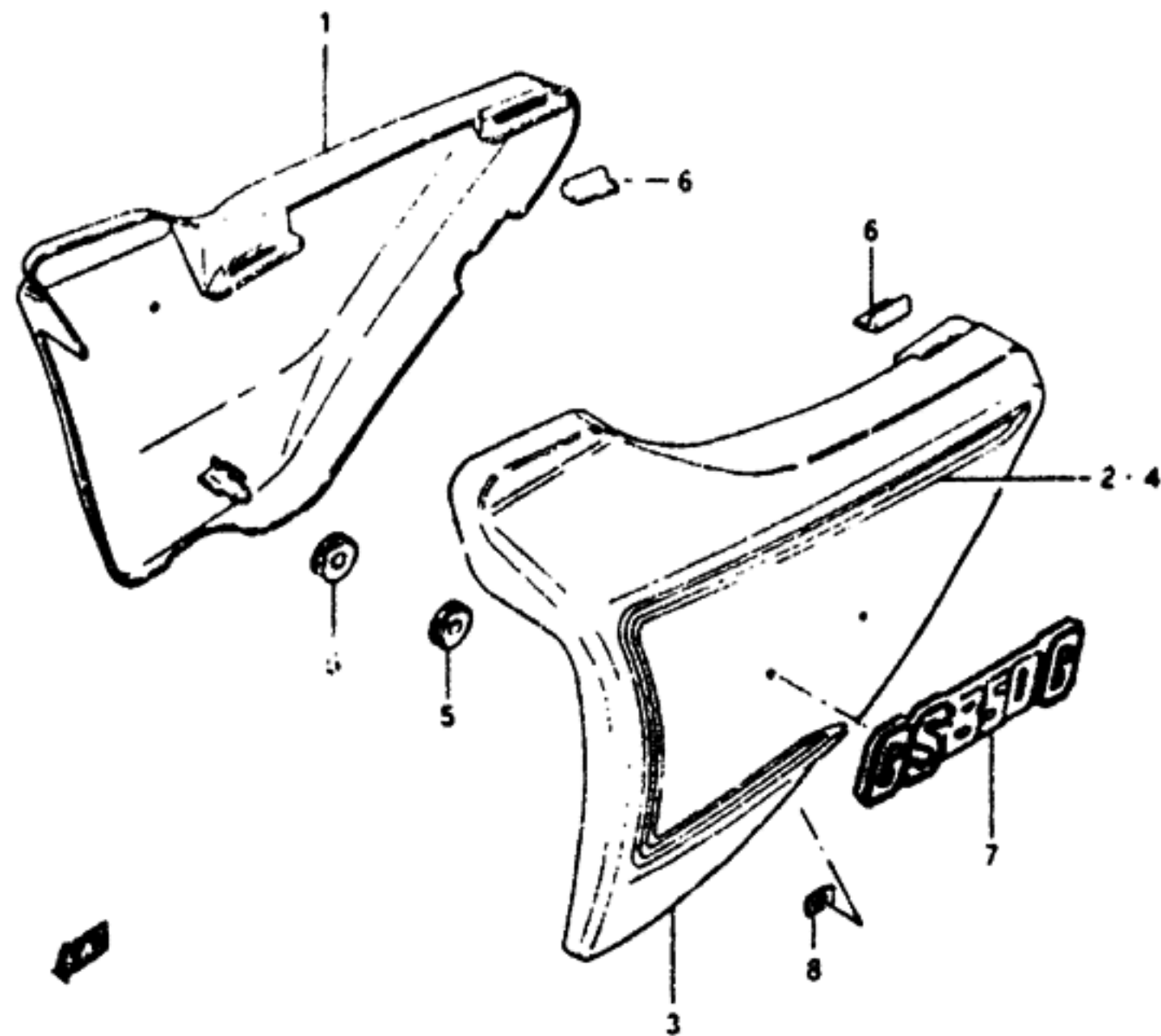


FIG. 38 FRAME COVER (GS850GT)

Ref. No.	Part No.	Description	Qty	Remarks
1-1	47100-45840-08E	COVER, frame RH (Black)	1	
1-2	47100-45840-08J	COVER, frame RH (Maroon)	1	
2	68136-45130-72E	TAPE, RH	1	
3-1	47200-45840-08E	COVER, frame LH (Black)	1	
3-2	47200-45840-08J	COVER, frame LH (Maroon)	1	
4	68146-45130-72E	TAPE, LH	2	
5	09320-08018	CUSHION	2	
6	47117-45000	CUSHION	4	
7	68131-45120	EMBLEM	2	
8	09148-03002	NUT	4	

FIG. 39 (F-11) : GS850GX

FIG. 40

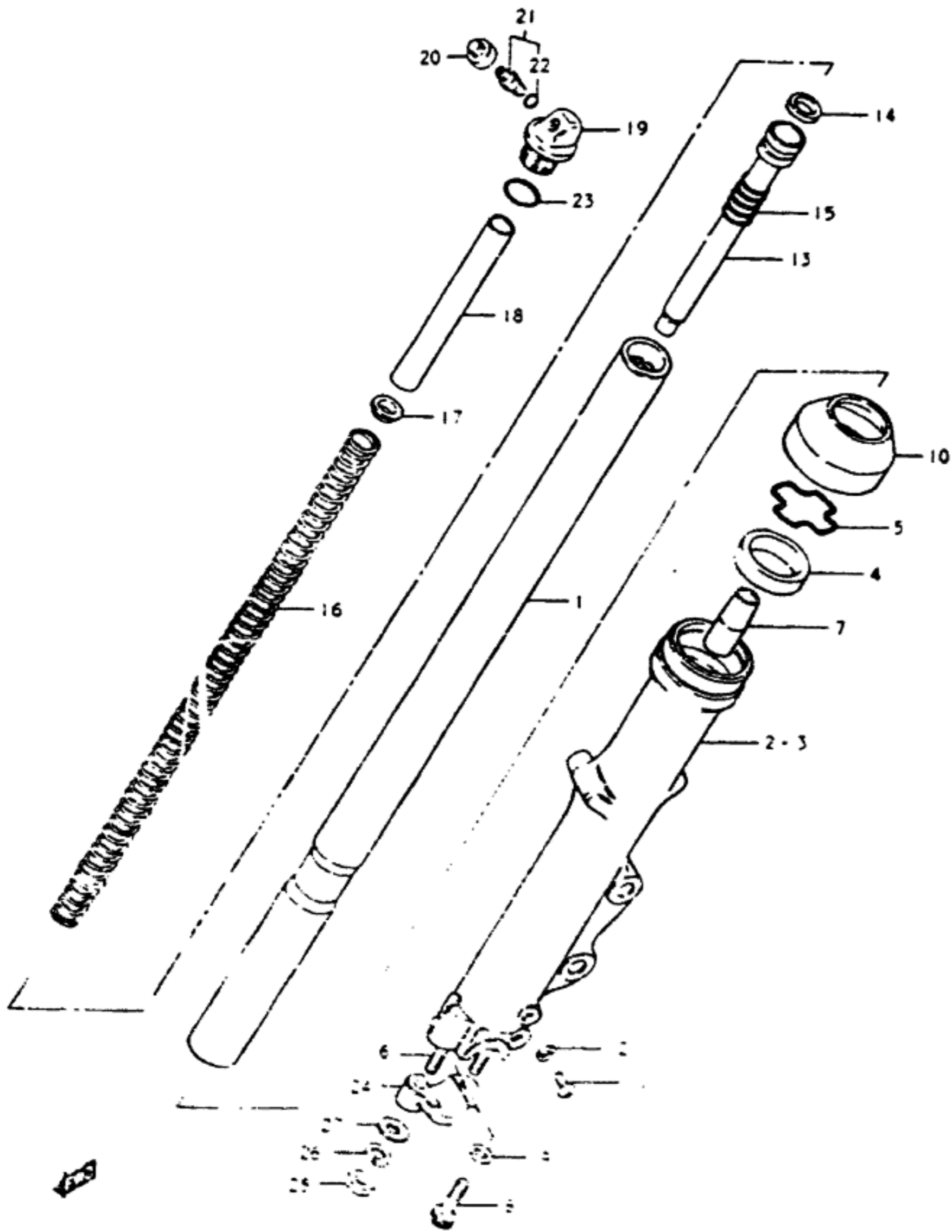
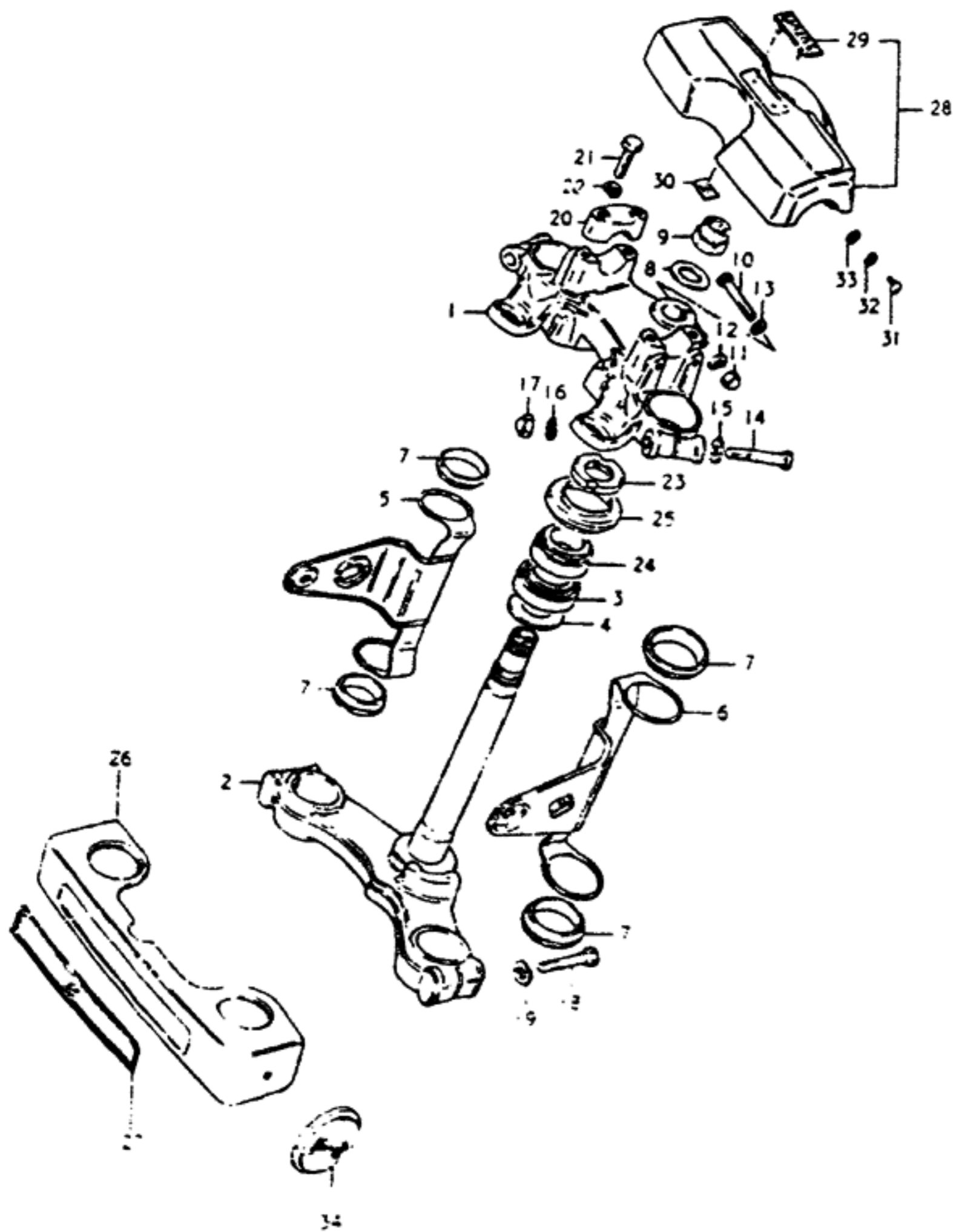


FIG. 40 FRONT FORK

Ref. No.	Part No.	Description	Qty	Remarks
	51103-45101	DAMPER ASSY, RH	1	
	51104-45101	DAMPER ASSY, LH	1	
1	51110-45100	INNER TUBE	2	
2	51130-45101	OUTER TUBE, RH	1	
3	51140-45101	OUTER TUBE, LH	1	
4	51153-49000	OIL SEAL	2	
5	51156-40301	RING, oil seal stopper	2	
6	01421-08308	STUD BOLT	4	
7	51195-49071	PIECE, oil lock	2	
8	51147-16510	BOLT	2	
9	51148-41310	GASKET	2	
10	51173-49002	DUST SEAL	2	
11	02112-04088	SCREW	2	
12	51183-03010	GASKET	2	
13	51146-49000	CYLINDER	2	
14	51196-49000	PISTON RING	2	
15	51177-49000	SPRING	2	
16	51171-49000	SPRING	2	
17	51172-38010	GUIDE, spring	2	
18	51176-45100	SPACER	2	
19	51351-41211	CAP, upper	2	
20	51294-49000	CAP, valve	2	
21	51293-49001	VALVE	2	
22	51117-41211	O RING	2	
23	51117-16310	O RING	2	
24	51132-49000	HOLDER, axle	2	
25	09140-08005	NUT	4	
26	63321-21088	LOCK WASHER	4	
27	08322-21088	WASHER	4	

FIG. 41

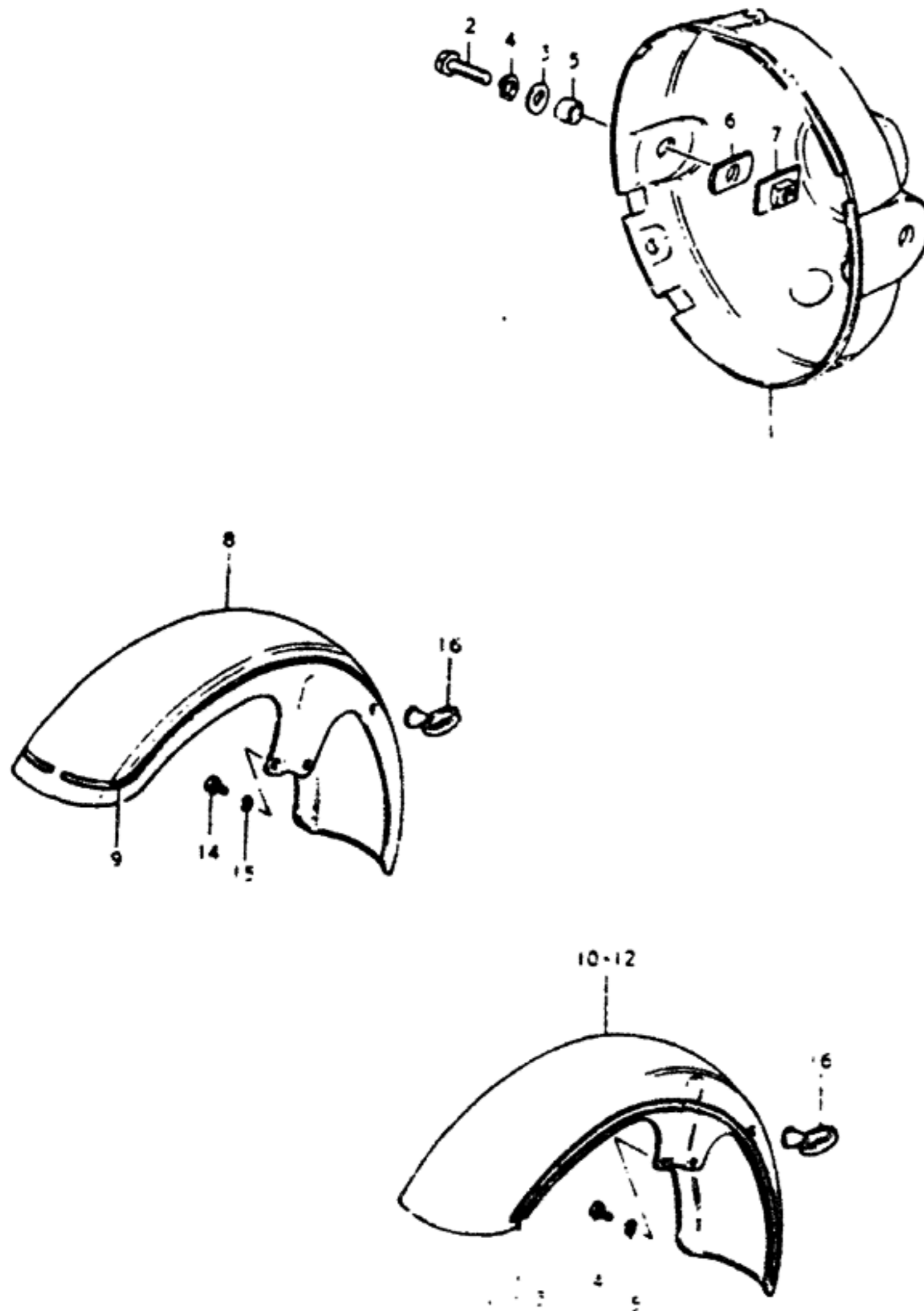
FIG. 41 STEERING STEM



Ref. No.	Part No.	Description	Qty	Remarks
1	51311-49000-291	STEERING STEM HEAD	1	
2	51410-45101-291	STEERING STEM	1	
3	09265-30005	BEARING, lower	1	
4	08211-30402	WASHER	1	
5	51530-45100-291	BRACKET, headlamp RH	1	
6	51540-45100-291	BRACKET, headlamp LH	1	
7	51553-49000	CUSHION	4	
8	51356-31700	WASHER	1	
9	51353-45000	NUT	1	
10	01107-08508	BOLT	1	
11	08313-11088	NUT	1	
12	08321-21088	LOCK WASHER	1	
13	08322-21088	WASHER	1	
14	01107-10558	BOLT	2	
15	08322-21108	WASHER	2	
16	08321-21108	LOCK WASHER	2	
17	08313-11108	NUT	2	
18	01107-08358	BOLT	4	
19	08321-21088	LOCK WASHER	4	
20	56211-29320-291	CLAMP, handlebar upper	2	
21	01107-08358	BOLT	4	
22	08321-21088	LOCK WASHER	4	
23	51631-28000	NUT, steering stem	1	
24	09265-25008	BEARING, upper	1	
25	51643-49001	DUST SEAL, upper	1	
26	51871-45100	COVER, front fork	1	
27	68211-45100	EMBLEM	1	
28	56170-45100	PAD, handlebar	1	
29	68281-45100	EMBLEM	1	
30	09148-03002	NUT	2	
31	02112-05108	SCREW	4	
32	08321-21058	LOCK WASHER	4	
33	08322-21058	WASHER	4	
34	35950-45080	REFLEX REFLECTOR side	2	

FIG. 42

FIG. 42 HEADLAMP HOUSING - FRONT FENDER



Ref. No.	Part No.	Description	Qty	Remarks
1	51811-45002-291	HOUSING, headlamp	1	
2	01204-08257	BOLT	2	
3	08322-11088	WASHER	2	
4	08321-21088	LOCK WASHER	2	
5	09180-08030	SPACER	2	
6	09329-12002	CUSHION	2	
7	51866-45000	PLATE	2	
8-1	53100-45100-08E	FENDER, front	1	} -model T
8-2	53100-45100-03J	FENDER, front	1	
9	68155-45130-72E	-TAPE	1	
10	53100-45130-10U	FENDER, front	1	} -model X
11	68150-45150-75D	-TAPE	1	
12	53100-45130-12G	FENDER, front	1	
13	68150-45150-75E	-TAPE	1	
14	01107-08168	BOLT	4	
15	08321-21088	LOCK WASHER	4	
16	58621-21203	GUIDE, cable	1	

FIG.43

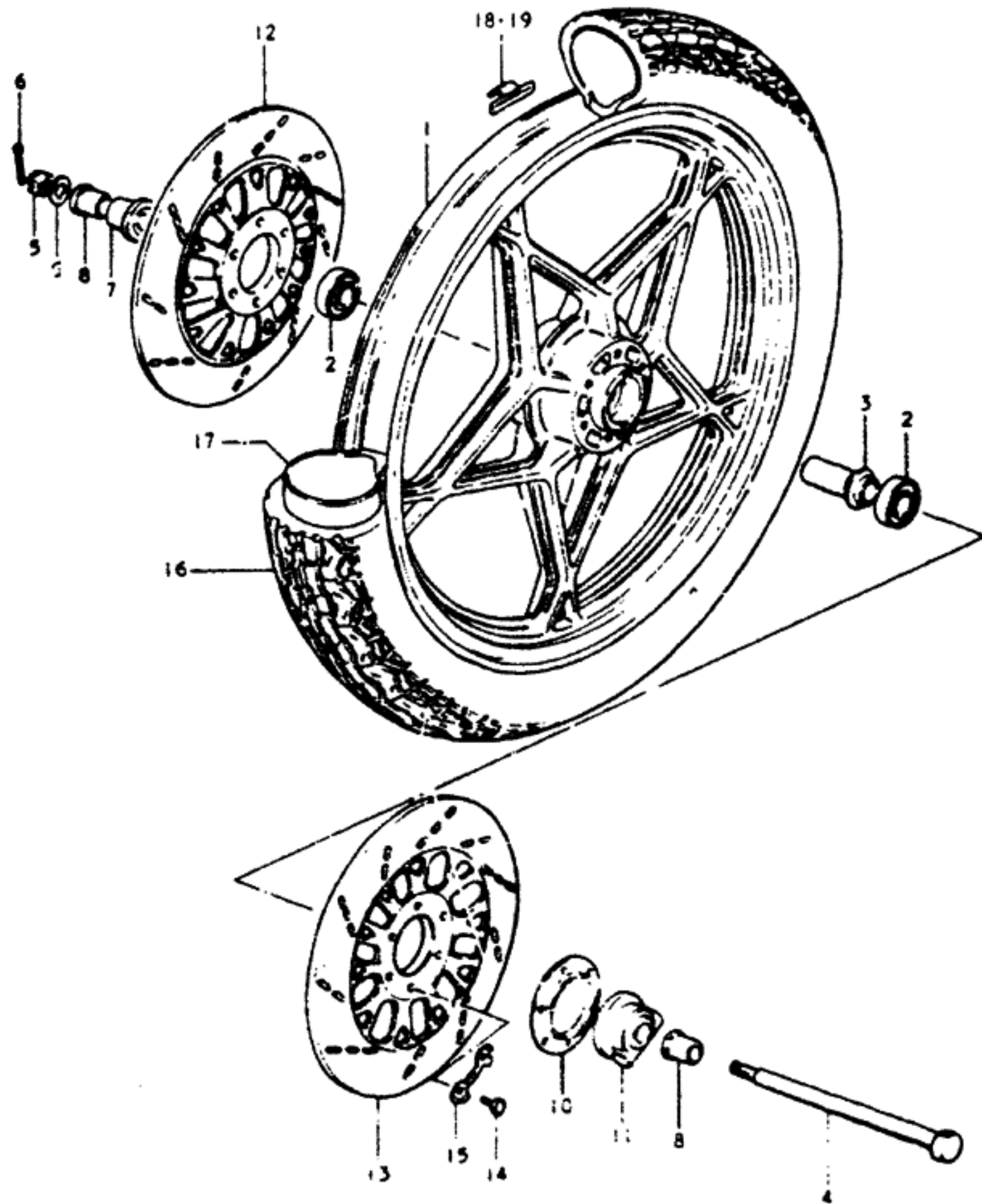
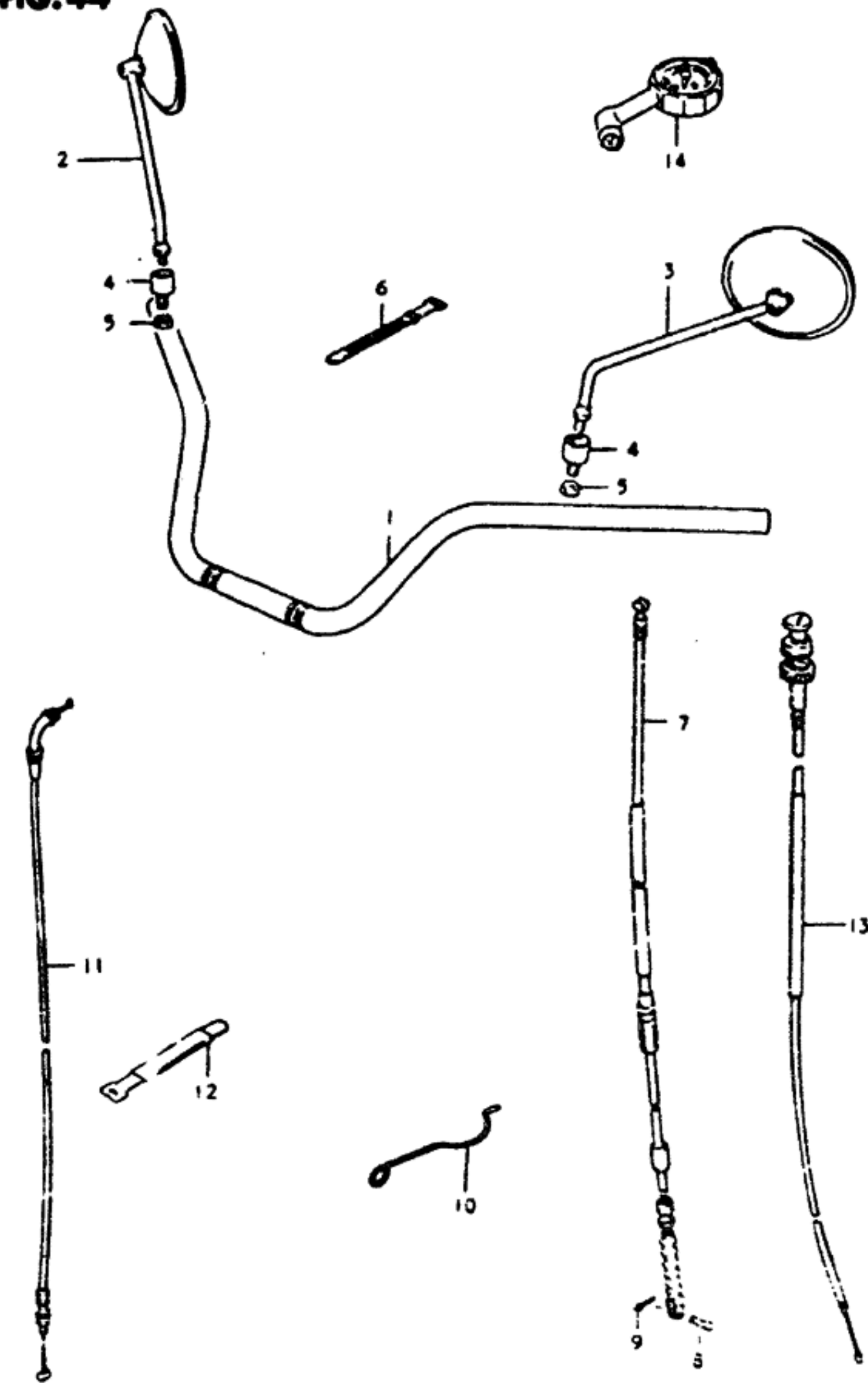


FIG.43 FRONT WHEEL

Ref. No.	Part No.	Description	Qty	Remarks
1	54111-45101	WHEEL, front (N19xMT1.85)	1	
2	08123-63027	BEARING	2	
3	54730-18400	SPACER	1	
4	54711-49000	AXLE, front	1	
5	08314-31128	NUT	1	
6	04111-30308	COTTER PIN	1	
7	54740-18402	SPACER, bearing RH	1	
8	54741-49000	SPACER, axle	2	
9	08322-21128	WASHER	1	
10	54871-45010	DUST SEAL	1	
11	54600-18401	BOX, speedometer gear	1	
12	59211-45250	DISK, front brake RH	1	
13	59221-45250	DISK, front brake LH	1	
14	09100-08140	BOLT	12	
15	09169-08016	WASHER	6	
16	55100-45116	TIRE (3.50H19)	1	
17	55200-15010	TUBE, inner (3.50-19)	1	
18	55411-45100	BALANCER (20g)	AR(0~3)	
19	55412-45100	BALANCER (30g)	AR(0~3)	

FIG.44

FIG.44 HANDLEBAR

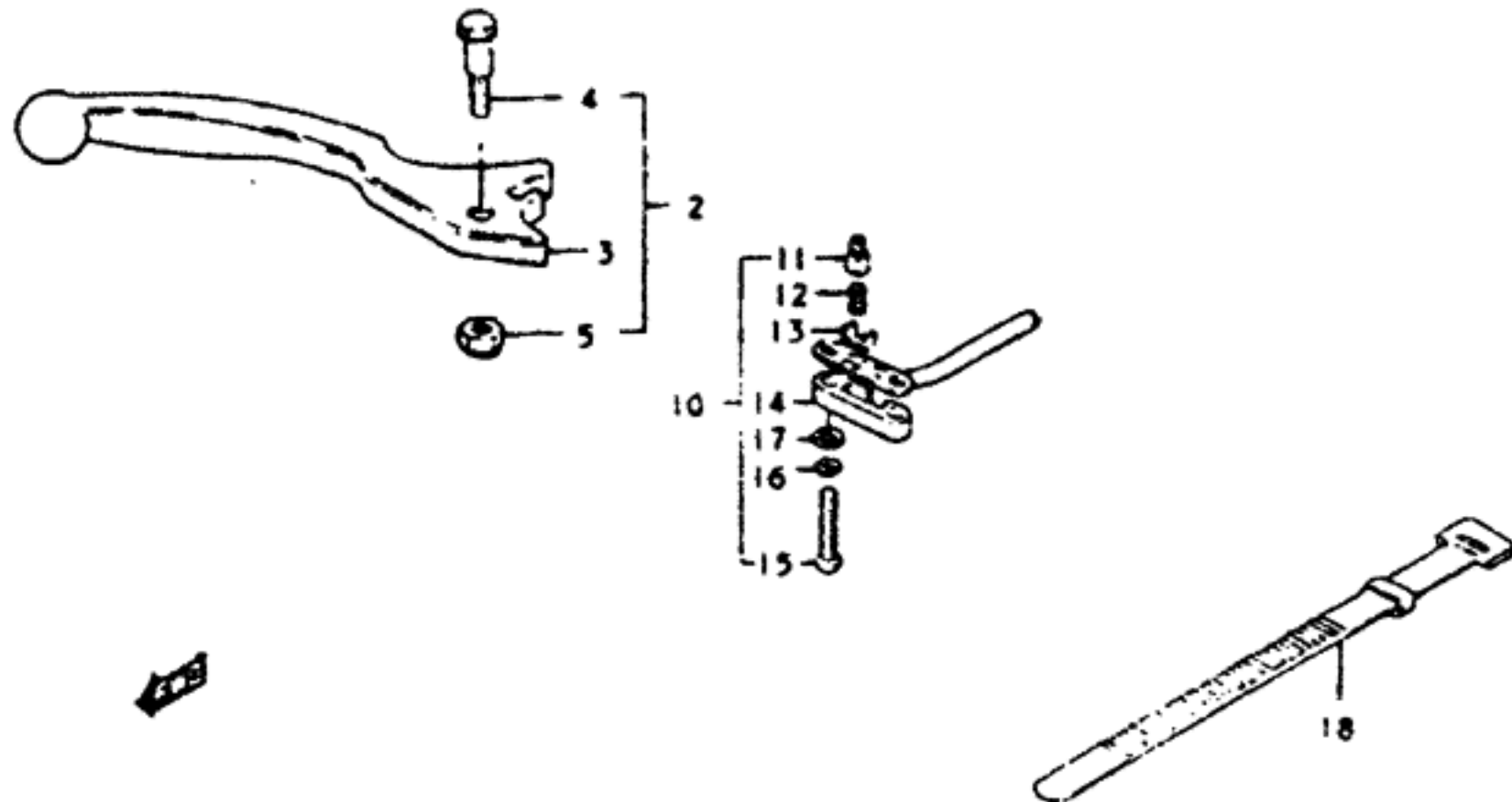
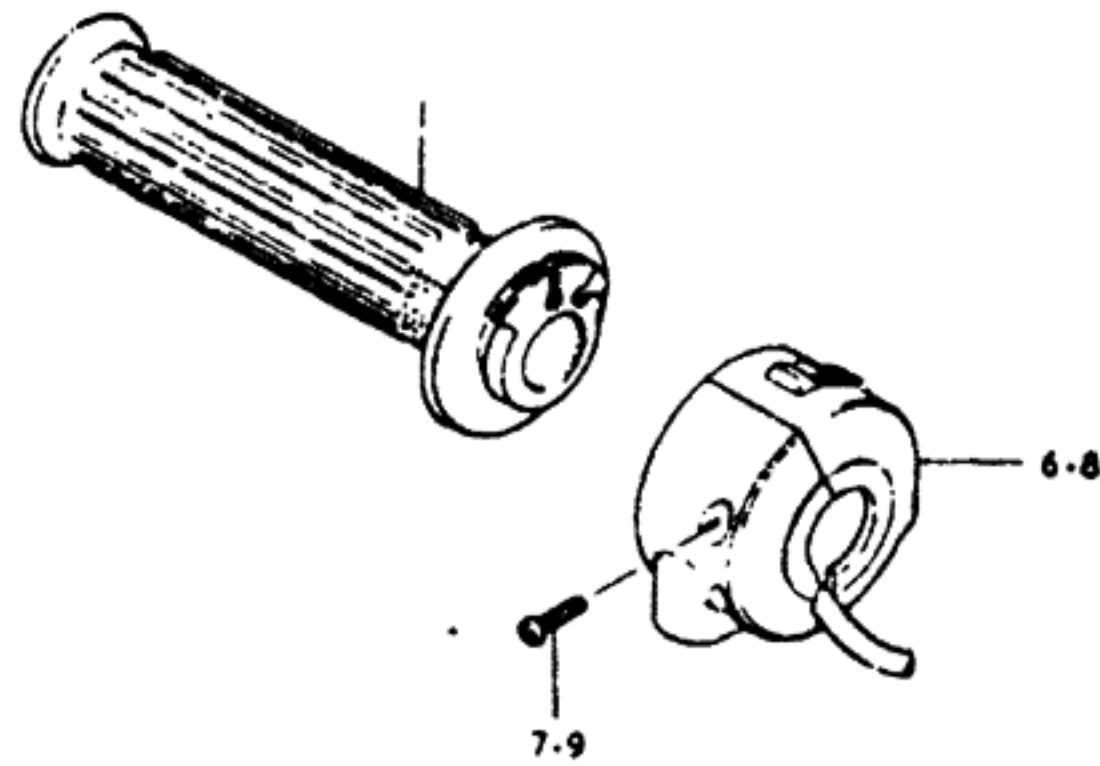


Ref. No.	Part No.	Description	Qty	Remarks
1	56110-45110	HANDLEBAR	1	
2	56500-45100	MIRROR, rear view RH	1	
3	56600-45100	MIRROR, rear view LH	1	
4	56700-31001	CUSHION, rear view mirror	2	
5	08310-22108	NUT	2	
6	09407-12402	BAND (L:120)	2	
7	58200-49100	CABLE, clutch	1	
8	09200-06011	PIN	1	
9	04111-20158	COTTER PIN	1	
10	58621-45100	GUIDE, clutch cable	1	
11	58300-44050	CABLE, throttle	1	
12	09403-00069	CLAMP	1	
13	58400-45110	CABLE, starter	1	
14	90200-41330	GAUGE, air pressure	1	



FIG. 45

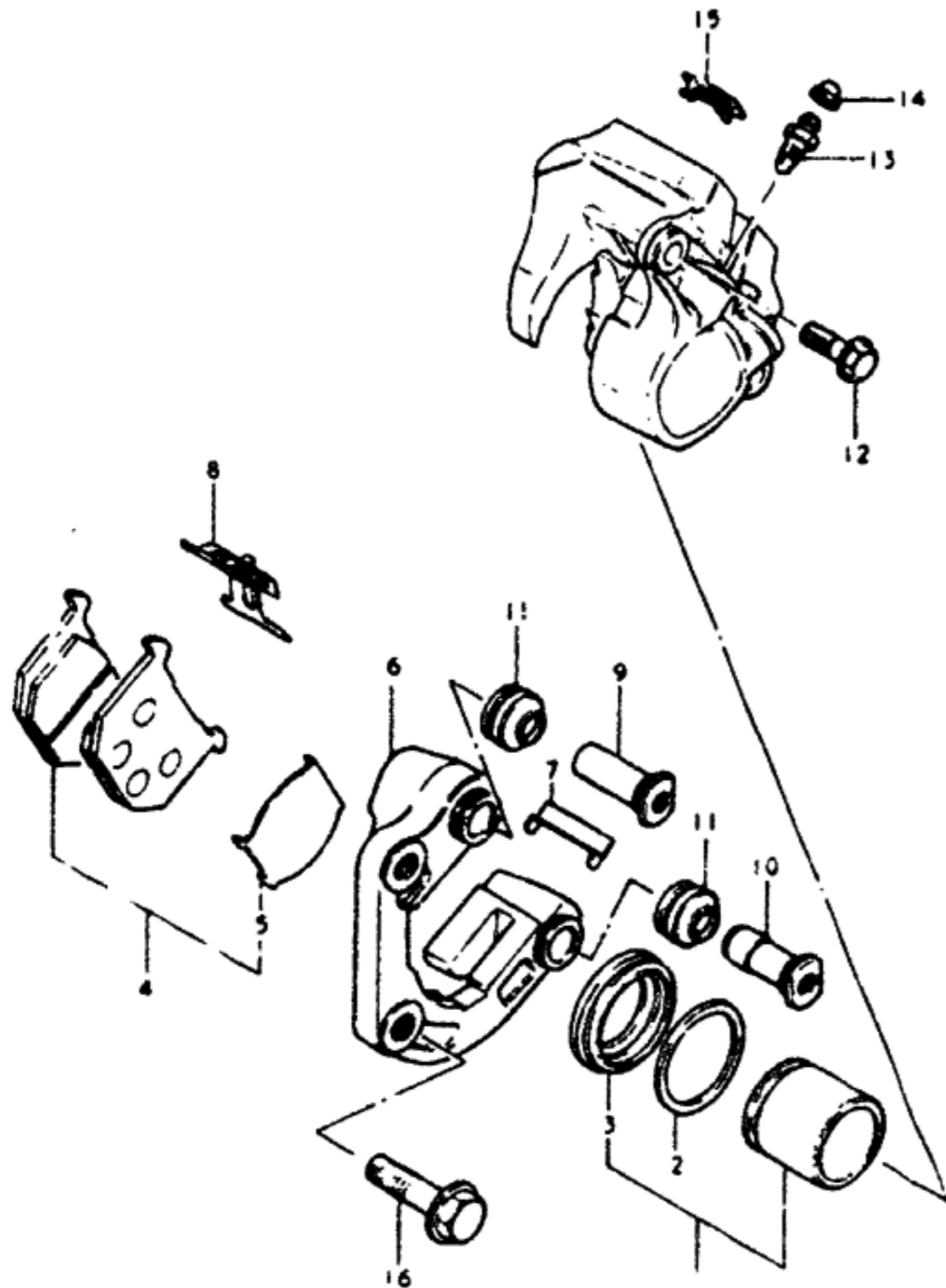
FIG. 45 RIGHT HANDLE SWITCH



Ref. No.	Part No.	Description	Qty	Remarks
1	57110-44011	GRIP, throttle	1	
2	57300-49101	LEVER ASSY, brake	1	
3	57420-49101	LEVER, brake	1	
4	57431-18621	BOLT	1	
5	08319-21068	NUT	1	
6	37200-49230	SWITCH ASSY, handle RH	1	
7	37591-49210	SCREW	2	
8	37200-49210	SWITCH ASSY, handle RH	1	OPT
9	37591-49210	SCREW	2	
10	57460-49100	SW. ASSY, front brake	1	
11	57461-18600	HOLDER	1	
12	57462-18600	SPRING	1	
13	57463-18600	PLATE	1	
14	57481-33010	COVER	1	
15	09125-03105	SCREW	2	
16	08321-21038	LOCK WASHER	2	
17	08322-21038	WASHER	2	
18	09407-12402	BAND (L:120)	2	

FIG. 47

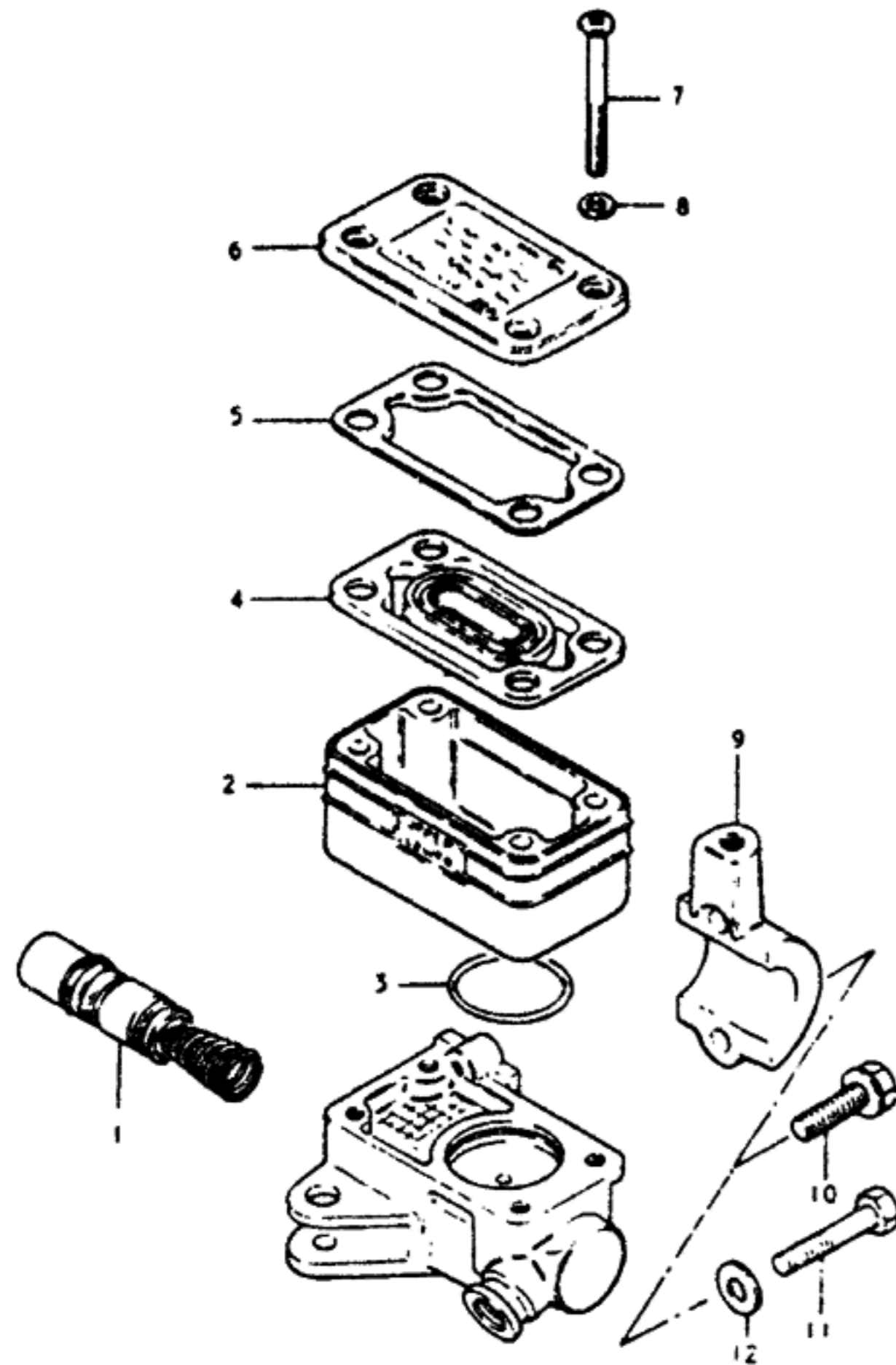
FIG. 47 FRONT CALIPERS



Ref. No.	Part No.	Description	Q'ty	Remarks
	59100-45200	CALIPERS ASSY, front RH	1	
	59300-45200	CALIPERS ASSY, front LH	1	
1	59301-45820	-PISTON SET	2	
2	59107-18410	-SEAL, piston	2	
3	59308-45200	-BOOT, piston	2	
4	59301-45810	-PAD SET	2	
5	59371-45200	-SHIM, pad	2	
6-1	59100-45880	-HOLDER SET, calipers RH	1	
6-2	59301-45840	-HOLDER SET, calipers LH	1	
7	59316-45200	-GUIDE, pad	4	
8	59315-45200	-SPRING, pad	2	
9	59305-45200	-AXLE, calipers No. 1	2	
10	59306-45200	-AXLE, calipers No. 2	2	
11	59312-45200	-BOOT, axle	2	
12	59314-45200	-BOLT	4	
13	59121-18410	-BLEEDER	2	
14	59122-18410	-CAP	2	
15	59324-45200	-COVER	2	
16	09103-10019	BOLT	4	

FIG. 48

FIG. 48 FRONT MASTER CYLINDER



Qty

Ref. No.	Part No.	Description	Qty	Remarks
	59600-45130	CYLINDER ASSY, master	1	
1-1	59600-45830	PISTON & CUP SET	1	model T
1-2	59600-45831	PISTON & CUP SET	1	model X
2	59687-45100	RESERVOIR	1	
3	59686-45100	O RING	1	
4	59667-45100	DIAPHRAGM	1	
5-1	59668-45100	PLATE, diaphragm	1	model T
5-2	59668-45101	PLATE, diaphragm	1	model X
6	59669-45130	CAP	1	
7	59691-45100	SCREW	4	
8	59692-45100	WASHER	4	
9	59671-45100	HOLDER	1	
10	59693-45100	BOLT	2	model T
11	01107-06258	BOLT	2	model X
12	08322-21068	LOCK WASHER	2	

FIG. 49

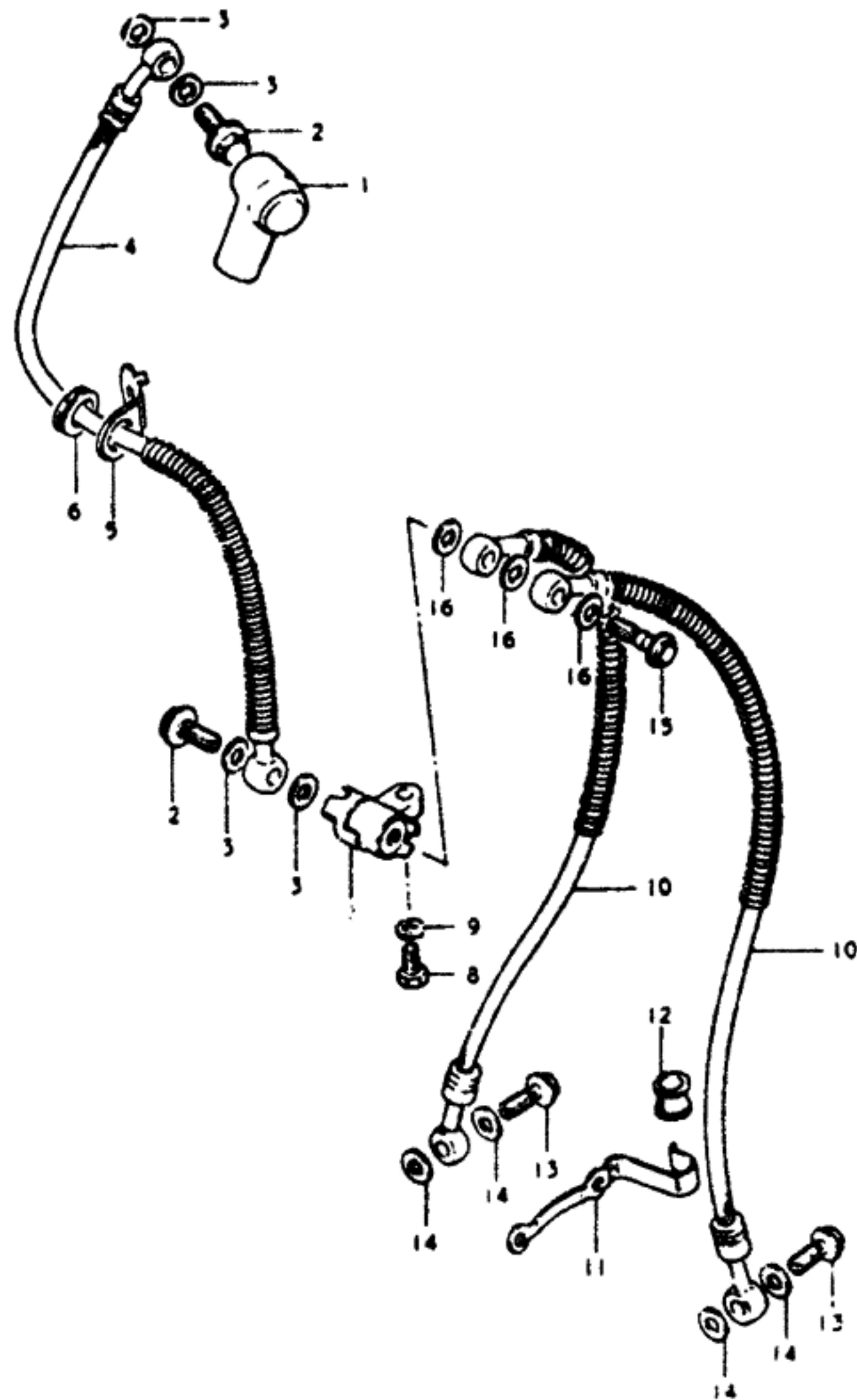
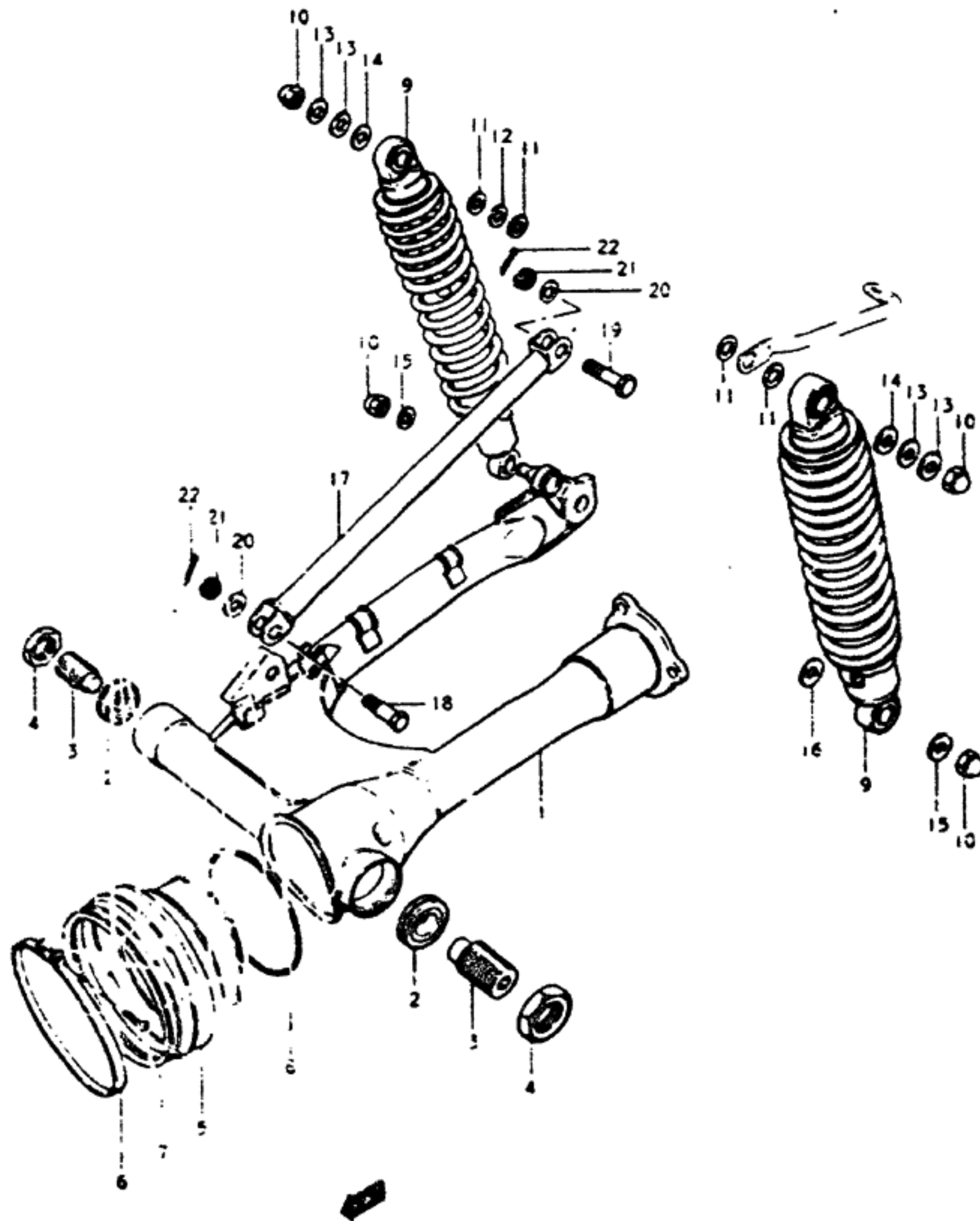


FIG. 49 FRONT BRAKE HOSE

Ref. No.	Part No.	Description	Qty	Remarks
1	59711-49001	BOOT, master cylinder	1	
2	09360-10007	UNION BOLT	2	
3	09161-10005	GASKET	4	
4	59480-49000	HOSE, brake No.1	1	
5	59243-31000	GUIDE, hose	1	
6	09308-14007	GROMMET	1	
7	59491-45000	JOINT, brake hose	1	
8	01107-06208	BOLT	1	
9	08321-21068	LOCK WASHER	1	
10	59240-45000	HOSE, brake No.2	2	
11-1	59268-49000	CLAMP, hose	2	model T
11-2	59268-49001	CLAMP, hose	2	model X
12	59244-49000	BUSHING	2	
13	09360-10007	UNION BOLT	2	
14	09161-10005	GASKET	4	
15	09360-10008	UNION BOLT	1	
16	09161-10005	GASKET	3	

FIG. 50

FIG. 50 REAR SWINGING ARM



Ref. No.	Part No.	Description	Qty	Remarks
1-1	61100-45820-019	REAR SWINGING ARM SET	1	Black, model T
1-2	61100-45821-019	REAR SWINGING ARM SET	1	Black, model X
2	09265-17012	-BEARING	2	
3	61213-45101	SHAFT, pivot	2	
4-1	09140-24009	NUT	2	model T
4-2	09140-24007	NUT	2	model X
5	61372-45102	BOOT, drive shaft	1	
6	09402-00304	CLAMP	1	
7	03211-04255	SCREW	1	
8	61373-45100	SPRING	1	
9	62100-45100	SHOCK ABSORBER, rear	2	
10	08313-11108	NUT	4	
11	08322-11128	WASHER, inner (12.5x22x2.3)	4	
12	09160-12012	WASHER, inner RH	1	12.5x24x3.2
13	09160-10001	WASHER, outer (10.5x24x2.3)	4	
14	09160-10033	WASHER, outer (10.5x24x3.2)	2	
15	09160-10001	WASHER, lower (10.5x24x2.3)	2	
16	08322-11128	WASHER, lower LH	1	12.5x22x2.3
17	64310-45100-019	TORQUE LINK, rear (Black)	1	
18	09111-10020	BOLT, front	1	
19	09101-10017	BOLT, rear	1	
20	08322-11108	LOCK WASHER	2	
21	08314-41108	NUT	2	
22	04111-20208	COTTER PIN	2	

FIG. 51

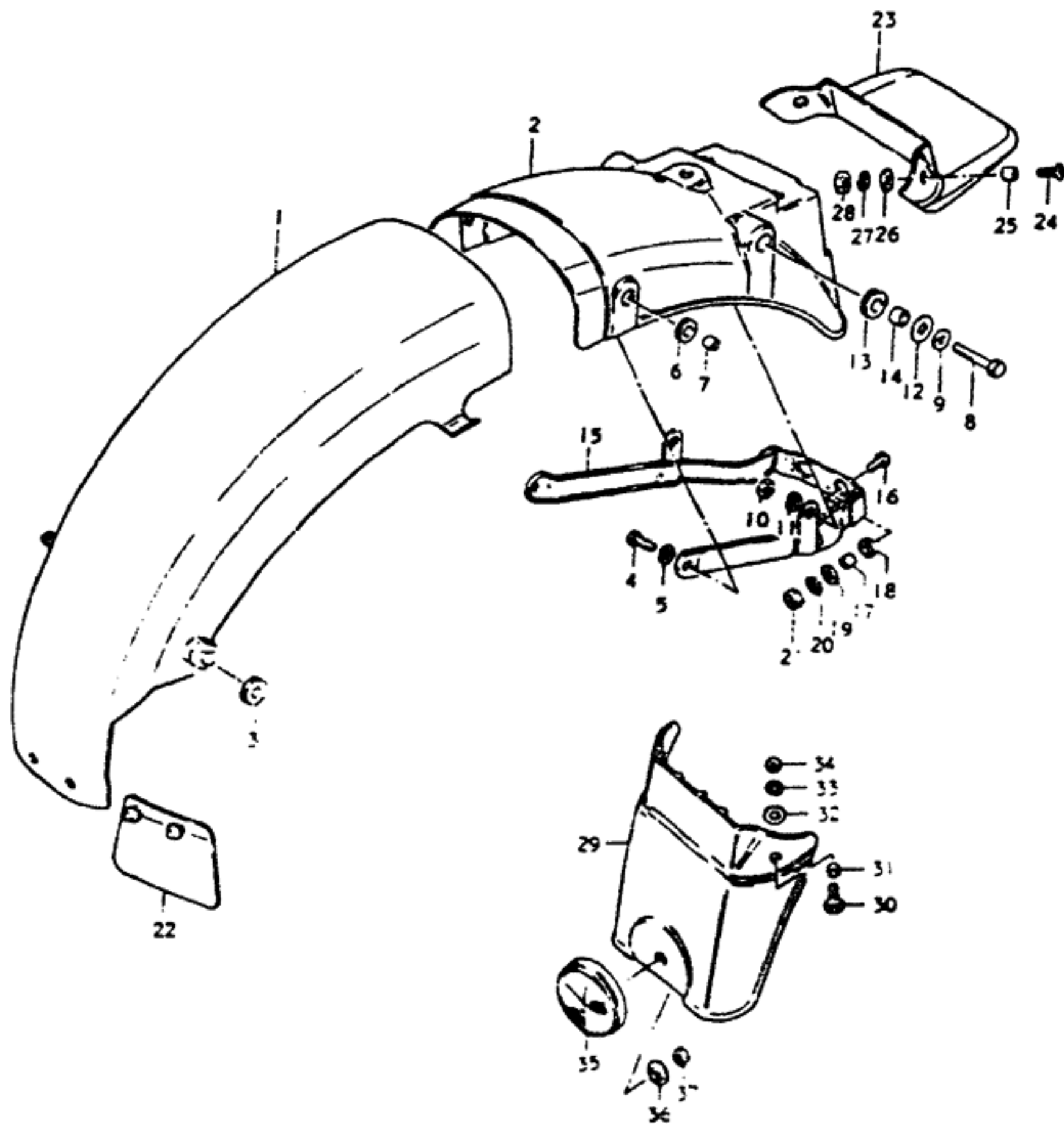


FIG. 51 REAR FENDER

Ref. No.	Part No.	Description	Qty	Remarks
1	63112-49001	BODY, rear fender front	1	
2	63113-49000-291	BODY, rear fender rear	1	Black
3	09320-08013	CUSHION	2	
4	01107-06208	BOLT	2	
5	08321-21068	LOCK WASHER	2	
6	09320-08007	CUSHION	2	
7	09180-06038	SPACER (6.1x9x7.5)	2	
8	01204-08457	BOLT	2	
9	08322-21088	WASHER	2	
10	08310-12088	NUT	2	
11	08321-21088	LOCK WASHER	2	
12	09160-08032	WASHER (8.5x26x1.2)	2	
13	09320-12011	CUSHION	2	
14	09180-08021	SPACER (8.2x11.8x7.5)	2	
15	63120-49000	REINFORCEMENT, rear fender	1	
16	02142-06207	SCREW	2	
17	09180-06011	SPACER (6.1x9x9)	2	
18	09320-08013	CUSHION	2	
19	09160-06012	WASHER (6.5x22x1.6)	2	
20	08321-21068	LOCK WASHER	2	
21	08310-11068	NUT	2	
22	63411-31900	MUD GUARD, rear fender	1	
23	63311-49030	EXTENSION, rear fender	1	
24	09125-05009	SCREW	2	
25	09180-06001	SPACER (6.2x8.3x5.7)	2	
26	09160-06028	WASHER (6.5x18x1)	2	
27	08321-21068	LOCK WASHER	2	
28	08310-11068	NUT	2	
29	63311-49000	EXTENSION, rear fender	1	
30	09125-06009	SCREW	3	-OPT
31	09180-06001	SPACER	3	
32	09160-06028	WASHER	3	
33	08321-21068	LOCK WASHER	3	
34	08310-11068	NUT	3	
35	35970-49030	REFLEX REFLECTOR	1	
36	09180-06048	WASHER	1	
37	08310-11068	NUT	1	

FIG. 52

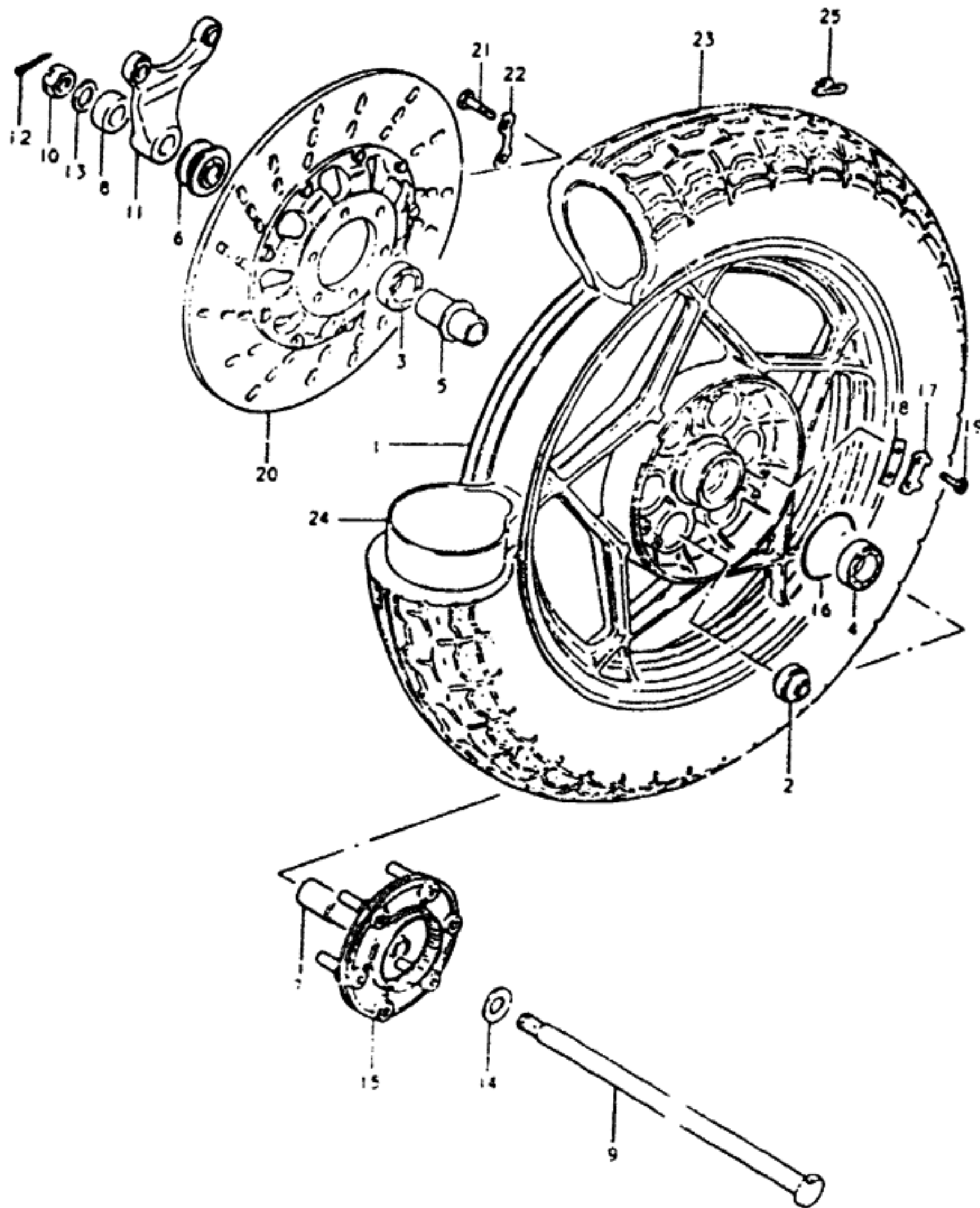
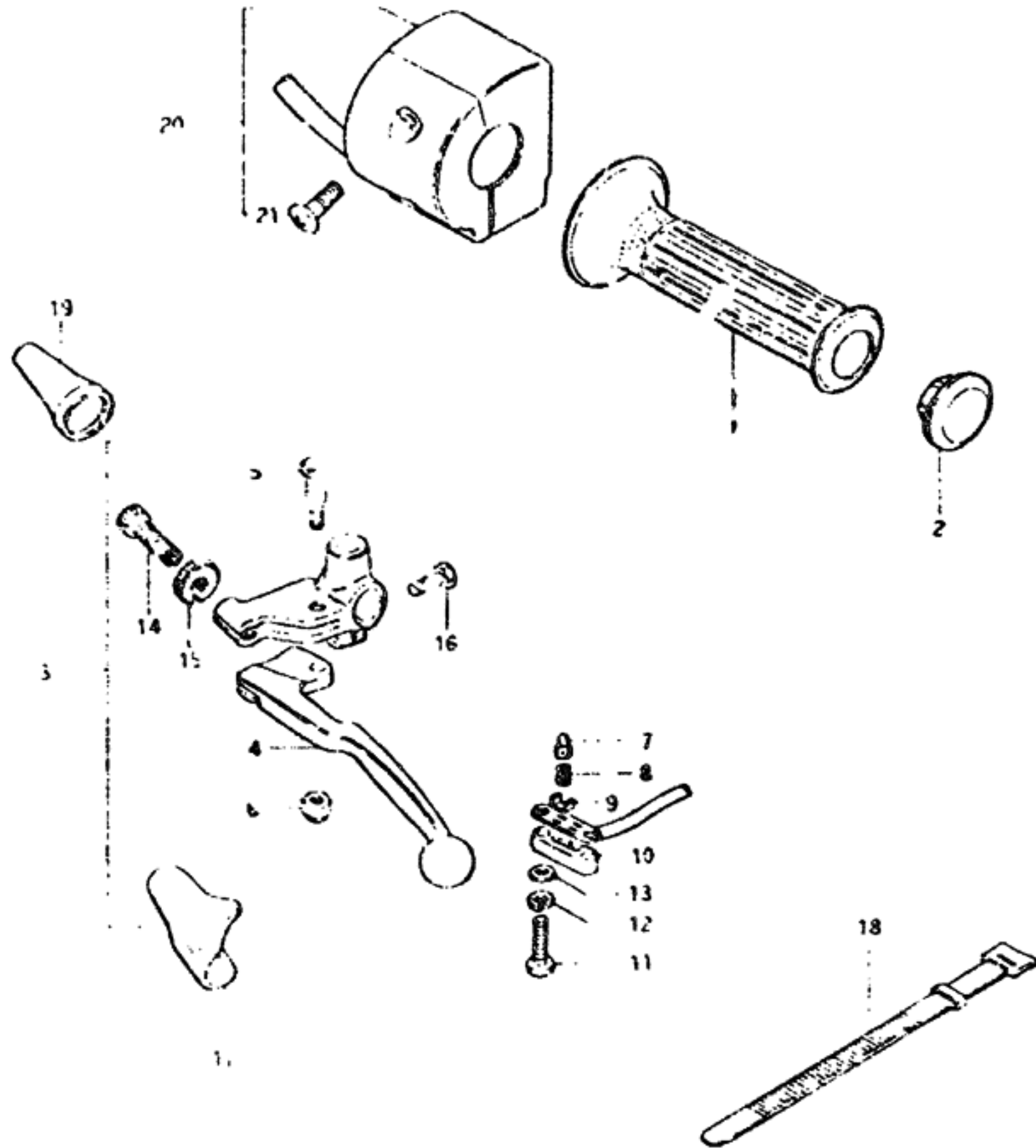


FIG. 52 REAR WHEEL

Ref. No.	Part No.	Description	Qty	Remarks
1	64100-45810	WHEEL, rear set	1	
2	09319-12019	BUSHING	6	
3	08123-63037	BEARING, RH	1	
4	08143-63037	BEARING, LH	1	
5	64730-45100	SPACER, bearing (L:73)	1	
6	64740-47001	SPACER, RH (L:23.5)	1	
7	64772-45100	SPACER, LH (L:85)	1	
8	09180-17053	SPACER, RH (17x33x15.2)	1	
9	64711-45100	AXLE, rear	1	
10	09141-16001	NUT	1	
11	69721-47001	BRACKET, rear calipers	1	
12	04111-40308	COTTER PIN	1	
13	08322-11168	WASHER	1	
14	09160-17018	WASHER, LH (17.5x36x3.2)	1	
15	64680-45112	JOINT ASSY, driven	1	
16	09280-65003	O RING	1	
17-1	64676-45112	WASHER (t:1.0)	3	model T
17-2	64676-45113	WASHER (t:0.8)	3	model T,X with 64677-45110
18	64677-45110	THRUST WASHER (t:1.6)	3	model T,X with 64670-45113
19	09120-06005	BOLT	6	
20	59210-18450	DISK, rear brake	1	
21	0-01094	BOLT	6	
22	3-08016	WASHER	3	
23	64700-45115	TIRE, rear (4.50H17)	1	
24	65200-49010	TUBE, inner	1	
25-1	55411-45100	BALANCER (20g)	AR(0~3)	
25-2	55412-45100	BALANCER (30g)	AR(0~3)	

**FIG. 53**

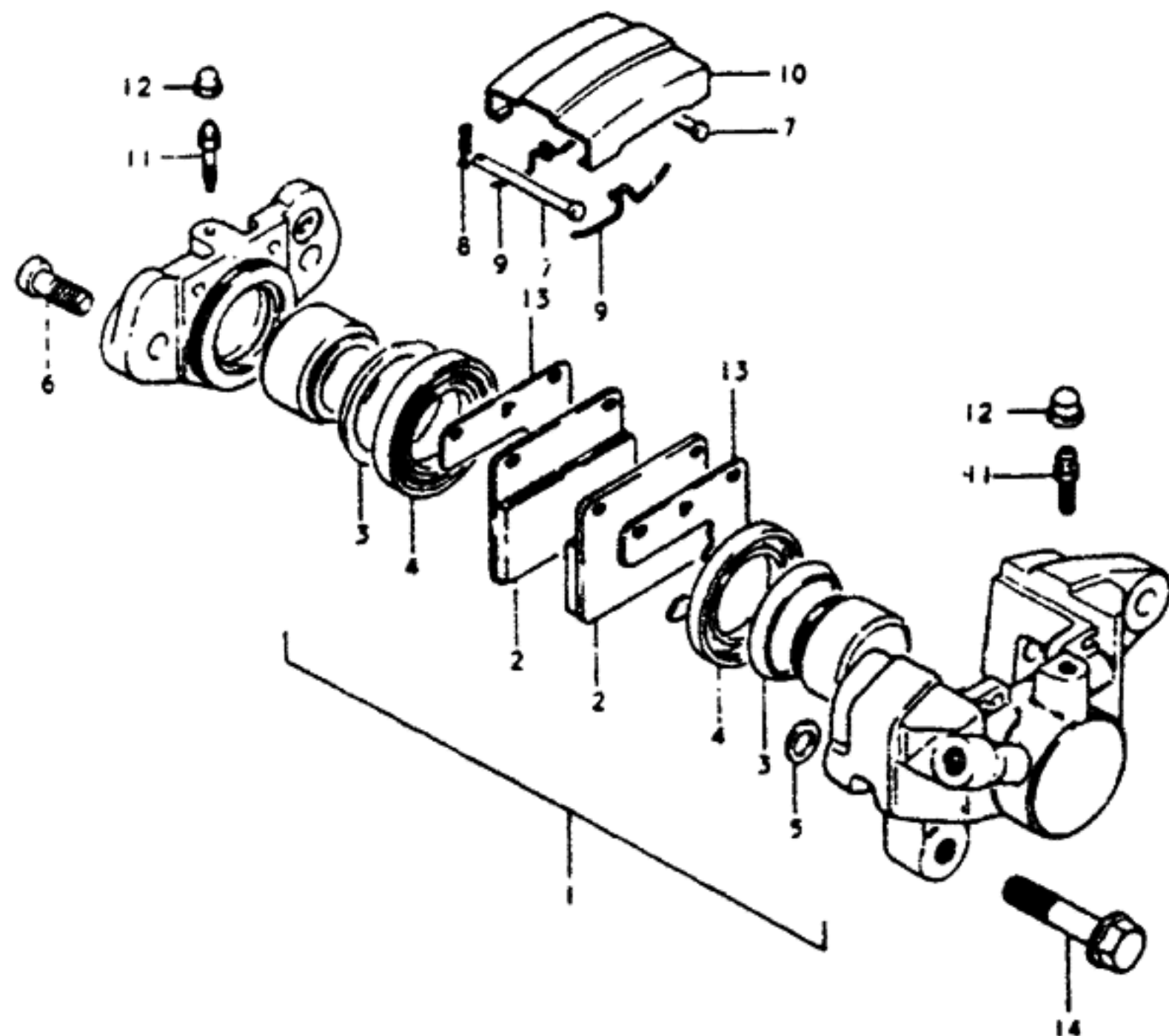
**FIG. 53 LEFT HANDLE SWITCH**



Ref. No.	Part No.	Description	Qty	Remarks
1	57211-44100	GRIP, LH	1	
2	57216-49100	CAP, grip end LH	1	
3	57500-49111	LEVER ASSY, clutch	1	
4	57620-49111	LEVER, clutch	1	
5	57431-11011	BOLT, lever	1	
6	08319-21068	NUT	1	
7	57461-18600	HOLDER	1	
8	57462-18600	SPRING	1	
9	57463-18600	CONTACT	1	
10	57481-33010	COVER	1	
11	09125-03105	SCREW	2	
12	08321-21038	LOCK WASHER	2	
13	08322-21038	WASHER	1	
14	57441-11010	ADJUSTER, cable	1	
15	57442-11010	NUT	1	
16	57451-49100	BOLT	1	
17	57661-31000	COVER	1	
18	09407-12402	BAND (L:120)	2	
19	58273-31000	BOOT	1	
20	37400-49230	SWITCH ASSY, handle LH	1	
21	02112-05165	SCREW	2	



**FIG. 53**



**FIG. 53 REAR CALIPERS**

Ref. No.	Part No.	Description	Qty	Remarks
	69100-45020	CALIPERS ASSY, rear	1	
1	69100-45850	·PISTON & PAD SET	1	
2	69130-45020	··PAD	2	
3	59107-18410	··SEAL, piston	2	
4	69108-45000	··BOOT, piston	2	
5	69107-45000	··SEAL, piston	1	
6	69145-45000	·BOLT, housing	2	
7	69141-45000	·PIN	2	
8	69142-45000	·CLIP	2	
9	69143-45001	·SPRING	2	
10	69151-45000	·DUST COVER	1	
11	59121-18410	·BLEEDER	2	
12	59122-18410	·CAP	2	
13	69152-45001	·SHIM	2	
14	01527-10305	BOLT	2	

FIG. 54

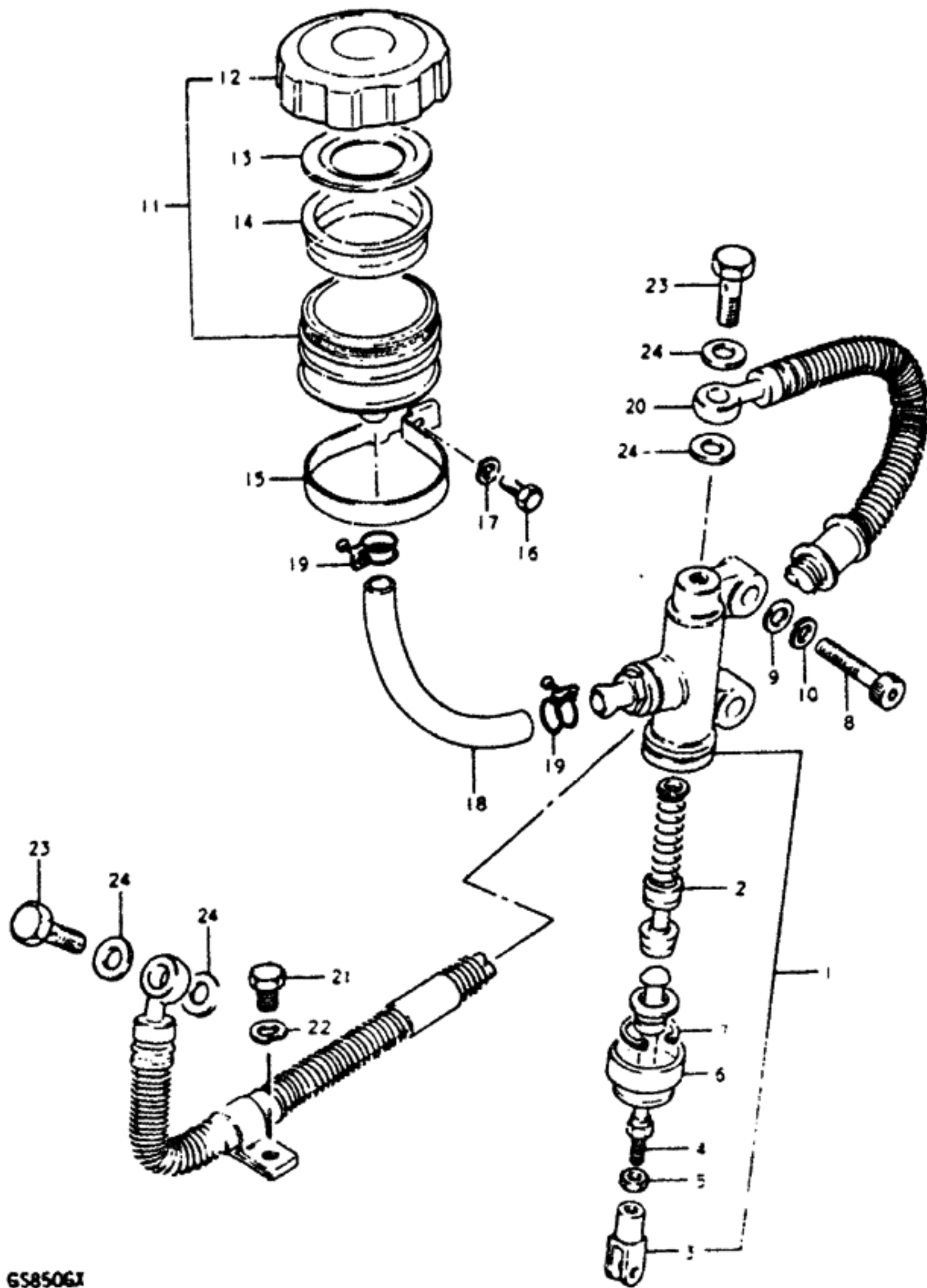


FIG. 54 REAR MASTER CYLINDER

Ref. No.	Part No.	Description	Qty	Remarks
1	69600-47001	·CYLINDER ASSY, rear master	1	
2	69600-45010	·PISTON & CUP SET	1	
3	69692-45001	·YOKE	1	
4	69670-43000	·ROD, push	1	
5	08310-12088	·NUT	2	
6	69691-45001	·BOOT	1	
7	51162-70040	·CIRCLIP	1	
8	09106-08013	BOLT	2	
9	08322-11088	WASHER	2	
10	08321-21088	LOCK WASHER	2	
11	69740-47011	RESERVOIR TANK ASSY	1	
12	59669-33603	·CAP	1	
13	59668-18441	PLATE, diaphragm	1	
14	59667-18441	·DIAPHRAGM	1	
15	09402-51601	CLAMP	1	
16	01107-06168	BOLT	1	
17	08321-21068	LOCK WASHER	1	
18	69731-47000	HOSE (L:120)	1	
19	09400-16301	CLAMP	2	
20	69480-45101	HOSE, rear brake	1	
21	01107-06108	BOLT	1	
22	08321-21068	LOCK WASHER	1	
23	09360-10007	UNION BOLT	2	
24	09161-10005	GASKET	4	

FIG.55

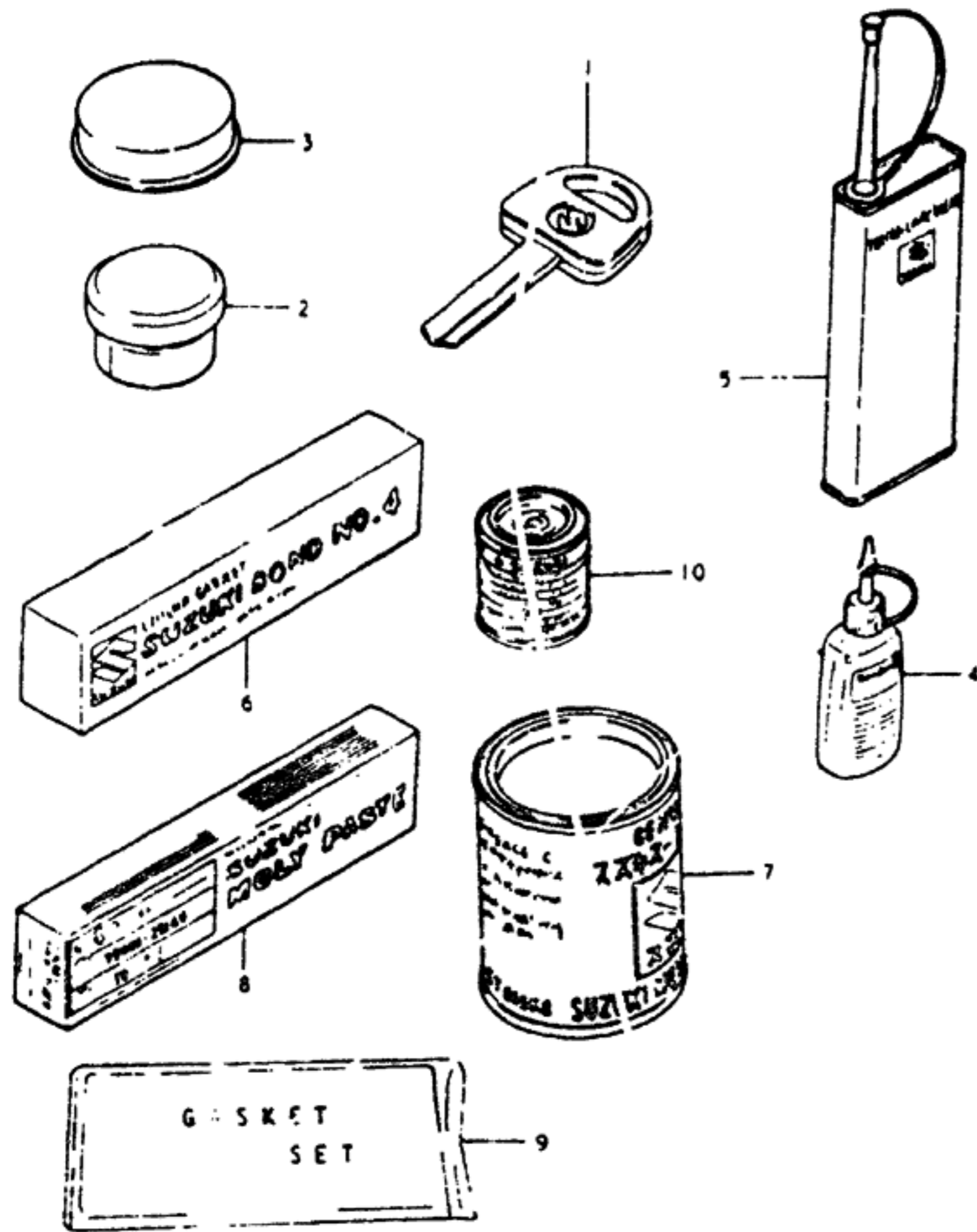


FIG.55 OPTIONAL

Ref. No.	Part No.	Description	Qty	Remarks
1	37146-47010	BLANK KEY	1	
2	99000-25110	BRAKE PAD GREASE (PBC)	1	NET:20g
3	99000-25100	CALIFERS AXLE GREASE	1	NET:20g
4-1	99104-32030	THREAD LOCK, super (1363A)	1	NET:50g
4-2	99000-32050	THREAD LOCK, super (1342)	1	NET:50g
4-3	99000-32090	THREAD LOCK, super (1332B)	1	NET:50g
5	99000-32040	THREAD LOCK CEMENT	1	NET:200g
6	99000-31030	SUZUKI BOND No.4	1	NET:100g
7	99000-25030	SUZUKI SUPER GREASE	1	NET:150g
8	99000-25140	SUZUKI MOLY PASTE	1	NET:50g
9	11401-45820	GASKET SET	1	
10-1	99000-10109-019	PAINT (Black)	1	} NET:90g
10-2	99000-10109-291	PAINT (Black Semi-Gloss)	1	
10-3	99000-10209-08E	PAINT (Pearl Black)	1	
10-4	99000-10209-08J	PAINT (Candy Lovelock Maroon)	1	
10-5	99000-10209-10U	PAINT (Marble Indigo)	1	
10-6	99000-10209-12G	PAINT (Eclair Brown Metallic)	1	