

Suzuki
GSX-R 1100
1986-1988

Figure	Description
0A	PREFACE
0B	COLOR CHART
0C	CONVERSION CHART
1	CYLINDER HEAD COVER
2	CYLINDER HEAD
3	CYLINDER
4	CRANKCASE
5	CRANKCASE COVER
6	OIL PAN
7	OIL PUMP
8	CRANKSHAFT
9	STARTER CLUTCH
10	CAM SHAFT - VALVE
11	CAM CHAIN
12	CARBURETOR
13	AIR CLEANER
14	MUFFLER
15	OIL COOLER
16	SECOND AIR (MODEL J CALIFORNIA ONLY)
17	CLUTCH
18	TRANSMISSION
19	GEAR SHIFTING
20	STARTING MOTOR
21	ALTERNATOR (MODEL G/H)
22	ALTERNATOR (MODEL J)
23	SIGNAL GENERATOR
24	BATTERY
25	ELECTRICAL
26	SPEEDOMETER
27	HEADLAMP
28	TURN SIGNAL LAMP
29	TAIL LAMP - LICENSE LAMP
30	WIRING HARNESS
31	FRAME
32	STAND
33	FOOTREST
34	FUEL TANK (MODEL G/H)
35	FUEL TANK (MODEL J)
36	CANISTER (CALIFORNIA ONLY)
37	FUEL COCK
38	SEAT (MODEL G/H)
39	SEAT (MODEL J)
40	SEAT TAIL COVER (MODEL G/H)
41	SEAT TAIL COVER (MODEL J)
42	FRAME COVER (MODEL G/H)
43	FRAME COVER (MODEL J)

Figure	Description
44	FRONT RIGHT DAMPER
45	FRONT LEFT DAMPER
46	STEERING STEM
47	FRONT FENDER (MODEL G)
48	FRONT FENDER (MODEL H/J)
49	FRONT WHEEL (MODEL G)
50	FRONT WHEEL (MODEL H)
51	FRONT WHEEL (MODEL J)
52	HANDLEBAR
53	HANDLE SWITCH
54	FRONT CALIPERS
55	FRONT BRAKE HOSE
56	FRONT MASTER CYLINDER
57	CLUTCH MASTER CYLINDER
58	CLUTCH HOSE
59	REAR SWINGING ARM
60	REAR SHOCK ABSORBER
61	REAR CUSHION LEVER
62	REAR FENDER
63	REAR WHEEL (MODEL G/H)
64	REAR WHEEL (MODEL J)
65	REAR CALIPER
66	REAR MASTER CYLINDER
67	COWLING (MODEL G)
68	COWLING (MODEL H)
69	COWLING (MODEL J9HD)
70	COWLING (MODEL J9SR)
71	OPTIONAL

PREFACE

When it becomes necessary to replace parts on SUZUKI MOTORCYCLES, always use SUZUKI GENUINE PARTS which have passed a strict inspection which guarantees quality and performance.

This parts catalogue covers the list of all service parts for SUZUKI GSX-R1100G, GSX-R1100H, GSX-R1100J.

INSTRUCTIONS FOR QUOTING THE CATALOGUE

1. DIMENSIONS

Dimensions of the parts in this catalogue are indicated in unit millimeters.

2. ABBREVIATIONS

Abbreviations used in this catalogue are as follows:

AR	: As required	NT	: Number of teeth
ASSY	: Assembly	OPT	: Optional
E.No.	: Engine number	OS	: Over size
F.No.	: Frame number	STD	: Standard
d	: Diameter of material	T	: Thickness
ID	: Inside diameter	US	: Under size
OD	: Outside diameter	W	: Width
L	: Length		
LH	: Left hand side		
RH	: Right hand side		

~123456 : Up to F.No.JS1GU74A G2123456

123456~ : From F.No.JS1GU74A G2123456

12 x 34 x 5.6Figures in the description column
show the dimensions of parts.

| | |
ID OD T(or W,L)

3. INNER PARTS OF ASSEMBLY

Part name with a dot (.) in front as shown in the description column indicates the component of the assembly also available individually.

4. MODIFICATION NOTICE

A parts bulletin will be sent to you on all occasions when changes in parts occur, including interchangeable modifications between new parts and old ones.

5. NOTE

- 5-1. There are some different parts from those of production models among spare parts for the administrative reasons and common use of them with other models.
- 5-2. In respect of rubber hoses and vinyl tubes, please be sure to use them by cutting off according to the length mentioned on parts catalogue or what is actually required on the vehicle.
- 5-3. Note that the drawings on the illustration page are for ready reference of spare parts number, not to be used as an assembly manual. When assembling, use "SUZUKI SERVICE MANUAL".

6. ON ISSUE TO NEW SPARE PARTS CATALOGUE

This parts catalogue was arranged to include modifications as of Sep., 1987. Once each year new parts catalogue will be issued, containing, of course, all prior modifications. Upon receipt of each new issue the old catalogue should be destroyed.

7. SERIAL FRAME NUMBER

GSX-R1100G : JS1GU74A G2100001~

GSX-R1100H : JS1GU74A H2100001~

GSX-R1100J : JS1GU74A J2100001~

COLOR CHART
 TABLEAU DES COULEURS
 CUADRO DE COLORES
 FARBTABELLE

COLOR NO. NO DE COULEUR NO. DE COLOR FARB CODE	COLOR DESCRIPTION DESCRIPTION DE COULEUR DESCRIPCIÓN DE COLOR FARB BESCHREIBUNG	COLOR NO. NO DE COULEUR NO. DE COLOR FARB CODE	COLOR DESCRIPTION DESCRIPTION DE COULEUR DESCRIPCIÓN DE COLOR FARB BESCHREIBUNG
019	BLACK	30X	MARBLE PERSEC BLUE
064	PURE WHITE	33N	MARBLE PARSEC BLUE
07G	PURE RED (TAPE)	34R	CANDY STARLIT BLUE METALLIC
08L	LIGHT BLUE (TAPE)	39K	MARBLE EUROPEAN BLUE
08Y	RACING BLUE	4VP	FREYJA RED
13L	BRIGHT SILVER METALLIC	49T	DARK ROYAL BLUE
13Z	SPACE BLACK	5DK	PARSEC BLUE
2FF	39K, 33N	58D	SUPER BLUE NO.2
2GK	13Z, 07G, 22R	58E	STORM RED
2GL	13Z, 22P, 22R	58R	BLACK
2GR	33N, 07G, 39K	60K	019, 064
2GS	22R, 07G, 39K, 33N	65G	064, 742
2GZ	22R, 39K	66P	07G, 742
2HD	13Z, 22R	7JJ	22R, 22P
22P	PEARL TWINKLE RED	7JS	742, 22P
22R	PEARL COOL WHITE	7VR	08L, 742, 23Z
23Z	POWERFUL BLUE	724	SKY BLUE (TAPE)
28G	GSX-R BLUE	742	SILVER METALLIC (TAPE)
28H	GSX-R SILVER	8JV	22R, 23Z
28W	SPECIAL WHITE	8JW	22P, 23Z
291	BLACK (SEMI-GLOSS)	8KA	22R, 23Z, 08L, 724
30H	SPECIAL WHITE NO.2	8KB	22P, 23Z, 064, 742

MILLIMETER → INCH CONVERSION CHART
 TABLEAU DE CONVERSION DE MILLIMETRES → POUCES

	0	1	2	3	4	5	6	7	8	9
00	.000	.039	.079	.118	.157	.197	.236	.276	.315	.354
10	.394	.433	.472	.512	.551	.591	.630	.669	.709	.748
20	.787	.827	.866	.906	.945	.984	1.024	1.063	1.102	1.142
30	1.181	1.220	1.260	1.299	1.339	1.378	1.417	1.457	1.496	1.535
40	1.575	1.614	1.654	1.693	1.732	1.772	1.811	1.850	1.890	1.929
50	1.969	2.008	2.047	2.087	2.126	2.165	2.205	2.214	2.283	2.323
60	2.362	2.402	2.441	2.480	2.520	2.559	2.598	2.638	2.677	2.717
70	2.756	2.795	2.835	2.874	2.913	2.953	2.992	3.031	3.071	3.110
80	3.150	3.189	3.228	3.268	3.307	3.346	3.386	3.425	3.465	3.504
90	3.543	3.583	3.622	3.661	3.701	3.740	3.780	3.819	3.858	3.898

How to read
 Mode de lecture

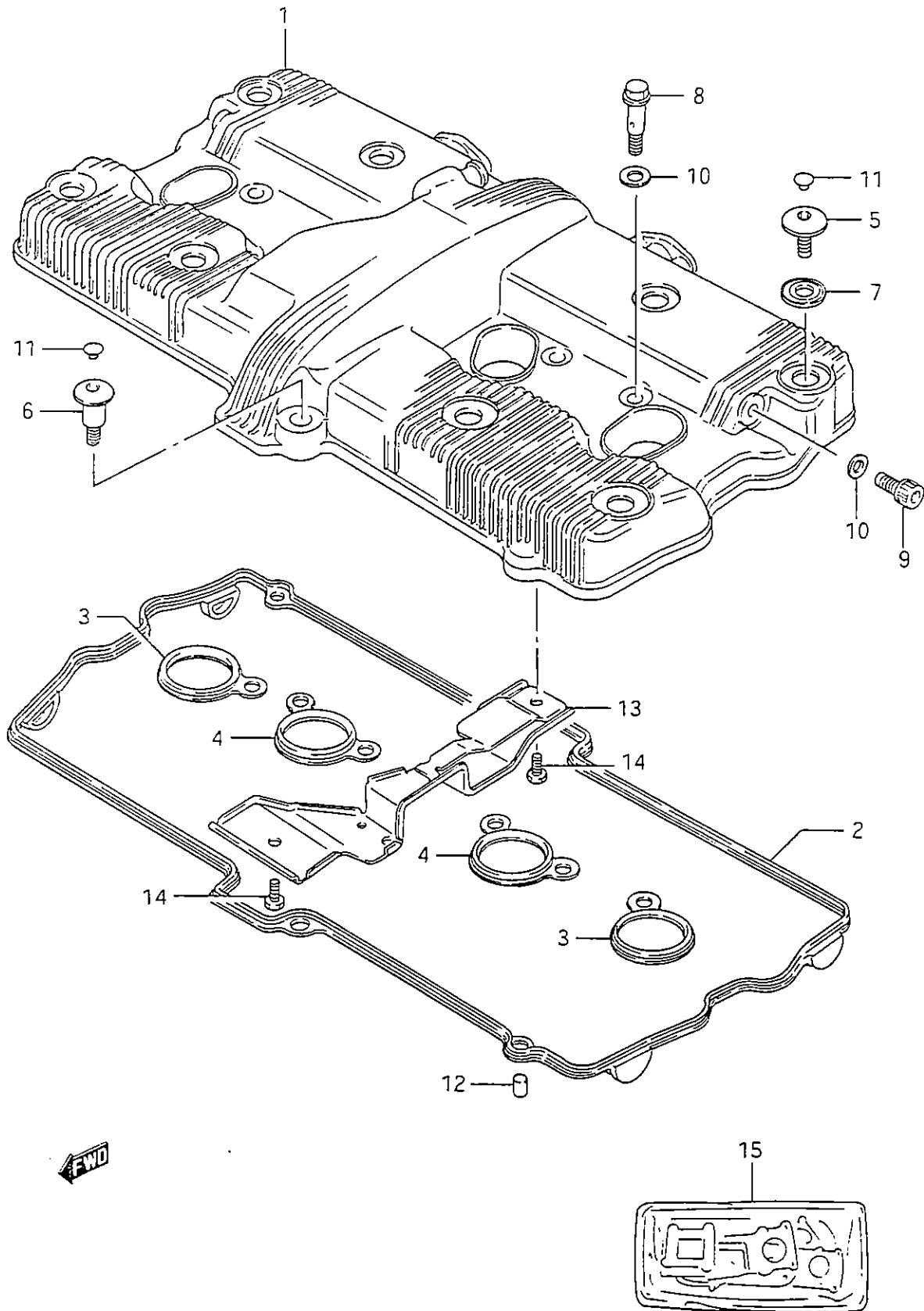
	0	1	2	3	4	
00
10
20	0.906
30

23 millimeters equal 0.906 inch
 23 millimètres égalent 0.906 pouce

Contents are subject to change without notice or obligation.

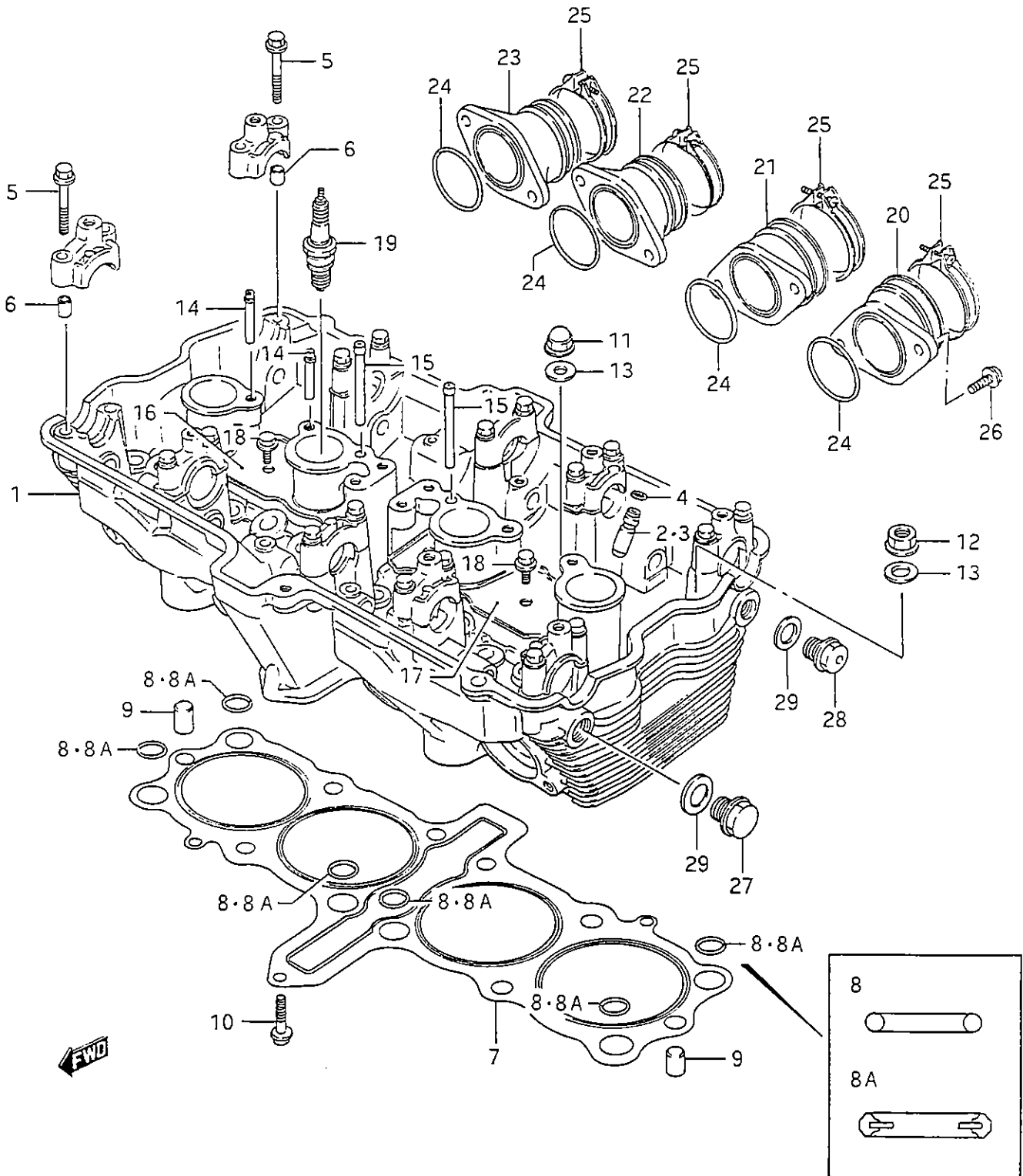
Les matières traitées sont susceptibles d'être modifiées sans préavis obligation de notre part.

FIG. 1



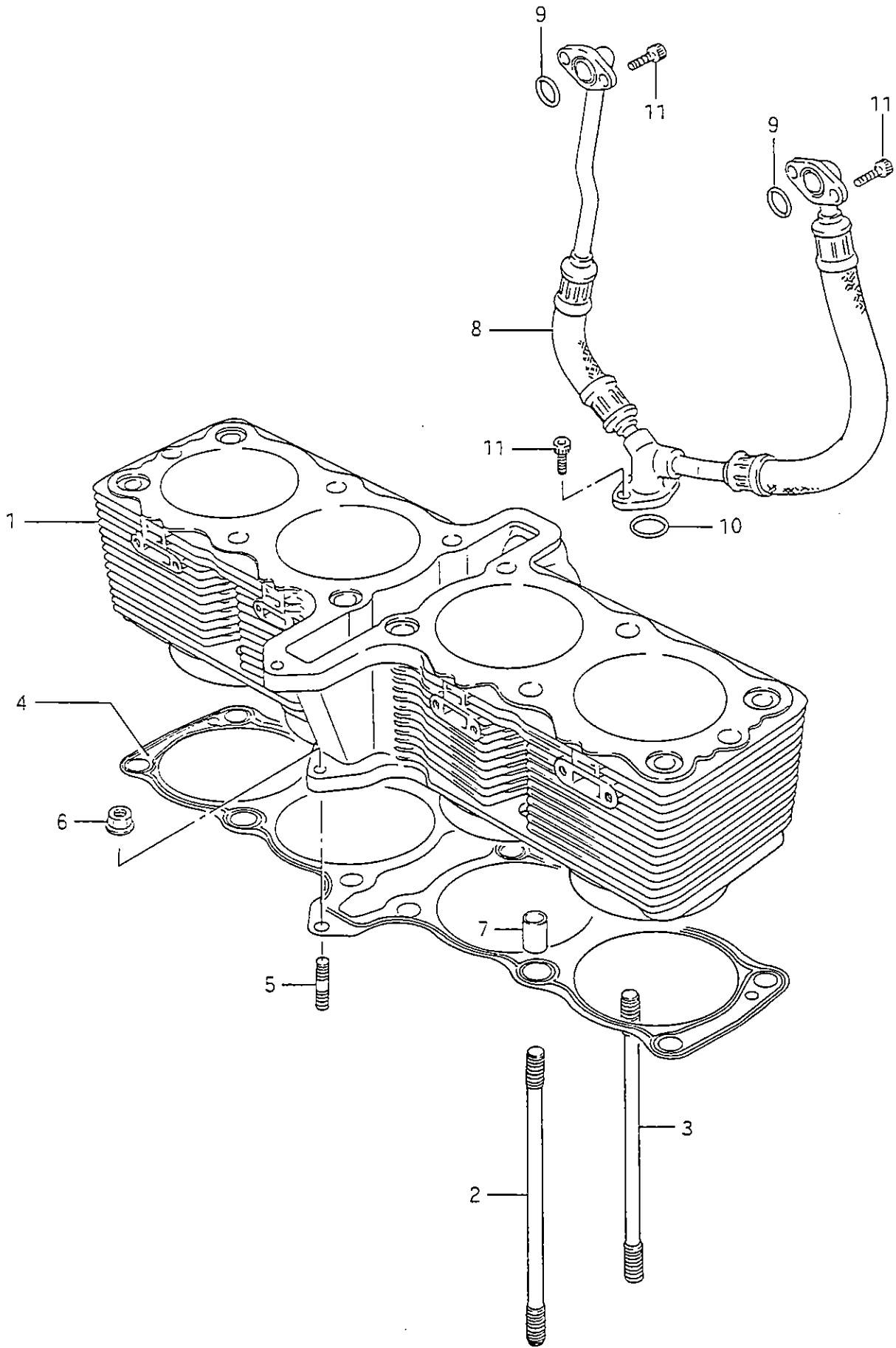
1	11170-06B05	COVER, CYLINDER HEAD	1	
2	11173-06B01	GASKET, HEAD COVER NO.1	1	
3	11178-27A00	GASKET, HEAD COVER NO.2	2	
4	11179-27A01	GASKET, HEAD COVER NO.3	2	
5	09106-07009	BOLT (L:5.5)	8	
6	09106-07010	BOLT (L:19)	2	
7	09161-11006	WASHER	8	
8	09360-08009	BOLT, UNION	4	
9	07110-08125	PLUG, HEAD COVER	2	
10	09168-08008	GASKET	6	
11	09250-06008	CAP	10	
12	04221-08129	PIN	2	
13	11180-06B00	COVER, BREATHER	1	
14	01107-05127	BOLT	4	
15-1	11400-06850	GASKET SET	1	OPT MODEL G/H
15-2	11400-06855	GASKET SET	1	OPT MODEL J

FIG.2



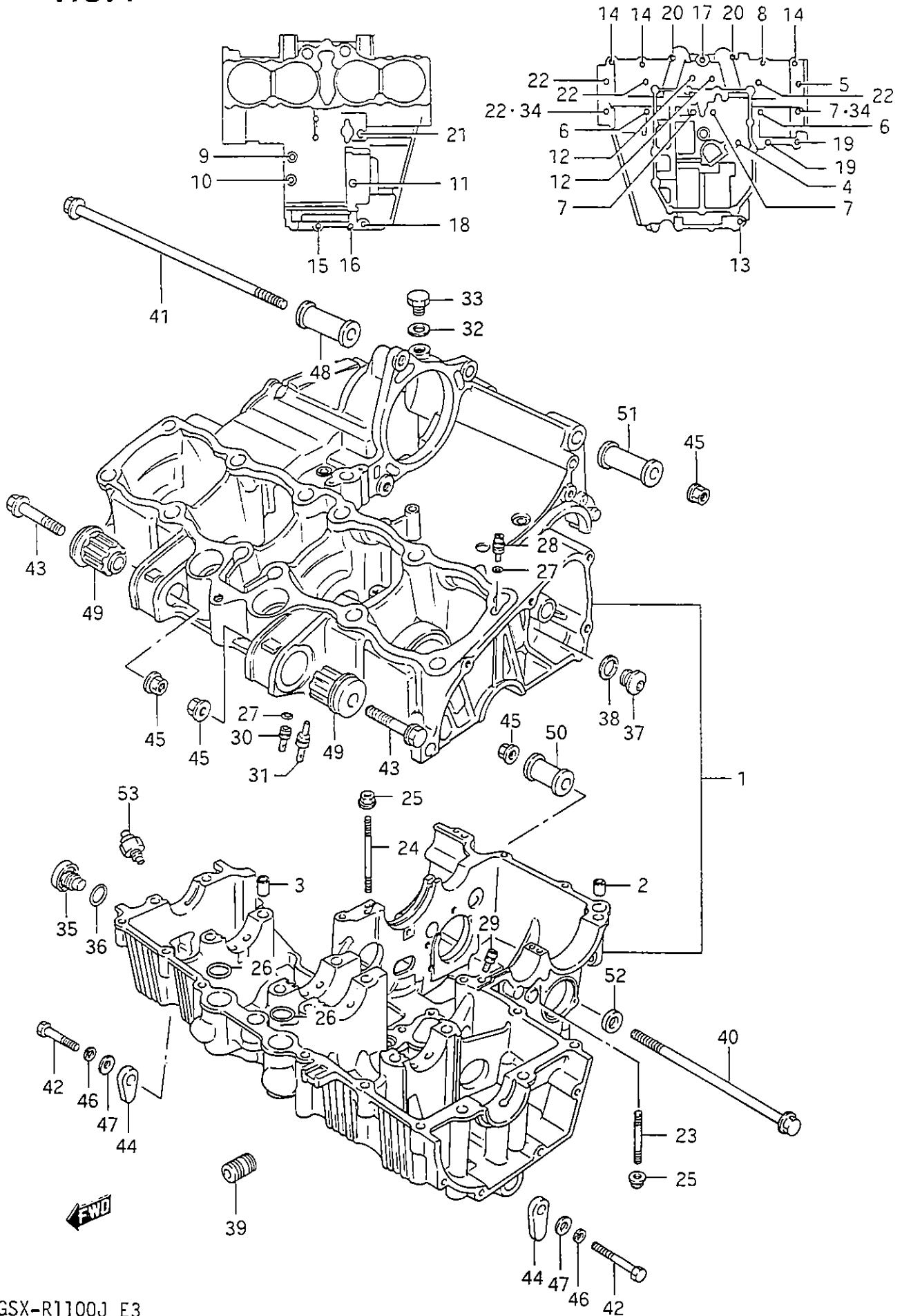
1-1	11100-06B05	HEAD ASSY, CYLINDER	1	OTHER THAN CALIFORNIA
1-2	11100-06B10	(CA) HEAD ASSY, CYLINDER	1	CALIFORNIA ONLY
2	11115-27A70	.GUIDE, VALVE, IN	8	
3	11116-06B70	.GUIDE, VALVE, EX	8	
4	09381-10004	.RING, VALVE GUIDE	16	
5	09103-06026	.BOLT (6X39)	20	
6	09206-08001	.PIN	20	
7-1	11141-06B00	GASKET, CYLINDER HEAD	1	MODEL G/H
7-2	11141-06B11	GASKET, CYLINDER HEAD	1	MODEL J
8	11143-27A51	O RING	6	
8A	11143-06B00	O RING	6	
9	09209-11006	PIN	2	
10	01517-06254	BOLT	1	
11	09159-10054	NUT	8	
12	08316-16106	NUT	4	
13	09168-10031	GASKET	12	
14	11131-27A00	PIPE, OIL NO.1,2	4	
15	11133-27A00	PIPE, OIL NO.3	2	
16	11135-27A02	PLATE, OIL PIPE RH	1	
17	11136-27A02	PLATE, OIL PIPE LH	1	
18	01517-06128	BOLT	4	
19-1	09482-00365	SPARK PLUG (NGK,J9A)	4	
19-2	09482-00371	SPARK PLUG (NGK,J10A)	4	OPT
20	13110-06B00	PIPE, INTAKE LH	1	
21	13120-06B00	PIPE, INTAKE ML	1	
22	13130-06B00	PIPE, INTAKE MR	1	
23	13140-06B00	PIPE, INTAKE RH	1	
24	13115-27A01	O RING	4	
25	09402-50208	CLAMP	4	
26	02152-06165	SCREW	8	
27-1	09247-14034	PLUG, CYLINDER HEAD EX	2	OTHER THAN CALIFORNIA
27-2	09247-14032	(CA) PLUG, CYLINDER HEAD EX	2	CALIFORNIA ONLY
28	09247-14032	PLUG, CYLINDER HEAD IN	2	
29	09168-14004	GASKET	4	

FIG. 3



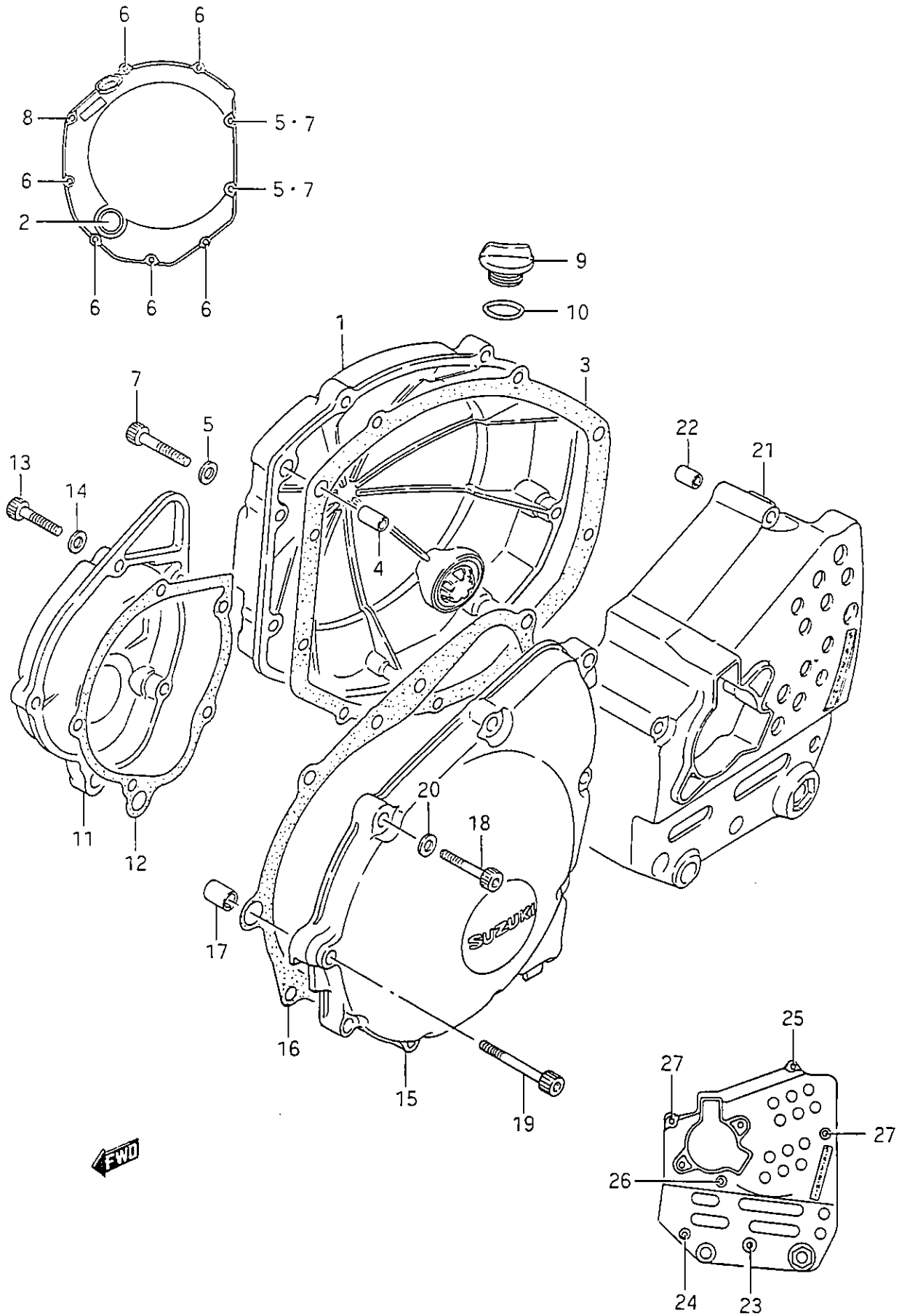
1-1	11210-06B01	CYLINDER	1	OTHER THAN CALIFORNIA
1-2	11210-06B11	(CA) CYLINDER	1	CALIFORNIA ONLY
2	09108-10081	STUD BOLT (10X164)	8	
3	09108-10080	STUD BOLT (10X157)	4	
4	11241-27A02	GASKET, CYLINDER	1	
5	01421-06205	STUD BOLT	1	
6	08316-16064	NUT	1	
7	09206-13006	PIN	2	
8-1	11328-06B00	HOSE, OIL HEAD COOLER	1	MODEL G
8-2	11328-48B00	HOSE, OIL HEAD COOLER	1	MODEL H/J
9	09280-14011	O RING	2	
10	09280-15007	O RING	1	
11	07110-06165	BOLT	6	

FIG. 4



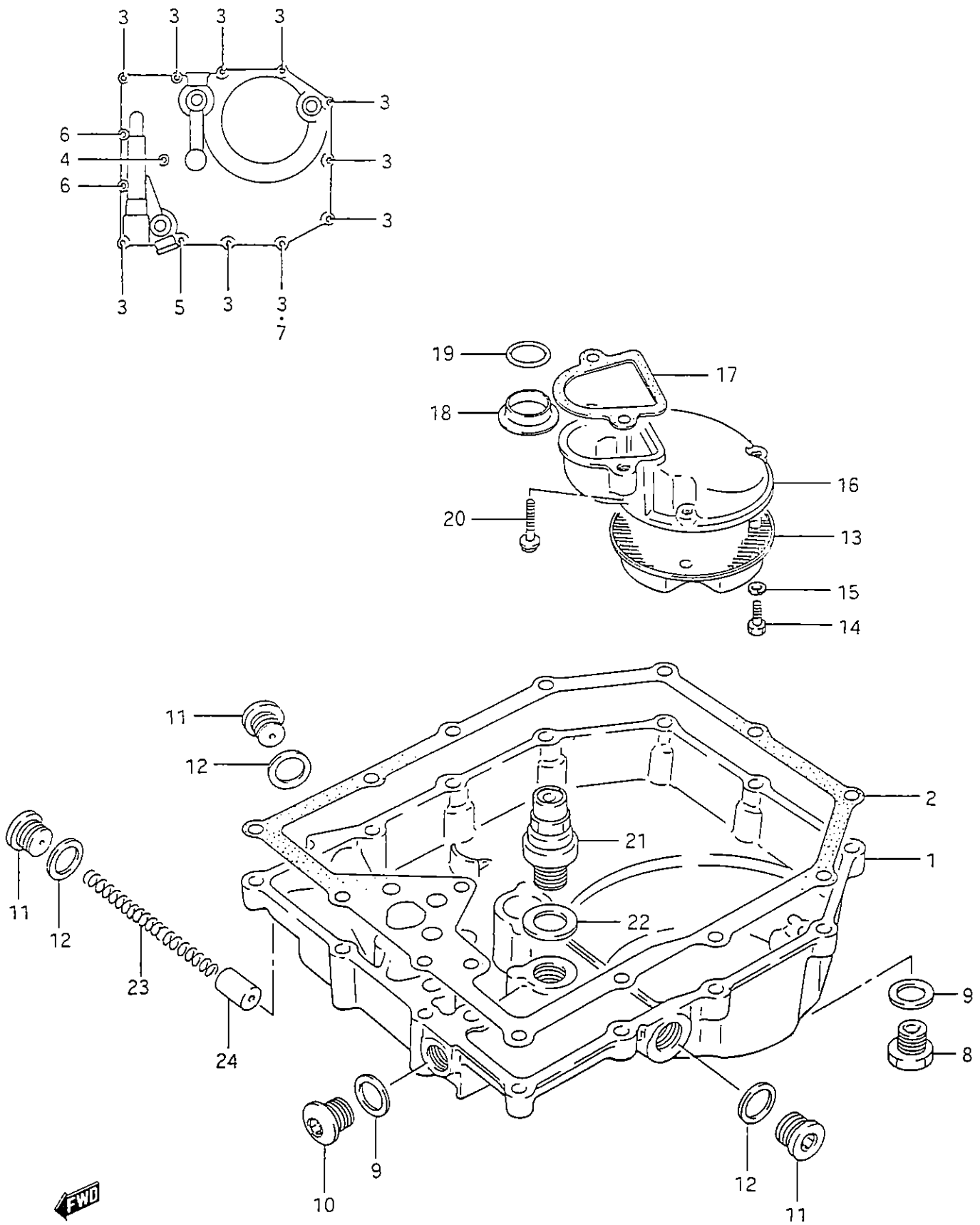
1-1	11300-06870	CRANKCASE SET	1	~E.NO.101259
1-2	11300-06872	CRANKCASE SET	1	E.NO.101260~
1-3	11300-06876	CRANKCASE SET	1	MODEL J
2	09206-13004	.PIN	2	
3	09206-11005	.PIN	2	
4	09103-06067	.BOLT (6X105)	1	
5	09103-08097	.BOLT (8X105)	1	
6	09103-08182	.BOLT (8X125)	2	
7	09103-08098	.BOLT (8X115)	3	
8	01517-06354	.BOLT	1	
9	07110-06405	.BOLT	1	
10	07110-06505	.BOLT	1	
11	07110-06655	.BOLT	1	
12	07110-08555	.BOLT	2	
13	01517-08605	.BOLT	1	
14	01517-06354	.BOLT	3	
15	01517-06404	.BOLT	1	
16	01517-06408	.BOLT	1	
17	01517-06505	.BOLT	1	
18	01517-06605	.BOLT	1	
19	01517-06558	.BOLT	2	
20	01517-06705	.BOLT	2	
21	01517-06805	.BOLT	1	
22	09103-08105	.BOLT (8X95)	4	
23	01421-06408	.STUD BOLT	1	
24	01421-06608	.STUD BOLT	1	
25	09159-06017	.NUT	2	
26	09280-21008	.O RING, OIL RETURN	2	
27	09280-04004	.O RING	6	
28	09493-14002	.JET, OIL GALLERY HEAD	2	
29	09493-24010	.JET, OIL GALLERY GEAR SHIFT	2	
30	09493-80007	.JET, OIL GALLERY PISTON	4	~E.NO.101259
31	09493-80008	.JET, OIL GALLERY PISTON	4	E.NO.101260~
32	09168-12002	.GASKET, HOLE PLUG	1	
33	09247-12103	.PLUG, HOLE	1	
34	09168-08021	.GASKET	2	
35	09248-16003	.PLUG, OIL GALLERY	1	
36	09280-17002	.O RING	1	
37	09248-14004	.PLUG, OIL GALLERY	1	
38	09168-14004	.GASKET	1	
39	16591-06B00	.UNION, OIL FILTER STAND	1	
40	09103-10136	BOLT (10X180)	1	
41	09103-10137	BOLT (10X255)	1	
42	01107-10558	BOLT	2	
43	01517-10558	BOLT	2	
44	09159-10020	NUT	2	
45	09159-10058	NUT	4	
46	08321-21107	LOCK WASHER	2	
47	08322-11107	WASHER	2	
48	11613-06B00	SPACER (L:59)	1	
49	11681-06B00	BUSH	2	
50	11611-06B01	SPACER (L:27)	1	
51	11612-06B00	SPACER (L:46)	1	
52	11612-36A00	WASHER (10.5X26X3.2)	1	
53	37820-34200	SWITCH, OIL PRESSURE	1	

FIG.5



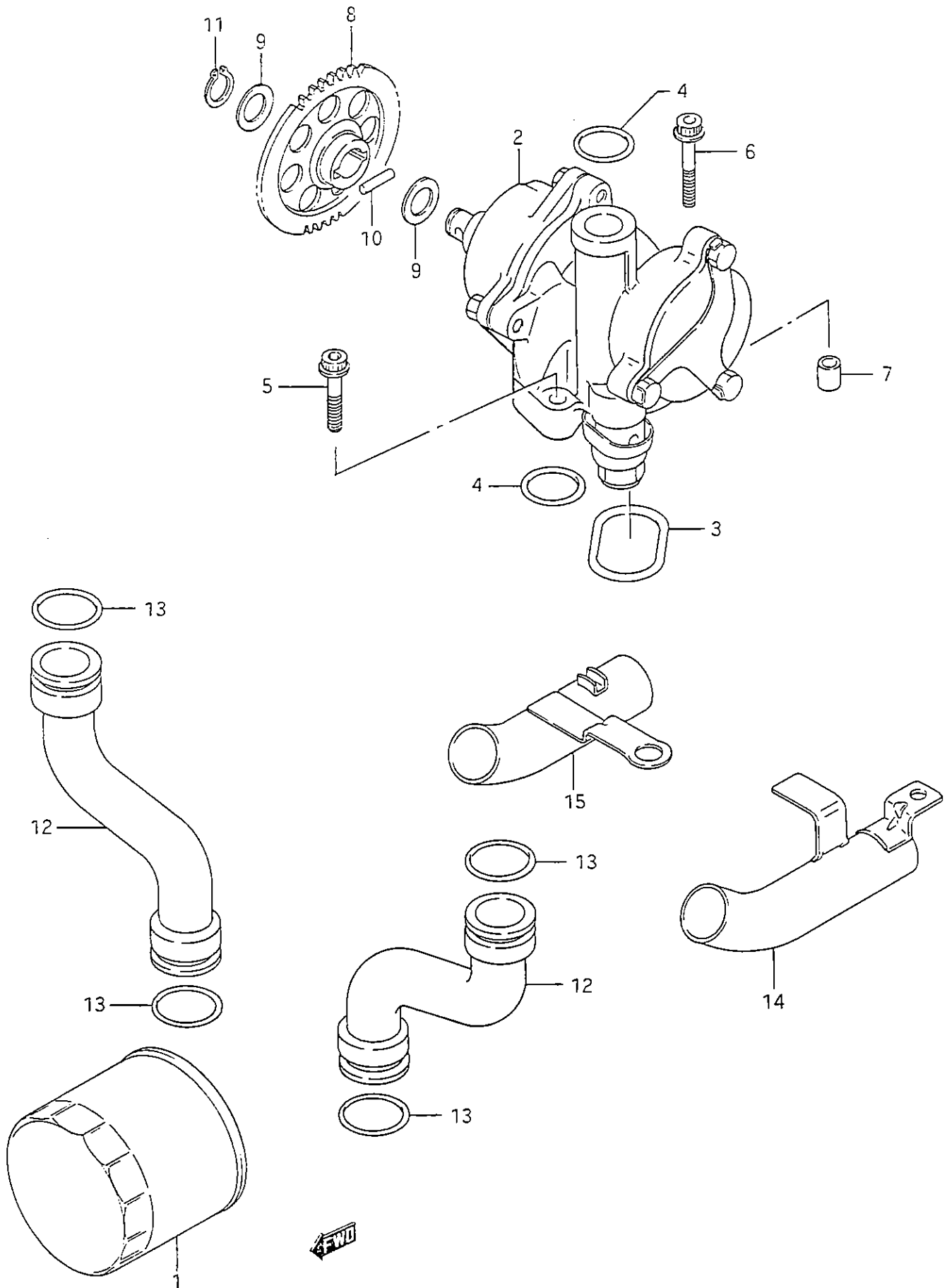
1	11340-06B00	COVER, CLUTCH	1	
2	11971-33210	.LENS, OIL LEVEL	1	
3	11482-27A01	GASKET, CLUTCH COVER	1	
4	04211-09189	PIN	2	
5	09168-06024	GASKET	2	
6	07110-06255	BOLT	6	
7	07110-06305	BOLT	2	
8	07110-06355	BOLT	1	
9	09259-20012	PLUG, ENGINE OIL FILLER	1	
10	09280-17003	O RING	1	
11	11381-27A00	COVER, SIGNAL GENERATOR	1	
12	11491-27A00	GASKET, SIGNAL GENERATOR COVE	1	
13	09106-06059	BOLT (6X23)	5	
14	09168-06024	GASKET	1	
15	11351-27A01	COVER, STARTER GEAR	1	
16	11483-27A00	GASKET, STARTER GEAR COVER	1	
17	09206-11005	PIN	1	
18	07110-06255	BOLT	8	
19	07110-06405	BOLT	1	
20	09168-06024	GASKET	1	
21-1	11361-06B10	COVER, ENGINE SPROCKET	1	MODEL G
21-2	11361-06B12	COVER, ENGINE SPROCKET	1	MODEL H/J
22	04211-09129	PIN	2	
23	07110-06405	BOLT	1	
24	07110-06305	BOLT	1	
25	07110-06505	BOLT	1	
26	07110-06655	BOLT	1	
27	07110-06705	BOLT	2	

FIG. 6



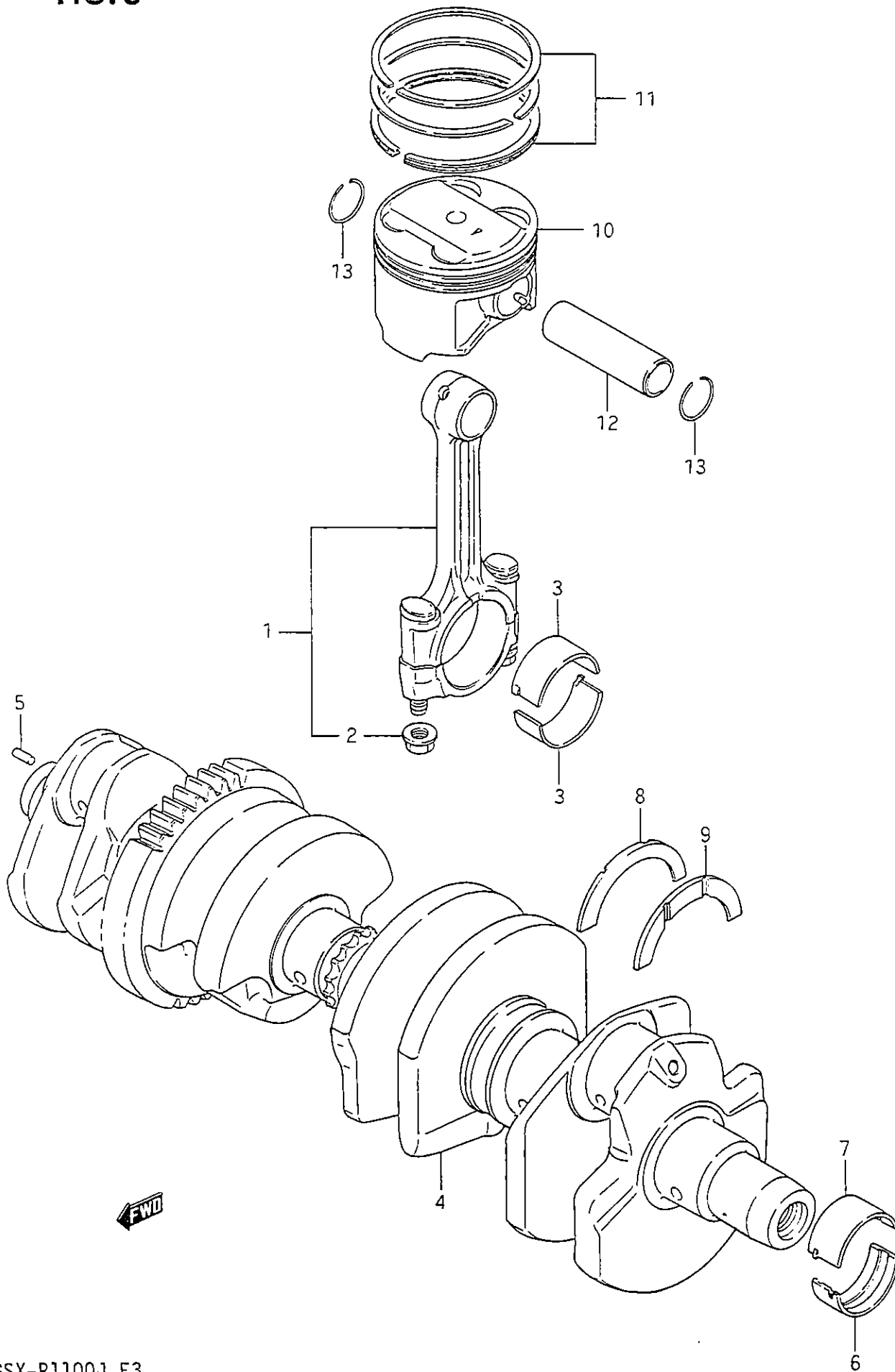
1	11511-27A01	PAN, OIL	1
2	11489-27A00	GASKET, OIL PAN	1
3	07110-06255	BOLT	10
4	07110-06355	BOLT	1
5	07110-06405	BOLT	1
6	07110-06455	BOLT	2
7	09168-06024	GASKET	1
8	09247-14001	PLUG, OIL DRAIN	1
9	09168-14004	GASKET	2
10	09248-14004	PLUG, OIL GALLERY	1
11	09248-16010	PLUG, OIL GALLERY	3
12	09168-16002	GASKET	3
13	16520-06B00	STRAINER, ENGINE OIL	1
14	01107-06127	BOLT	3
15	08321-21067	LOCK WASHER	3
16	16525-06B00	PROTECTOR, STRAINER	1
17	16528-27A02	GASKET, PROTECTOR	1
18	16529-27A01	GASKET, OIL OUTLET	1
19	09280-18009	O RING	1
20	01517-06258	BOLT	2
21	16440-27A00	REGULATOR, ENGINE OIL	1
22	09168-16002	WASHER	1
23	09440-09027	SPRING	1
24	16442-34301	PLUNGER, OIL CONTROL	1

FIG. 7



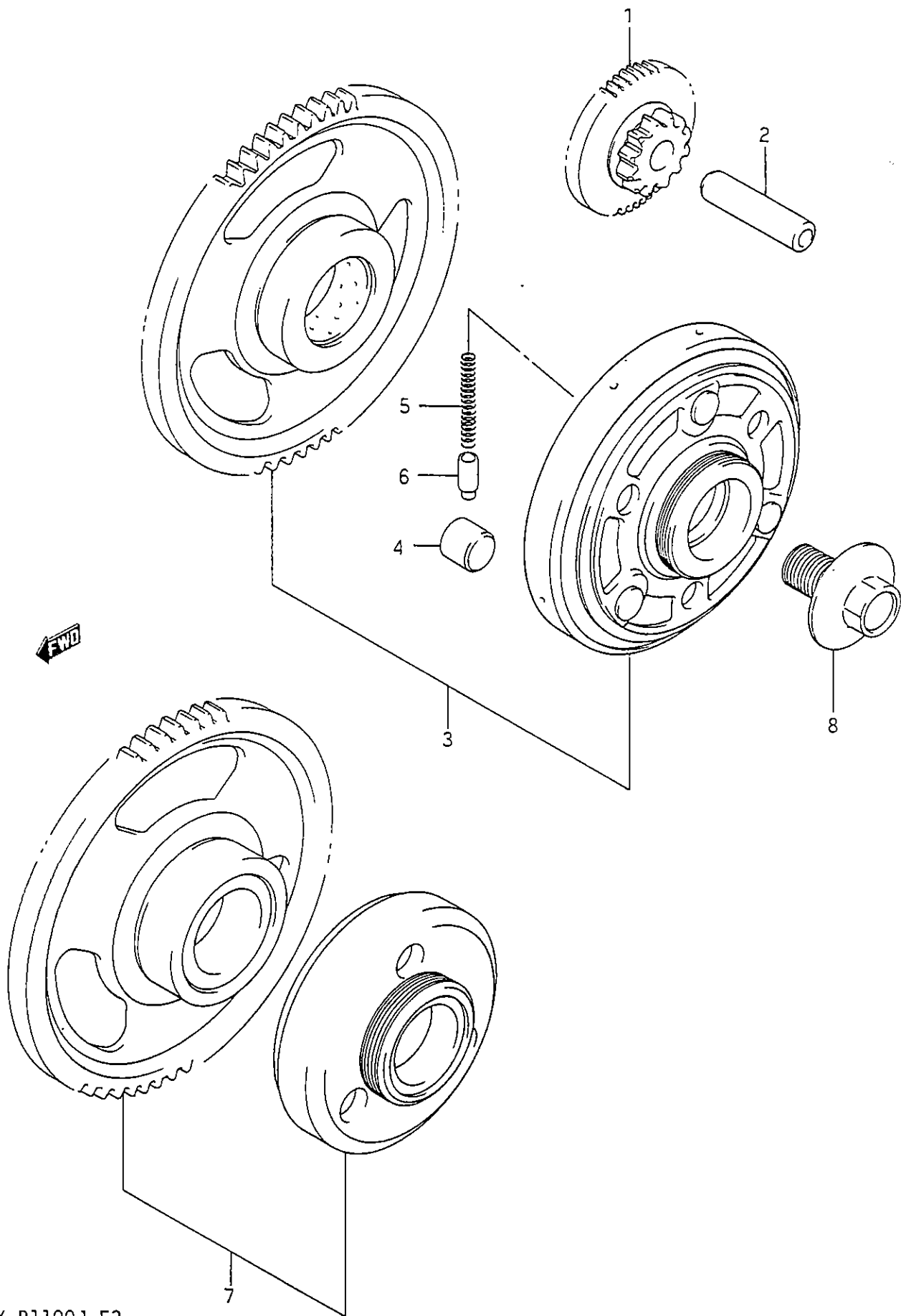
1	16510-06B00	FILTER, ENGINE OIL	1	
2	16400-06B01	PUMP ASSY, ENGINE OIL	1	
3	16491-27A01	O RING	1	
4	09280-18009	O RING	2	
5	07120-06308	BOLT	2	
6	07120-06358	BOLT	1	
7	04211-09129	PIN	2	
8	16331-06B01-0B0	GEAR, OIL PUMP DRIVEN	1	
9	08221-12205	WASHER	2	
10	09261-05006	PIN	1	
11	08331-31128	CIRCLIP	1	
12	16480-06B02	PIPE, OUTLET	2	
13	09280-22016	O RING	4	
14-1	16530-27A00	PIPE, OIL UNDER, LH	1	MODEL G/H
14-2	16530-27A02	PIPE, OIL UNDER, LH	1	MODEL J
15	16540-27A00	PIPE, OIL UNDER, RH	1	

FIG. 8



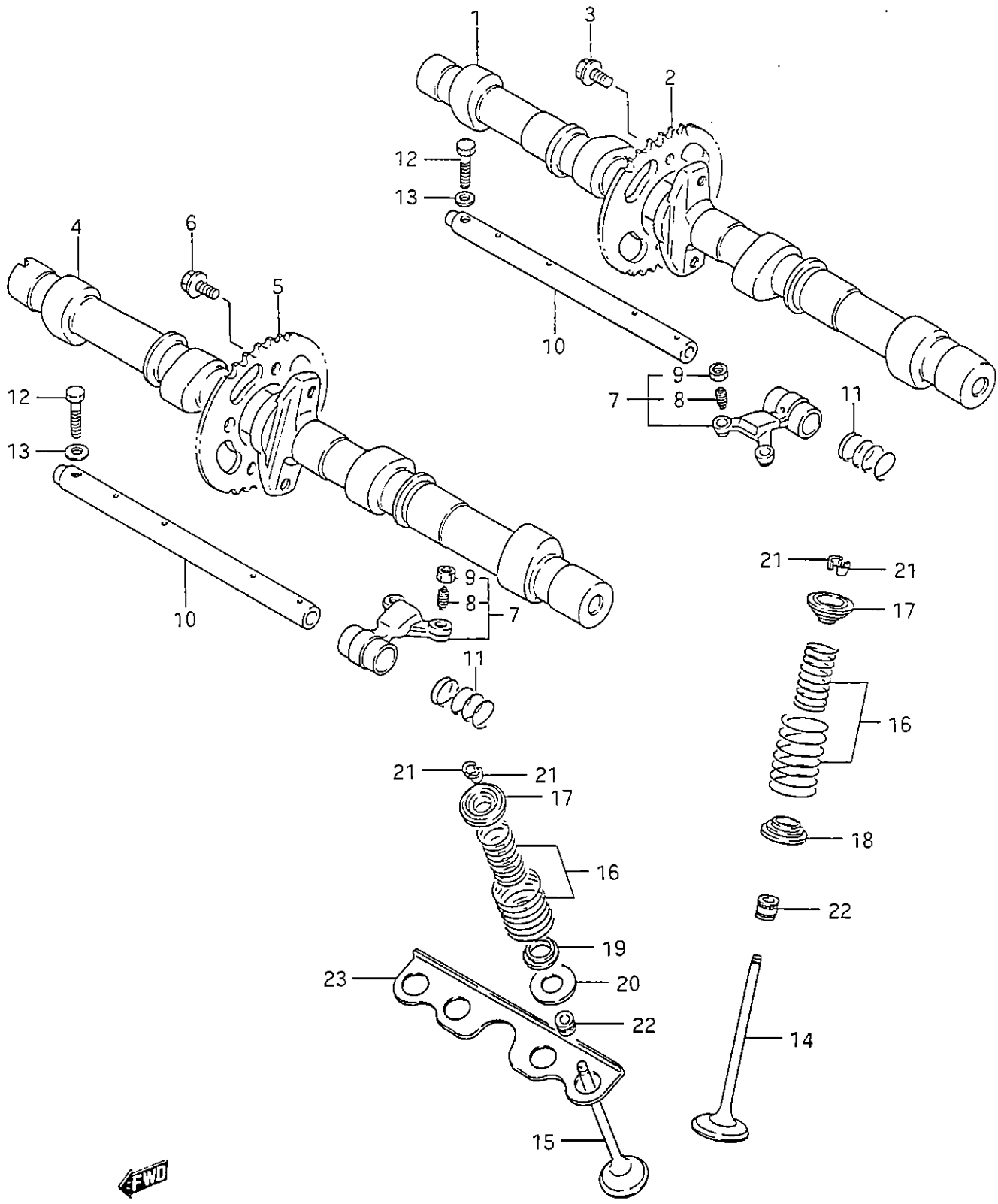
1	12160-06B03	ROD ASSY, CONNECTING	4	
2	09159-09001	.NUT	8	
3-1	12164-06B00-0A0	BEARING, CRANK PIN (GREEN)	8	
3-2	12164-06B00-0B0	BEARING, CRANK PIN (BLACK)	8	
3-3	12164-06B00-0C0	BEARING, CRANK PIN (BROWN)	8	
3-4	12164-06B00-0D0	BEARING, CRANK PIN (YELLOW)	8	
4	12220-06B03	CRANKSHAFT	1	
5	04221-04089	.PIN	1	
6-1	12229-06B00-0A0	BEARING, CRANKSHAFT (GREEN)	6	LOWER
6-2	12229-06B00-0B0	BEARING, CRANKSHAFT (BLACK)	6	LOWER
6-3	12229-06B00-0C0	BEARING, CRANKSHAFT (BROWN)	6	LOWER
6-4	12229-06B00-0D0	BEARING, CRANKSHAFT (YELLOW)	6	LOWER
7-1	12229-06B10-0A0	BEARING, CRANKSHAFT (GREEN)	6	UPPER
7-2	12229-06B10-0B0	BEARING, CRANKSHAFT (BLACK)	6	UPPER
7-3	12229-06B10-0C0	BEARING, CRANKSHAFT (BROWN)	6	UPPER
7-4	12229-06B10-0D0	BEARING, CRANKSHAFT (YELLOW)	6	UPPER
8	12228-06B00-0B0	BEARING, CRANKSHAFT (GREEN)	1	RH
9-1	12228-06B00-0A0	BEARING, CRANKSHAFT (RED)	1	LH
9-2	12228-06B00-0B0	BEARING, CRANKSHAFT (GREEN)	1	LH
9-3	12228-06B00-0C0	BEARING, CRANKSHAFT (BLACK)	1	LH
10-1	12111-06B05	PISTON	4	
10-2	12111-06B05-050	PISTON (OS:0.5)	4	OPT
10-3	12111-06B05-100	PISTON (OS:1.0)	4	OPT
11-1	12140-06B10	RING SET, PISTON	4	
11-2	12140-06B10-050	RING SET, PISTON (OS:0.5)	4	OPT
11-3	12140-06B10-100	RING SET, PISTON (OS:1.0)	4	OPT
12	12151-05A00	PIN, PISTON	4	
13	09381-20004	CIRCLIP	8	

FIG. 9



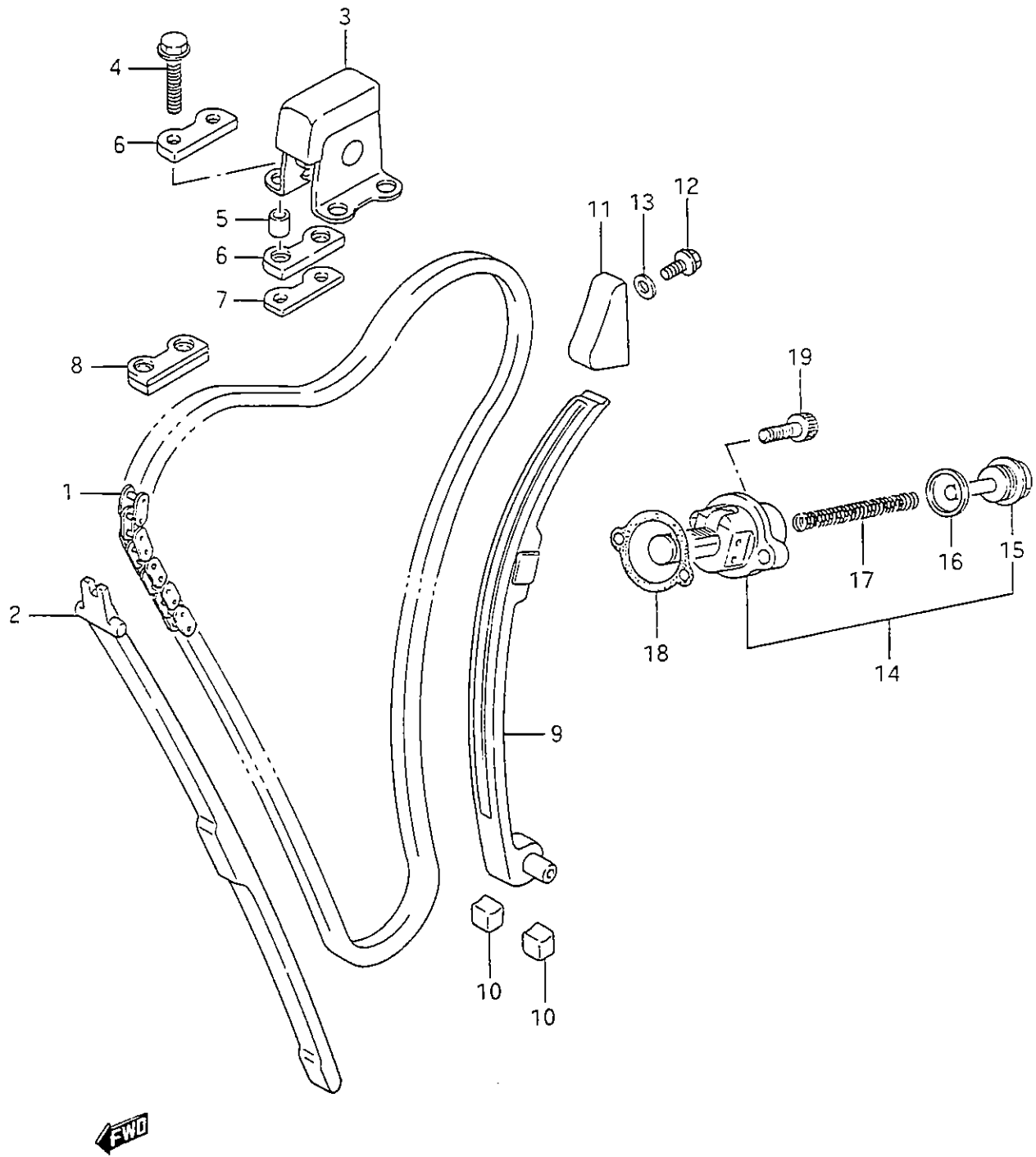
1	12611-06B00	GEAR, STARTER IDLE (NT:12/53)	1
2	09206-11014	PIN	1
3	12600-06840	CLUTCH SET, STARTER	1
4	09261-15001	.ROLLER	3
5	09440-04015	.SPRING	3
6	12633-31000	.PIECE, PUSH	3
7	12600-06850	CLUTCH SET, STARTER	1
8	09103-14005	BOLT	1

FIG. 10



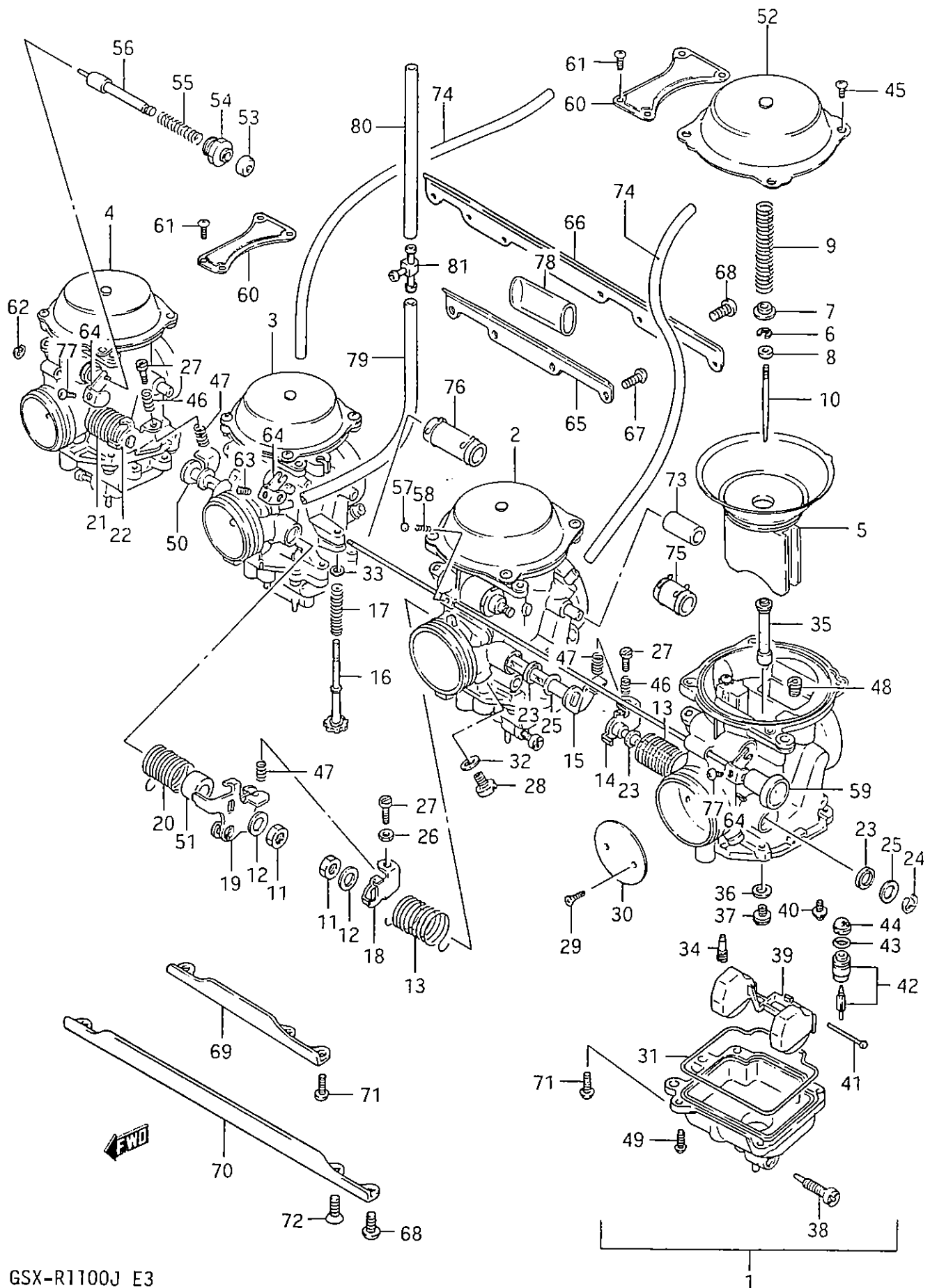
1	12711-06B02	CAM SHAFT, INTAKE	1
2	12741-06B00	SPROCKET, CAM SHAFT	1
3	09103-07001	BOLT	2
4	12721-06B02	CAM SHAFT, EXHAUST	1
5	12741-06B00	SPROCKET, CAM SHAFT	1
6	09103-07001	BOLT	2
7	12840-27A00	ARM, VALVE ROCKER	8
8	12842-49210	.SCREW	16
9	12843-04A00	.NUT	16
10	12861-27A00	SHAFT, VALVE ROCKER ARM	4
11	09440-13014	SPRING	8
12	01107-06306	BOLT	4
13	08322-21066	WASHER	4
14	12911-06B02	VALVE, INTAKE	8
15	12912-06B00	VALVE, EXHAUST	8
16	12920-06B00	SPRING SET, VALVE	16
17	12931-27A01	RETAINER, SPRING	16
18	12933-27A00	SEAT, INTAKE	8
19	12934-27A00	SEAT, EXHAUST INNER	8
20	12935-27A00	SEAT, EXHAUST OUTER	8
21	12932-27A00	COTTER, VALVE	32
22	09289-05011	OIL SEAL	16
23	11137-27A00	PLATE, VALVE SEAT	2

FIG. 11



1	12760-06B00	CHAIN, CAM SHAFT DRIVE	1	
2	12771-06B01	GUIDE, CAM CHAIN NO.1	1	
3	12780-06B00	IDLER, CAM CHAIN	1	
4	01517-06307	BOLT	4	
5	09180-06167	SPACER, CUSHION	4	
6-1	12788-27A00	CUSHION	4	~E.NO.108794
6-2	12788-27A00	CUSHION	2	E.NO.108795~
7	12789-06B00	PLATE, IDLER	2	~E.NO.108794
8	12788-06B10	CUSHION, IDLER, LOWER	2	E.NO.108795~
9	12810-06B02	TENSIONER, CAM CHAIN	1	
10	12814-34200	CUSHION	2	
11	12791-06B01	GUIDE, CAM CHAIN NO.2	1	
12	01517-06105	BOLT	1	
13	09168-06023	GASKET	1	
14	12830-06B00	ADJUSTER ASSY, TENSIONER	1	
15	12834-27A00	.PLUG	1	
16	12832-27A00	.GASKET	1	
17	12833-06B00	.SPRING	1	
18	12837-27A00	GASKET, ADJUSTER	1	
19	07110-06255	BOLT	2	

FIG. 12

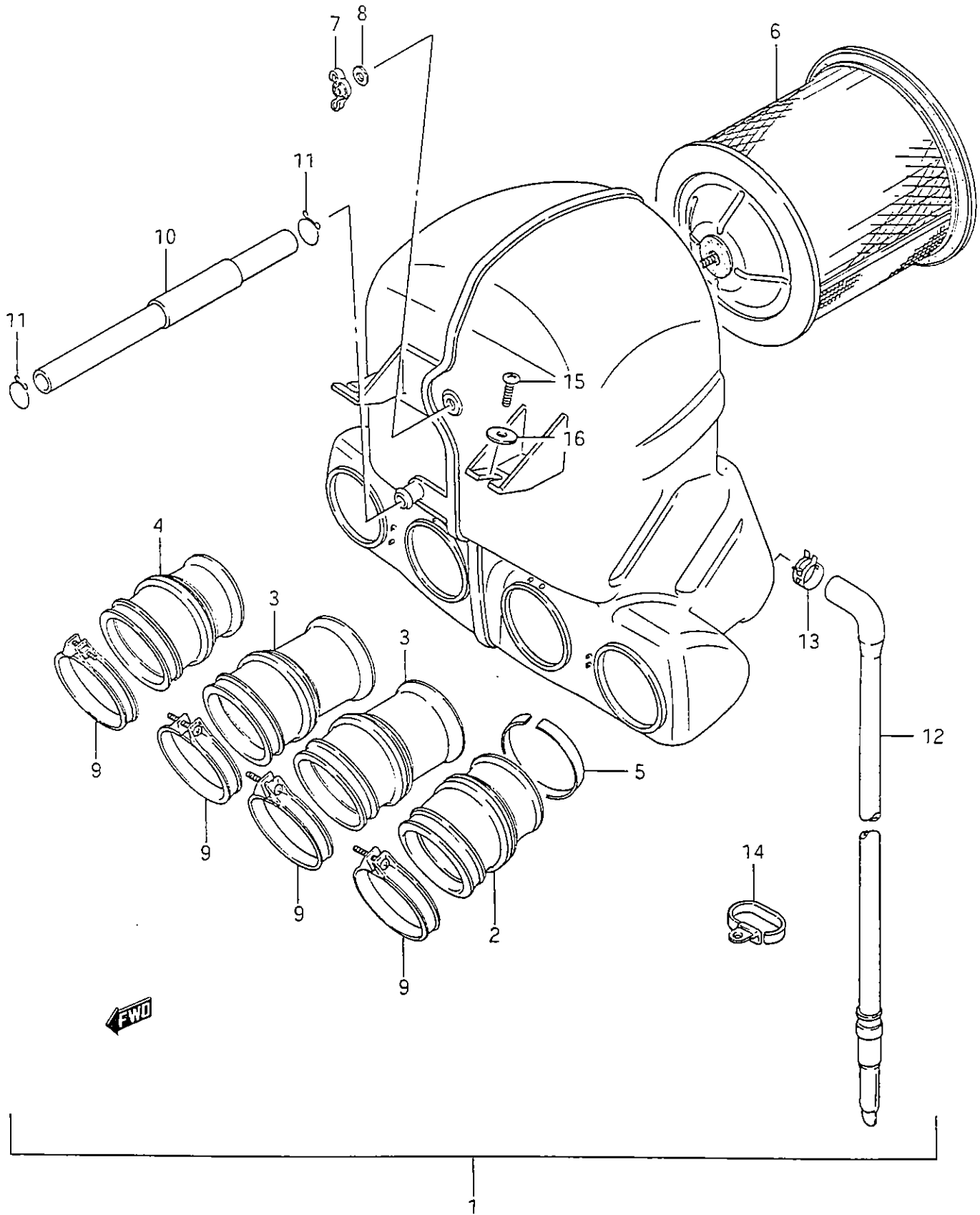


1-1	13201-06B10	CARBURETOR ASSY, LH	1	MODEL G/H
1-1	13201-06B10			OTHER THAN CALIFORNIA
1-2	13201-06B70	CARBURETOR ASSY, LH	1	MODEL J
1-2	13201-06B70			OTHER THAN CALIFORNIA
1-3	13201-06B20	(CA) CARBURETOR ASSY, LH	1	MODEL G/H CALIFORNIA ONLY
1-4	13201-06B50	(CA) CARBURETOR ASSY, LH	1	MODEL J CALIFORNIA ONLY
2-1	13202-06B10	CARBURETOR ASSY, ML	1	MODEL G/H
2-1	13202-06B10			OTHER THAN CALIFORNIA
2-2	13202-06B70	CARBURETOR ASSY, ML	1	MODEL J
2-2	13202-06B70			OTHER THAN CALIFORNIA
2-3	13202-06B20	(CA) CARBURETOR ASSY, ML	1	MODEL G/H CALIFORNIA ONLY
2-4	13202-06B50	(CA) CARBURETOR ASSY, ML	1	MODEL J CALIFORNIA ONLY
3-1	13203-06B10	CARBURETOR ASSY, MR	1	MODEL G/H
3-1	13203-06B10			OTHER THAN CALIFORNIA
3-2	13203-06B70	CARBURETOR ASSY, MR	1	MODEL J
3-2	13203-06B70			OTHER THAN CALIFORNIA
3-3	13203-06B20	(CA) CARBURETOR ASSY, MR	1	MODEL G/H CALIFORNIA ONLY
3-4	13203-06B50	(CA) CARBURETOR ASSY, MR	1	MODEL J CALIFORNIA ONLY
4-1	13204-06B10	CARBURETOR ASSY, RH	1	MODEL G/H
4-1	13204-06B10			OTHER THAN CALIFORNIA
4-2	13204-06B70	CARBURETOR ASSY, RH	1	MODEL J
4-2	13204-06B70			OTHER THAN CALIFORNIA
4-3	13204-06B20	(CA) CARBURETOR ASSY, RH	1	MODEL G/H CALIFORNIA ONLY
4-4	13204-06B50	(CA) CARBURETOR ASSY, RH	1	MODEL J CALIFORNIA ONLY
5	13500-06B00	.DIAPHRAGM	4	
6	13415-47070	.E RING	4	
7	13382-42A00	.RING	4	
8	13387-47010	.RING	4	
9	13417-42A00	.SPRING	4	
10	13383-06B10	.NEEDLE, JET (5D29-1)	4	
11	08310-21086	.NUT	2	ML, MR
12	13606-47070	.WASHER	2	ML, MR
13	13573-28A10	.SPRING	2	LH, ML
14	13550-28A30	.SHAFT ASSY	1	LH
15	13550-28A00	.SHAFT ASSY	1	ML
16	13567-28A10	.ADJUSTER	1	MR
17	13271-28A10	.SPRING	1	MR
18	13553-28A00	.LEVER	1	ML
19	13555-28A00	.LEVER	1	MR
20	13573-28A00	.SPRING	1	MR
21	13573-28A20	.SPRING	1	RH
22	13550-28A20	.SHAFT ASSY	1	RH
23	13651-51010	.SEAL	8	
24	13617-44080	.E RING	2	LH, RH
25	13557-47070	.WASHER	4	
26	13582-95216	.NUT	1	ML
27	13267-52012	.SCREW	3	LH, ML, RH
28	13605-73000	.SCREW	4	OTHER THAN CALIFORNIA
29	13604-42A00	.SCREW	8	
30	13551-06B10	.VALVE, THROTTLE (125)	4	
31	13251-42A00	.O RING	4	
32	13249-78100	.WASHER	4	OTHER THAN CALIFORNIA
33	13432-47090	.WASHER	1	MR
34	09492-32006	.JET, PILOT (32.5)	4	
35	09494-00535	.JET, NEEDLE (P-2)	4	
36	13332-44080	.WASHER	4	
37	09491-26011	.JET, MAIN (130)	4	
38	13247-28A00	.SCREW, DRAIN	4	
39	13250-28A00	.FLOAT	4	
40	13602-43410	.SCREW	4	
41	13254-92311	.PIN	4	

42	13370-44500	.VALVE ASSY, NEEDLE	4	
43	66263-99050	.O RING	4	
44	13376-65010	.FILTER	4	
45-1	02112-04085	.SCREW	10	MODEL G/H LH/MR: 2, ML/RH: 3
45-2	02112-04085	.SCREW	16	MODEL J
46	13271-28A00	.SPRING	2	LH, RH
47	13268-96110	.SPRING	3	LH, ML, RH
48-1	09493-27001	.JET, PILOT AIR (135)	4	
48-2	09493-23001	.(CA) JET, PILOT AIR (115)	4	MODEL J CALIFORNIA ONLY
49	13602-27A10	.SCREW	16	
50	13550-28A10	.SHAFT ASSY	1	MR
51	13574-28A00	.RING	1	MR
52	13502-28A00	.COVER, DIAPHRAGM	4	
53	13682-31210	.CAP, STARTER	4	
54	13418-44080	.HOLDER	4	
55	13417-43010	.SPRING	4	
56	13411-05320	.PLUNGER ASSY	4	
57	13596-93010	BALL	2	
58	13434-06B00	SPRING	2	
59	13410-28A00	SHAFT ASSY, STARTER	1	
60	13628-28A00	PLATE	2	MODEL G/H
61	02112-04085	SCREW	8	MODEL G/H
62	13298-49000	E RING	1	MODEL G/H
63	13605-49330	SCREW	1	
64	13422-28A00	LEVER	4	
65	13628-28A10	PLATE	1	MODEL G/H
66	13628-19C10	PLATE	1	MODEL J
67	02112-05128	SCREW	4	MODEL G/H
68	02112-05128	SCREW	14	MODEL J
69	13628-28A20	PLATE	1	MODEL G/H
70	13628-19C00	PLATE	1	MODEL J
71	02112-05168	SCREW	8	MODEL G/H
72	02122-05148	SCREW	2	MODEL J
73	13683-49160	HOSE (6.5X10.5X400)	2	L: 400->18
74-1	13684-28A00	HOSE (5X8X425)	2	ML: 425->400
74-1	13684-28A00			MR: 425
74-2	13680-06B50	(CA) HOSE	2	MODEL J CALIFORNIA ONLY
75	13680-27A00	HOSE ASSY	2	
76	13680-28A00	HOSE ASSY	1	
77	13605-34390	SCREW	3	
78	13684-28A10	HOSE	1	
79-1	13683-06A20	HOSE (5X9X250)	1	
79-2	13683-06A20	(CA) HOSE (5X9X250->150)	1	MODEL J CALIFORNIA ONLY
80	13683-06A20	(CA) HOSE (5X9X250->100)	1	MODEL J CALIFORNIA ONLY
81	13685-48B00	(CA) NIPPLE	1	MODEL J CALIFORNIA ONLY

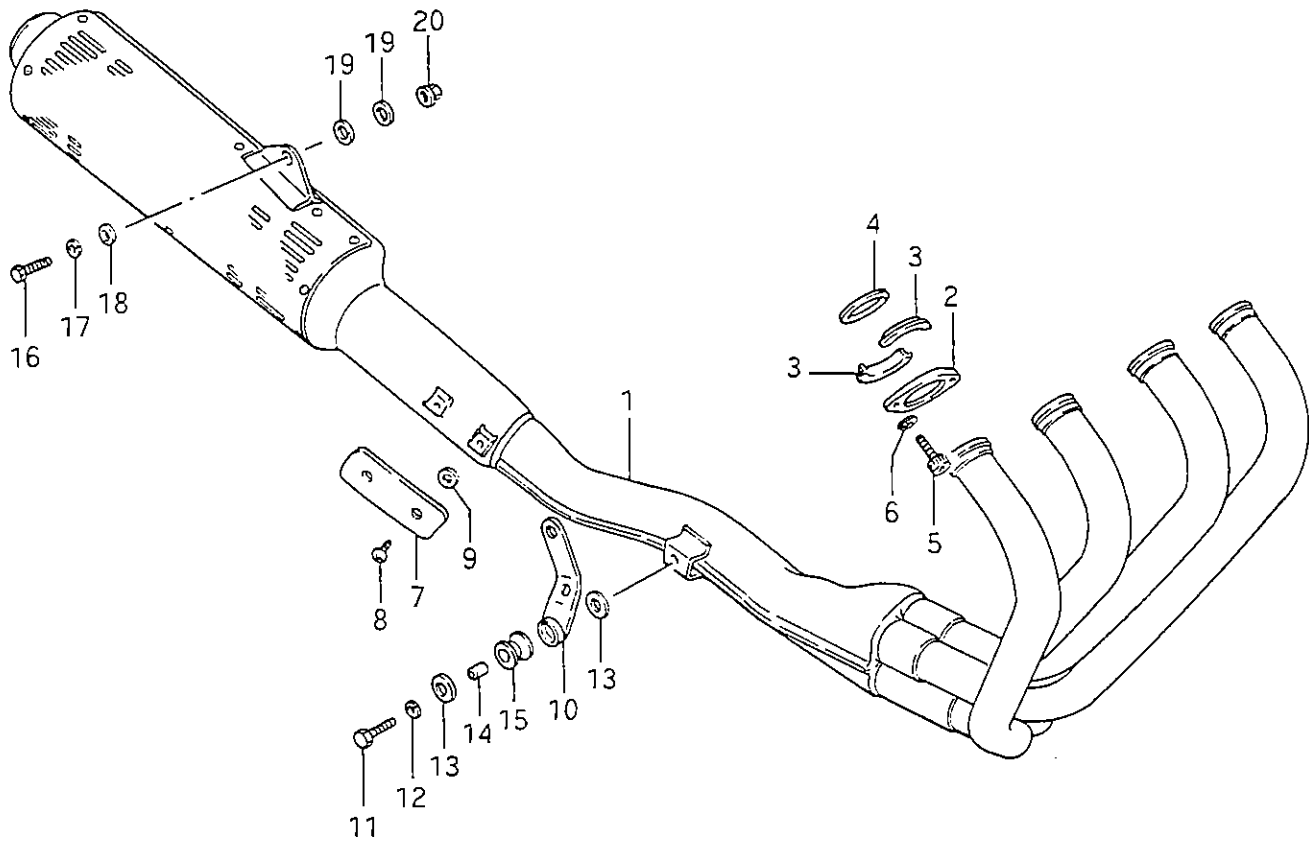
Blank Page

FIG. 13



1	13700-06B00	CLEANER ASSY, AIR	1
2	13881-06B00	.TUBE, OUTLET LH	1
3	13882-06B00	.TUBE, OUTLET ML, MR	2
4	13883-06B00	.TUBE, OUTLET RH	1
5	13885-45450	.RING, OUTLET	4
6	13780-06B00	.FILTER	1
7	08317-12058	.NUT, WING	1
8	08322-11058	.WASHER	1
9	09402-56208	.CLAMP	4
10	13850-06B00	.TUBE, BREATHER	1
11	09401-14301	.CLIP	2
12	13870-21447	.TUBE, DRAIN	1
13	13825-43400	.CLAMP	1
14	13879-27A01	CLAMP, DRAIN TUBE	1
15	02112-06208	SCREW	3
16	09160-06007	WASHER (6.5X18X1.6)	3

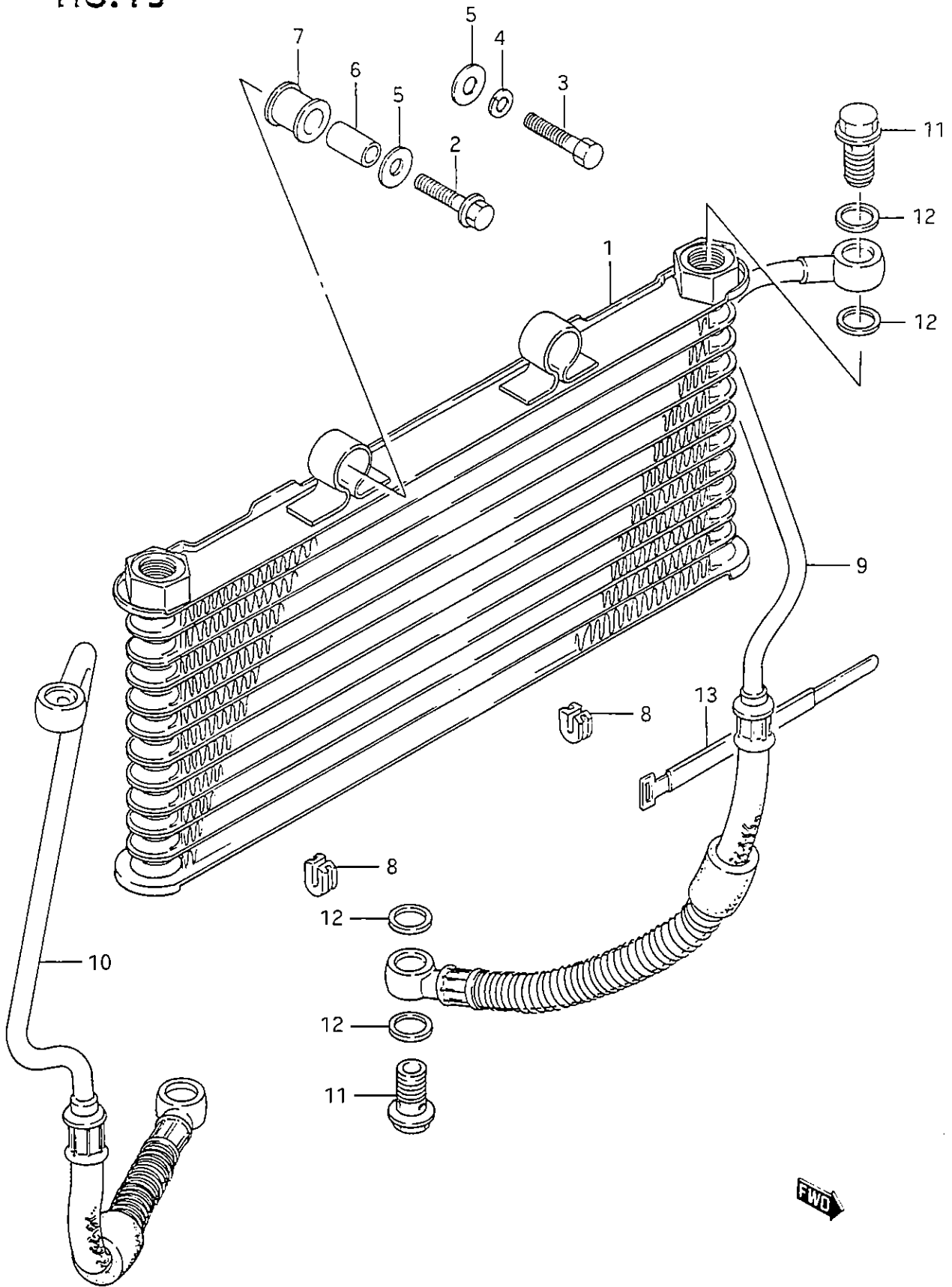
FIG. 14



FWD

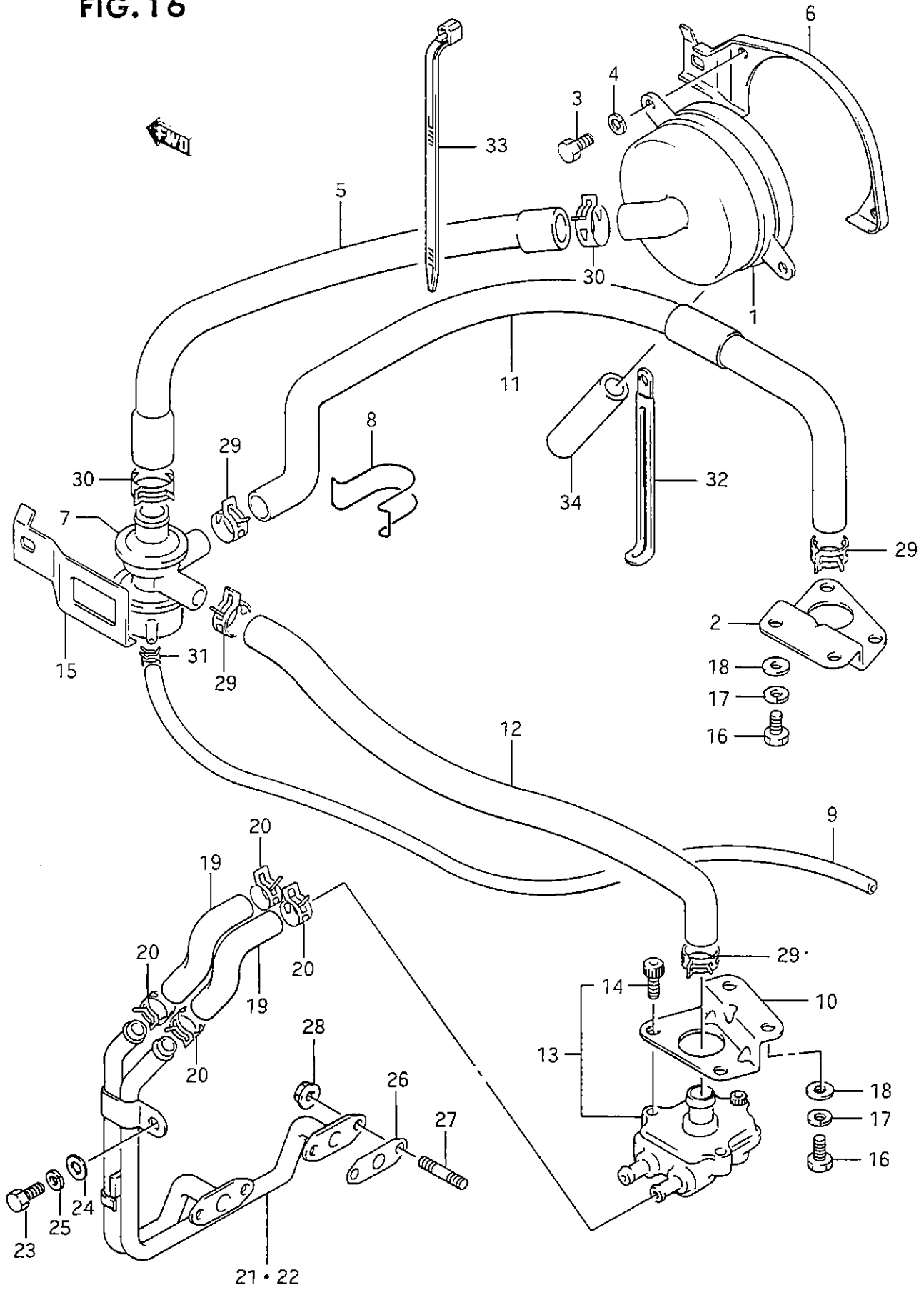
1	14305-06B10-H01	MUFFLER ASSY	1
2	14182-27A00	CLAMP, EXHAUST PIPE	4
3	14155-27A00	PLATE, EXHAUST PIPE	8
4	14181-05020	GASKET, EXHAUST PIPE	4
5	07110-08255	BOLT	8
6	09164-08015	WASHER	8
7	14782-06B00	COVER, MUFFLER FRONT	1
8	02142-06104	SCREW	2
9	09168-06022	GASKET	2
10	14770-06B01	DAMPER, MUFFLER SUPPORT	1
11	09100-08224	BOLT (8X35)	1
12	09162-08003	LOCK WASHER	1
13	09160-08057	WASHER (8.5X29X1.6)	2
14	09180-08102	SPACER (8.6X12X17.5)	1
15	09320-12026	CUSHION	1
16	01107-10404	BOLT	1
17	08321-21104	LOCK WASHER	1
18	08322-11104	WASHER	1
19	09160-10001	WASHER (10.5X24X2.3)	2
20	08316-16108	NUT	1

FIG. 15



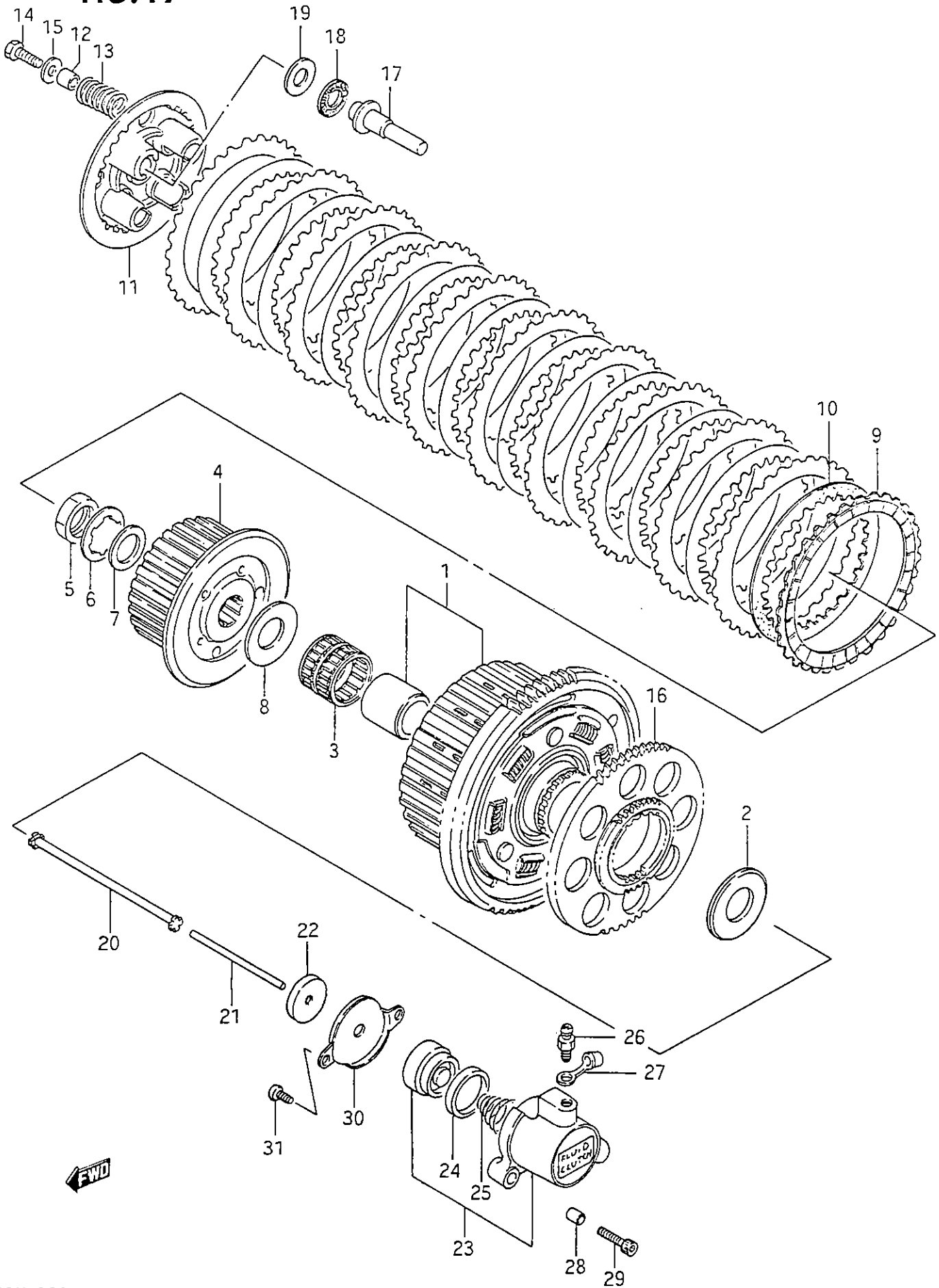
1-1	16600-27A01	COOLER ASSY, OIL	1	MODEL G/H
1-2	16600-06B10	COOLER ASSY, OIL	1	MODEL J
2	01517-08405	BOLT	2	MODEL G/H
3	01107-08405	BOLT	2	MODEL J
4	08321-21084	LOCK WASHER	2	MODEL J
5	09160-08047	WASHER	2	
6	09180-08124	SPACER (8.8X12X24.5)	2	
7	16629-27A01	CUSHION, NO.1	2	
8	16628-27A00	CUSHION, NO.2	2	
9	16460-06B00	HOSE, OIL COOLER LH	1	
10	16470-06B00	HOSE, OIL COOLER RH	1	
11	09360-16002	BOLT, UNION	4	
12	09168-16003	GASKET (16X22X2)	8	
13	09407-18301	CLAMP, OIL HOSE	2	

FIG. 16



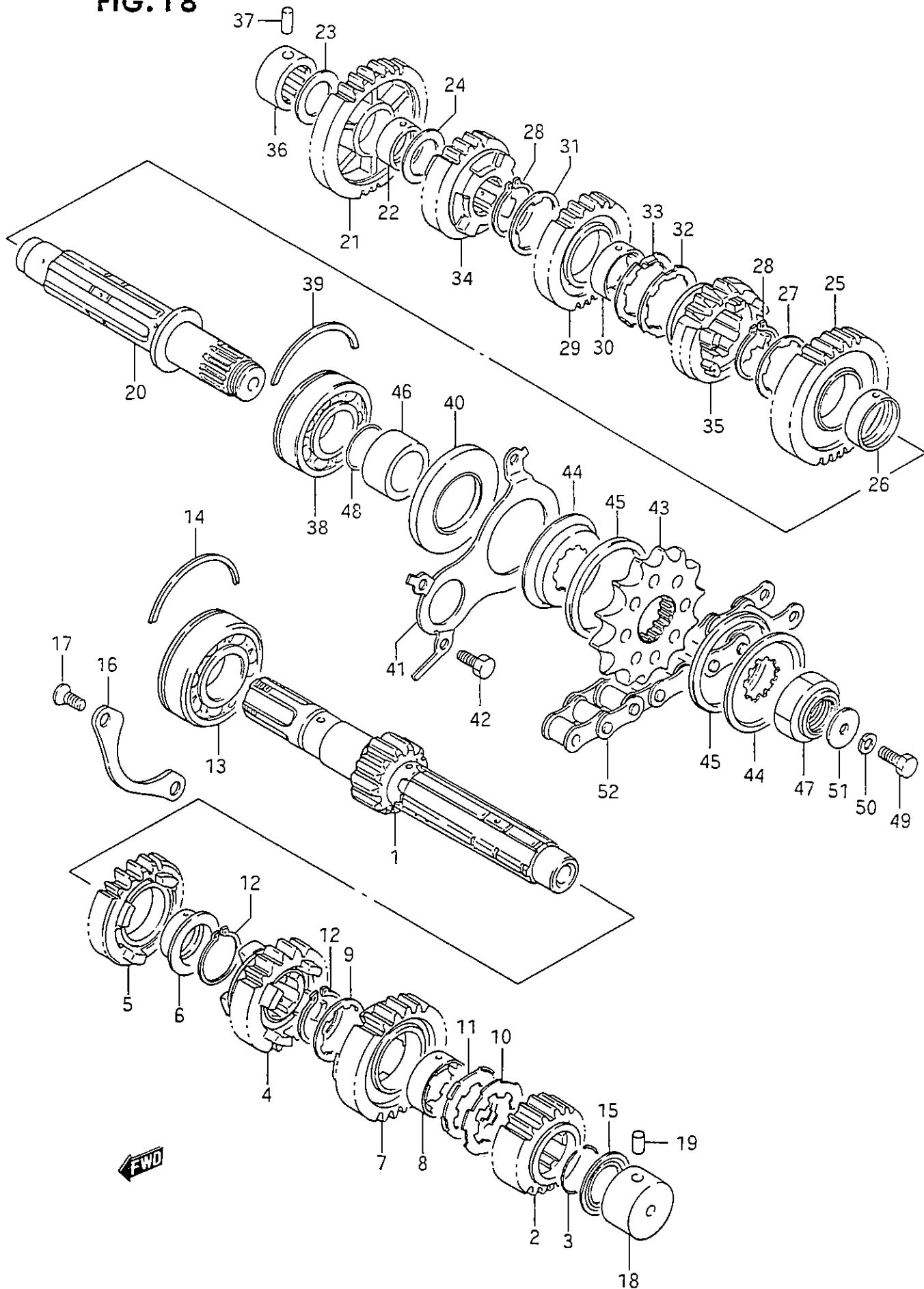
1	18700-06B00	CLEANER ASSY, 2ND AIR	1
2	18471-06B00	BRACKET, REED VALVE,RH	1
3	01107-06125	BOLT	2
4	08322-21064	WASHER	2
5	18551-06B00	HOSE, 2ND AIR,NO.3	1
6	18750-06B00	BRACKET, 2ND AIR CLEANER	1
7	18510-06B00	VALVE ASSY, AIR SWITCING	1
8	18522-17C00	CLAMP, SWITCHING VALVE	1
9	09359-45852-550	HOSE, VACUUM	1
10	18472-06B00	BRACKET, REED VALVE,LH	1
11	18480-06B00	HOSE, 2ND AIR,NO.2,RH	1
12	18482-06B00	HOSE, 2ND AIR,NO.2,LH	1
13	18450-48B00	VALVE ASSY, 2ND AIR REED	2
14	07110-05167	.BOLT	4
15	18521-06B00	BRACKET, SWITCHING	1
16	01107-06167	BOLT	4
17	08321-21067	LOCK WASHER	4
18	08322-21067	WASHER	4
19	18445-06B00	HOSE, 2ND AIR,NO.1	4
20	09401-13408	CLIP	8
21	18401-06B00	PIPE, 2ND AIR,RH	1
22	18402-06B00	PIPE, 2ND AIR,LH	1
23	01107-06126	BOLT	2
24	09160-06019	WASHER	2
25	08321-21066	LOCK WASHER	2
26	18441-17C00	GASKET, AIR PIPE	4
27	01421-06125	STUD BOLT	8
28	08316-16064	NUT	8
29	09401-21401	CLIP, NO.2 HOSE	4
30	09401-25402	CLIP, NO.3 HOSE	2
31	09401-07401	CLIP, VACUUM HOSE	1
32	09404-06419	CLAMP (L:135)	1
33	09407-18402	CLAMP	1
34	18731-06B00	HOSE, INLET	1

FIG. 17



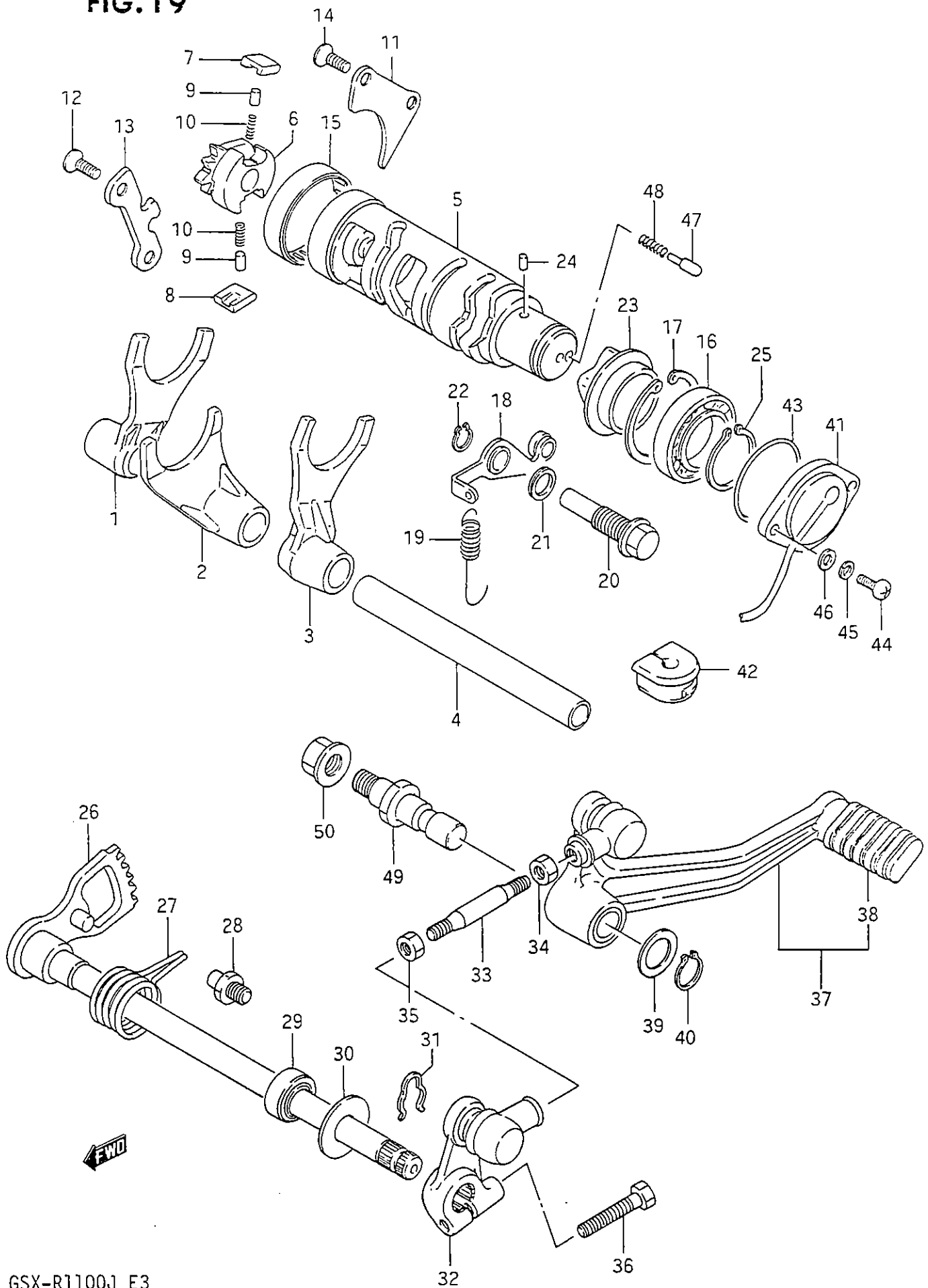
1	21200-06844	GEAR, PRIMARY DRIVEN (NT:73)	1	
2	09160-25062	WASHER	1	
3	09263-35017	BEARING	1	
4-1	21410-06B02	HUB, SLEEVE	1	MODEL G/H
4-2	21410-06B03	HUB, SLEEVE	1	MODEL J
5	09140-24007	NUT	1	
6	09167-25007	WASHER, LOCK	1	
7	09164-24006	WASHER	1	
8	09160-25056	WASHER (25X50X2.5)	1	
9-1	21441-06B00	PLATE, DRIVE (T:2.6)	11	MODEL G
9-2	21441-06B01	PLATE, DRIVE (T:2.6)	11	MODEL H/J
10	21451-06B00	PLATE, DRIVEN (T:2)	10	
11	21462-06B00	DISK, PRESSURE	1	
12	09180-06174	SPACER (6.2X12X14)	4	
13	09440-20013	SPRING	4	
14	01107-06307	BOLT	4	
15	09160-06020	WASHER (6.5X20X1.6)	4	
16-1	22721-06B01	GEAR, ALTERNATOR DRIVE	1	NT:37/66,MODEL G
16-2	22721-06B02	GEAR, ALTERNATOR DRIVE	1	NT:37/66,MODEL H/J
17	23121-06B00	PIECE, PUSH	1	
18	09263-15003	BEARING	1	
19	09160-15015	WASHER (15X28X1)	1	
20	23110-27A00	ROD, PUSH RH	1	
21	23111-15501	ROD, PUSH LH	1	
22	09285-06015	OIL SEAL	1	
23	23160-06B00	CYLINDER, CLUTCH RELEASE	1	
24	23163-06B00	.CUP	1	
25	23164-05A00	.SPRING	1	
26	59121-01A00	.BLEEDER	1	
27	59122-01A00	.CAP, BLEEDER	1	
28	04211-09129	PIN	2	
29	07110-06255	BOLT	2	
30	23117-27A02	COVER, CYLINDER	1	
31	02112-06106	SCREW	2	

FIG. 18



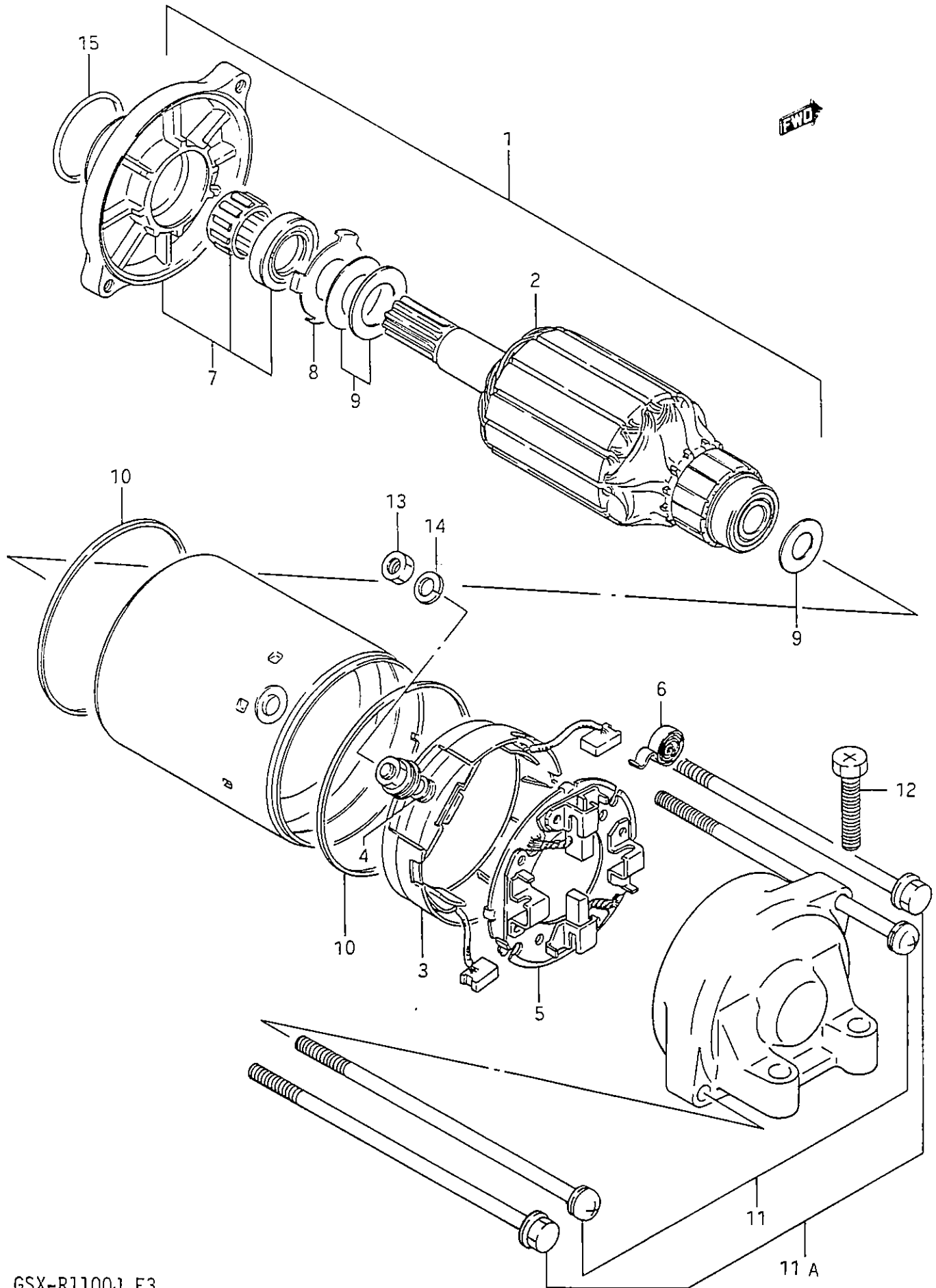
1-1	24121-06B01	COUNTERSHAFT (NT:13)	1	MODEL G/H
1-2	24121-06B02	COUNTERSHAFT (NT:13)	1	MODEL J
2	24221-06B01	GEAR, 2ND DRIVE (NT:19)	1	
3	09380-25006	CIRCLIP	1	
4-1	24231-06B00	GEAR, 3RD DRIVE (NT:20)	1	MODEL G
4-2	24231-06B01	GEAR, 3RD DRIVE (NT:20)	1	MODEL H ~E.NO.109133
4-3	24231-06B02	GEAR, 3RD DRIVE (NT:20)	1	MODEL H/J E.NO.109134~
5	24241-06B00	GEAR, 4RD DRIVE (NT:22)	1	
6	09301-25001	BUSH	1	
7	24251-06B01	GEAR, 5TH DRIVE (NT:23)	1	
8	24252-38A00	BUSH	1	
9	09167-25021	WASHER	1	
10	09167-25013	WASHER, LOCK	1	
11	09169-25001	WASHER, LOCK	1	
12	09380-25003	CIRCLIP	2	
13	09262-25051	BEARING, RH	1	
14	09390-62006	C RING	1	
15	09285-20006	OIL SEAL	1	
16	24741-27A00	HOLDER, BEARING	1	
17	02122-06167	SCREW	2	
18	09263-20049	BEARING, LH	1	
19	04221-07129	PIN	1	
20-1	24131-06B03	DRIVESHAFT	1	MODEL G/H
20-2	24131-06B05	DRIVESHAFT	1	MODEL J
21	24311-06B00	GEAR, 1ST DRIVEN (NT:31)	1	
22	09300-22005	BUSH	1	
23	08211-20341	WASHER, RH	1	
24	08211-22341	WASHER, LH	1	
25	24321-06B01	GEAR, 2ND DRIVEN (NT:31)	1	
26	09300-28002	BUSH	1	
27	08211-28361	WASHER	1	
28	08331-11289	CIRCLIP	2	
29-1	24331-06B01	GEAR, 3RD DRIVEN (NT:25)	1	~E.NO.105619
29-2	24331-06B02	GEAR, 3RD DRIVEN (NT:25)	1	E.NO.105620~109140
29-3	24331-06B03	GEAR, 3RD DRIVEN (NT:25)	1	E.NO.109141~
30	24332-07A00	BUSH	1	
31	09167-28001	WASHER, RH	1	
32	09167-28002	WASHER, LH (T:1.5)	1	
33	09169-28001	WASHER, LH (T:1.0)	1	
34	24341-06B01	GEAR, 4TH DRIVEN (NT:23)	1	
35	24351-06B01	GEAR, 5TH DRIVEN (NT:21)	1	
36	09263-20040	BEARING, RH	1	
37	04221-07209	PIN (L:20)	1	
38	09262-25095	BEARING, LH	1	
39	09390-62006	C RING	1	
40	09283-34005	OIL SEAL (34X62X6)	1	
41	24751-27A00	PLATE	1	
42	01107-06108	SCREW	4	
43-1	27511-06B10	SPROCKET, ENGINE (NT:14)	1	MODEL G/H
43-2	27511-06B12	SPROCKET, ENGINE (NT:14)	1	MODEL J
44	27516-31301	HOLDER, DAMPER	2	
45	27517-06B00	DAMPER, ENGINE SPROCKET	2	
46	09180-25081	SPACER (25X34X18.1)	1	
47	09159-20004	NUT	1	
48	09280-25001	O RING (D:1, ID:24.5)	1	
49	01107-06167	BOLT	1	
50	08321-31067	LOCK WASHER	1	
51	08212-06222	WASHER	1	
52	27600-06B11-114	CHAIN, DRIVE (532 GSVX114LE)R	1	

FIG. 19



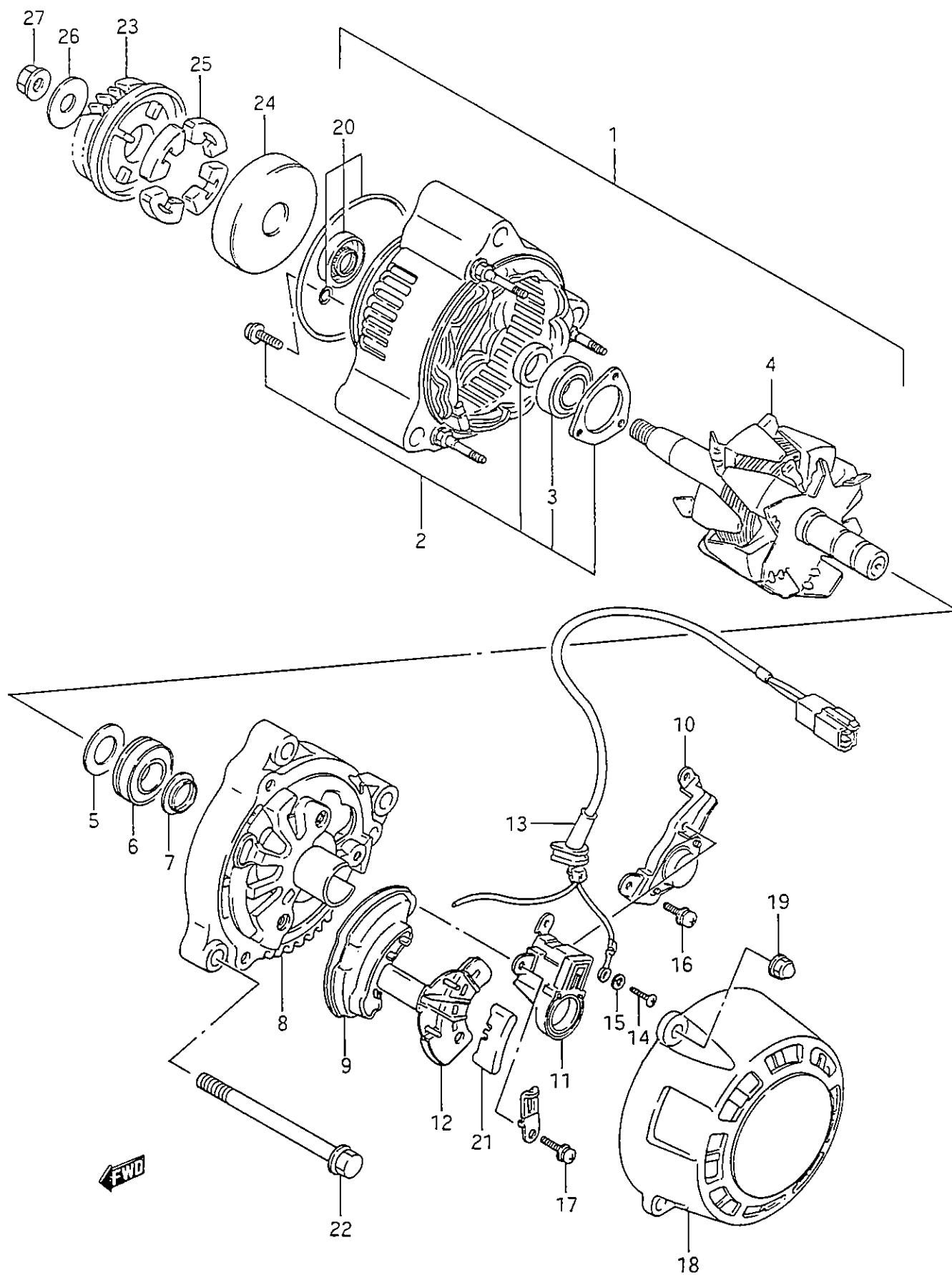
1	25211-06B01	FORK, GEAR SHIFTING NO.1	1	
2	25221-06B00	FORK, GEAR SHIFTING NO.2	1	
3	25231-06B00	FORK, GEAR SHIFTING NO.3	1	
4	25411-27A00	SHAFT, GEAR SHIFTING FORK	1	
5-1	25310-06B01	CAM, GEAR SHIFTING	1	~E.NO.108978
5-2	25310-06B02	CAM, GEAR SHIFTING	1	E.NO.108979~
6	25322-31301	GEAR, CAM DRIVEN	1	
7	25323-34201	PAWL, NO.1	1	
8	25324-34201	PAWL, NO.2	1	
9	09261-05003	PIN	2	
10	09440-04003	SPRING	2	
11	25331-31301	LIFTER, PAWL	1	
12	02122-06128	SCREW	2	
13	25341-27A00	GUIDE, CAM	1	
14	02122-06128	SCREW	2	
15	09263-43001	BEARING, RH	1	
16	08110-69050	BEARING, LH	1	
17	08331-41428	CIRCLIP	1	
18	25350-27A00	STOPPER, CAM	1	
19	09443-09031	SPRING	1	
20	25353-27A00	SHAFT, STOPPER	1	
21	09168-10002	WASHER	1	
22	08331-31086	CIRCLIP	1	
23	25381-38400	PLATE, STOPPER	1	
24	06211-04063	PIN	1	
25	08331-31258	CIRCLIP	1	
26	25510-27A00	SHAFT, GEAR SHIFTING	1	
27	09444-26017	SPRING	1	
28	25671-01000	STOPPER, ARM	1	
29	09285-12002	OIL SEAL (12X22X9)	1	
30	09160-12020	WASHER (12.5X27X1.6)	1	
31	09384-12001	CIRCLIP	1	
32	25520-33301	ARM, GEAR SHIFT LINK	1	
33	25525-44100	ROD, GEAR SHIFT LINK	1	
34	09140-06011	NUT	1	
35	08310-11067	NUT	1	
36	01107-06257	BOLT	1	
37	25600-06B00	LEVER ASSY, GEAR SHIFTING	1	
38	43151-04701	.COVER	1	
39	09160-12011	WASHER (12.5X20X1)	1	
40	08331-31128	CIRCLIP	1	
41-1	37720-09300	BODY, GEAR SHIFTING SWITCH	1	MODEL G
41-2	37720-48B00	BODY, GEAR SHIFTING SWITCH	1	MODEL H/J
42	33885-27A00	GROMMET, LEAD WIRE	1	
43	09280-36001	O RING (D:2.4, ID:36.2)	1	
44	09125-05102	SCREW	2	
45	08321-21057	LOCK WASHER	2	
46	08322-21057	WASHER	2	
47	09209-05011	CONTACT	1	
48	09440-04010	SPRING	1	
49	25617-20A00	SHAFT, LEVER	1	
50	08316-16108	NUT	1	

FIG. 20



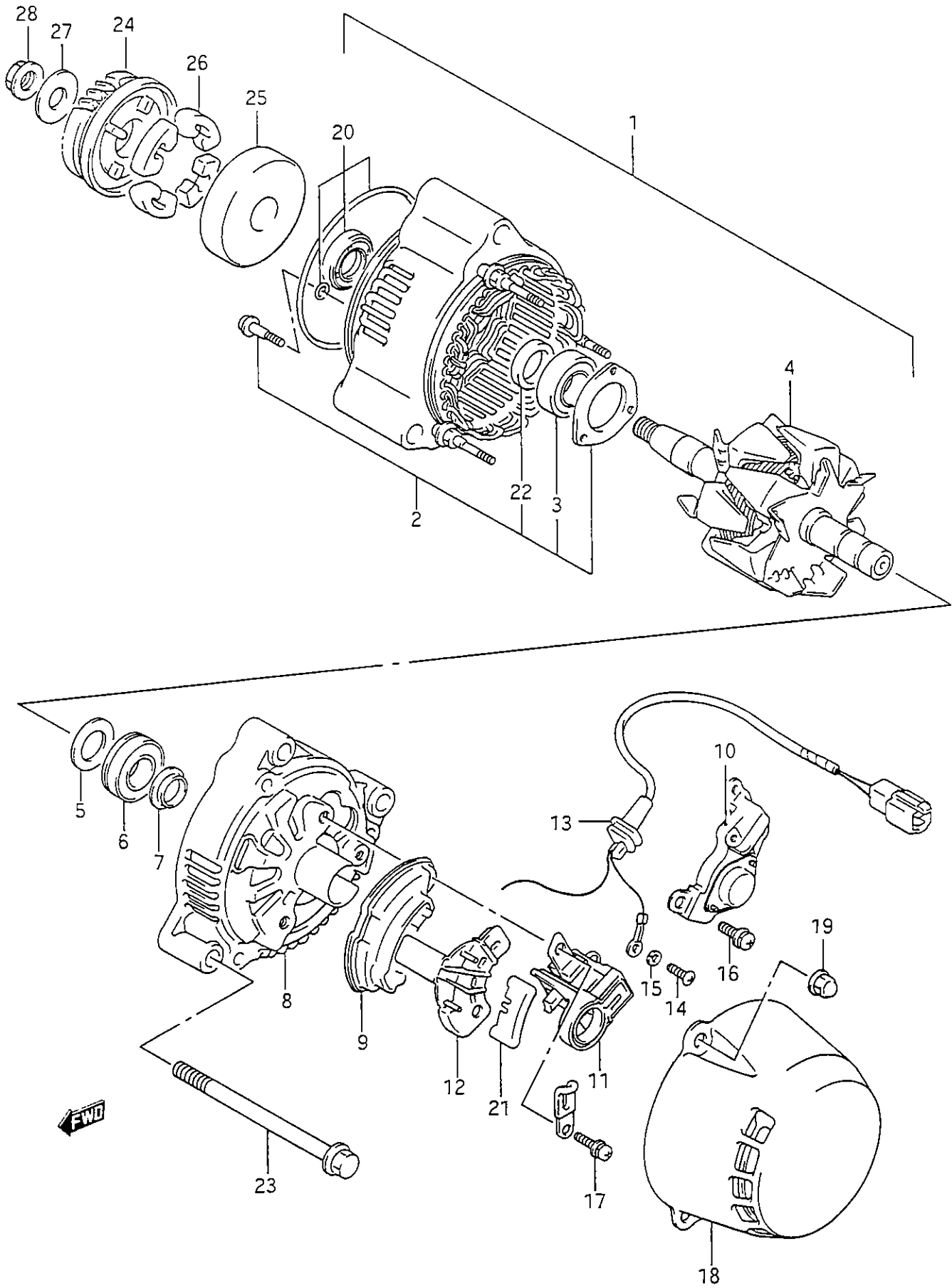
1-1	31100-06B00	MOTOR ASSY, STARTING	1	MODEL G
1-2	31100-06B01	MOTOR ASSY, STARTING	1	MODEL H
1-3	31100-06B02	MOTOR ASSY, STARTING	1	MODEL J
2	31311-06B00	.ARMATURE	1	
3	31130-06B00	.TERMINAL SET, BRUSH (+)	1	
4	31143-49040	.O RING	1	
5	31132-06B00	.HOLDER SET, BRUSH (-)	1	
6	31135-49040	.SPRING, BRUSH	4	
7	31150-05A00	.BRACKET SET	1	
8	31360-19B00	.THRUST SUPPORT	1	
9	31360-06B00	.SHIM SET	1	
10	31264-49040	.O RING	2	
11	31280-05A00	.BOLT	1	MODEL G/H
11A	31280-06B00	.BOLT	1	MODEL J
12	09128-06024	BOLT	2	
13	08310-11066	NUT	1	
14	08321-21066	LOCK WASHER	1	
15	09280-24003	O RING	1	

FIG. 21



1	31400-06B00	ALTERNATOR ASSY	1
2	31580-06B00	.FRAME, DRIVE END	1
3	31612-06B00	.BEARING	1
4	31710-06B00	.ROTOR ASSY	1
5	31613-27A00	.COVER (1)	1
6	31612-27A00	.BEARING	1
7	31613-27A10	.COVER (2)	1
8	31611-06B00	.FRAME, END	1
9	31621-27A00	.HOLDER, RECTIFIER	1
10	32500-27A00	.REGULATOR	1
11	31656-06B00	.HOLDER, BRUSH	1
12	31687-27A00	.COVER, RECTIFIER	1
13	31480-27A00	.LEAD WIRE	1
14	02112-04086	.SCREW	2
15	08321-21046	.LOCK WASHER	2
16	31688-27A00	.SCREW	2
17	31688-06B00	.SCREW (5X18)	1
18	31614-27A00	.COVER	1
19	31692-27A00	.NUT	3
20	31780-06B00	.OIL SEAL SET	1
21	31514-27A00	.BUSH	1
22	01517-08905	BOLT	3
23	22730-06B02	GEAR, GENERATOR DRIVEN	1
24	22733-27A03	HOUSING, DAMPER	1
25	21231-06B00	DAMPER	4
26	08211-10283	WASHER	1
27	08316-26106	NUT	1
27	08316-26106	REFER TO FIG.22 (E-4) FOR MOD	

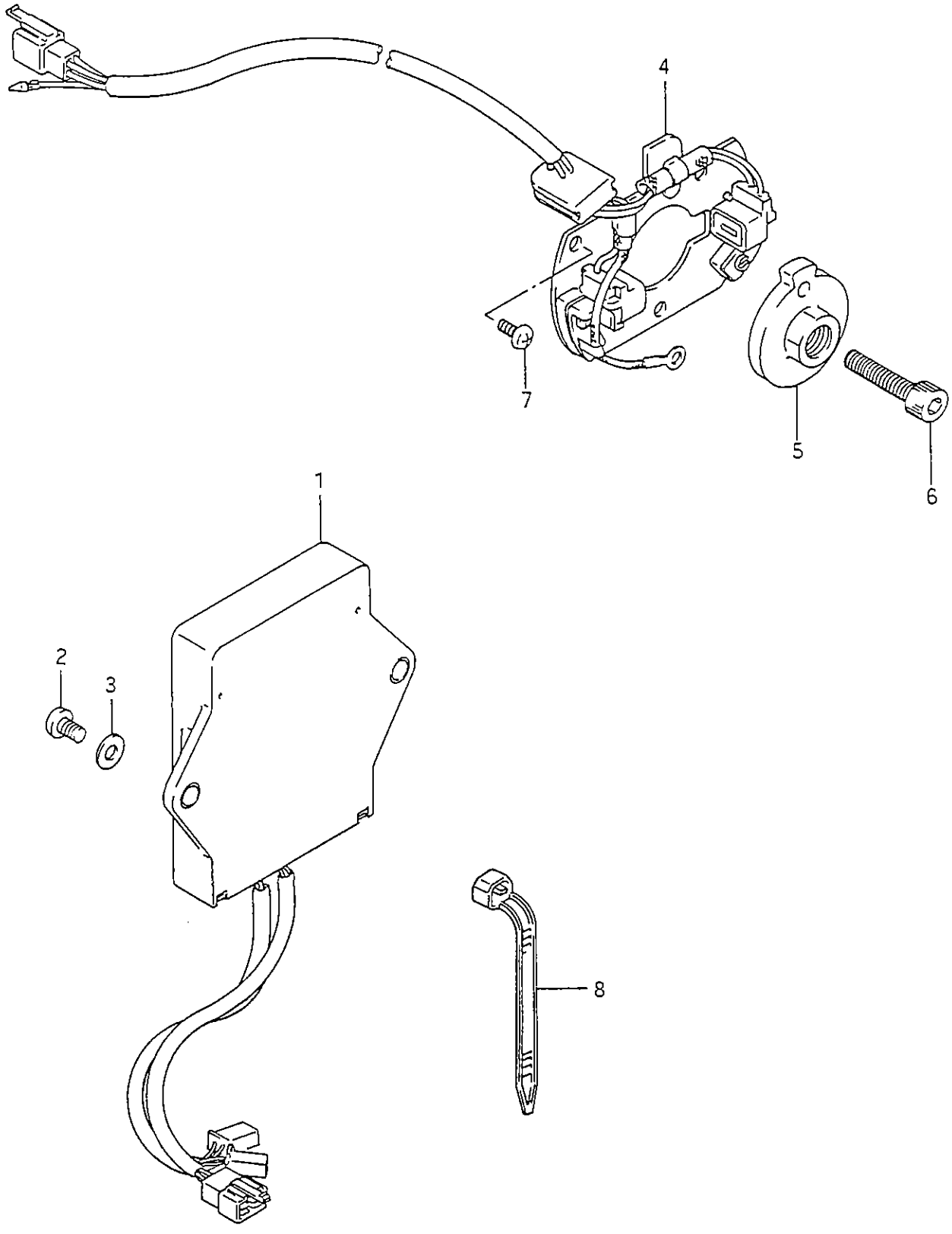
FIG. 22



1	31400-48B00	ALTERNATOR ASSY	1
2	31580-48B00	.FRAME, DRIVE END	1
3	31612-06B00	.BEARING	1
4	31710-48B00	.ROTOR ASSY	1
5	31613-27A00	.COVER (1)	1
6	31612-48B00	.BEARING	1
7	31613-27A10	.COVER (2)	1
8	31611-48B00	.FRAME, END	1
9	31621-27A00	.HOLDER, RECTIFIER	1
10	32500-27A00	.REGULATOR	1
11	31656-48B00	.HOLDER, BRUSH	1
12	31687-27A00	.COVER, RECTIFIER	1
13	31480-48B00	.LEAD WIRE	1
14	02112-04086	.SCREW	2
15	08321-21046	.LOCK WASHER	2
16	31688-27A00	.SCREW (5X17)	2
17	31688-06B00	.SCREW (5X18)	1
18	31614-48B00	.COVER	1
19	31692-48B00	.NUT	3
20	31780-48B00	.OIL SEAL SET	1
21	31514-27A00	.BUSH	1
22	31776-06B00	.SPACER	1
23	01517-08905	BOLT	3
24	22730-06B02	GEAR, GENERATOR DRIVEN (NT:28	1
25	22733-27A03	HOUSING, DAMPER	1
26	21231-06B00	DAMPER	4
27	08211-10283	WASHER	1
28	08316-26106	NUT	1

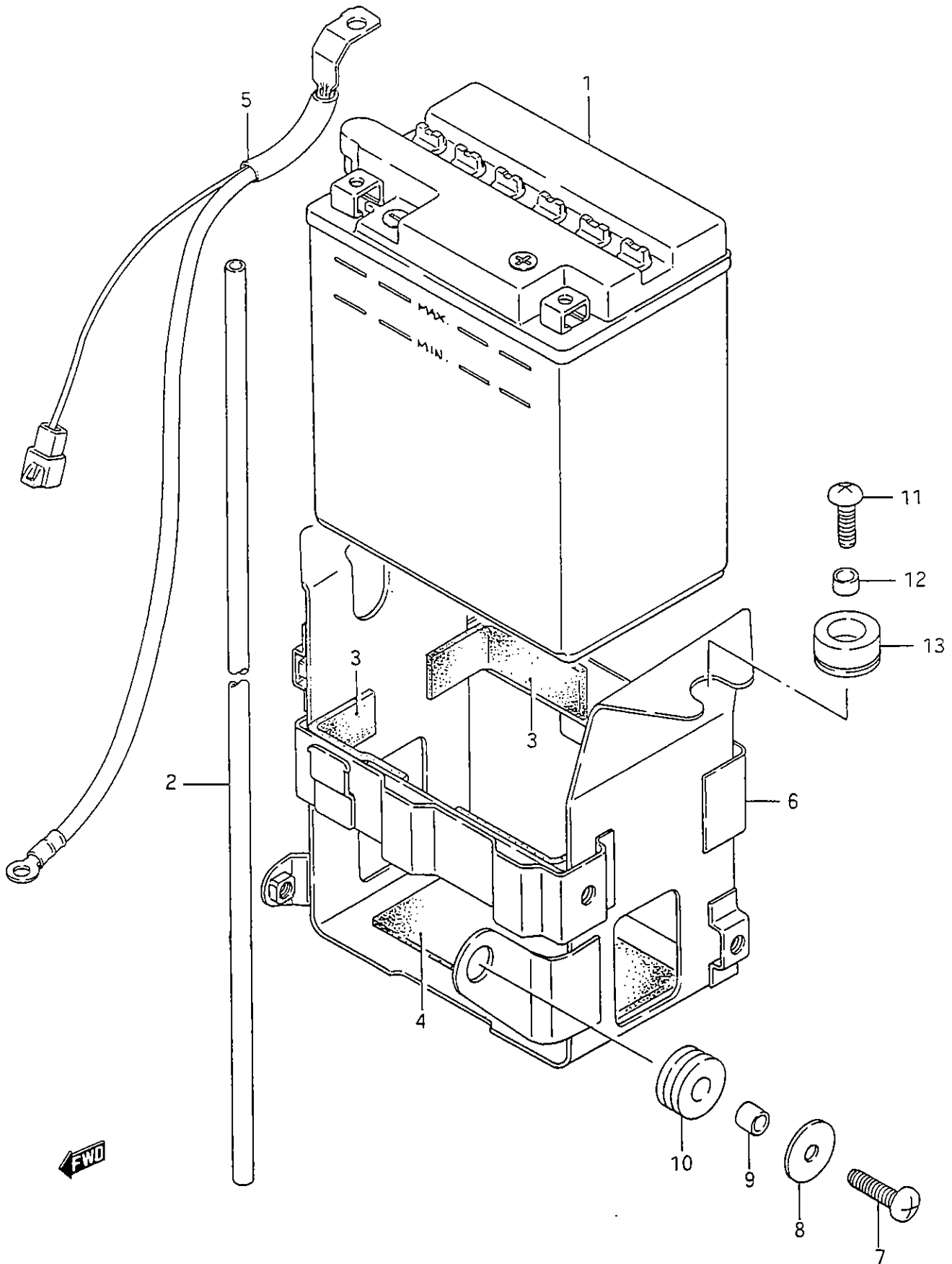
FIG. 23

FWD



1	32900-06B00	IGNITER UNIT	1
2	02112-06126	SCREW	2
3	08322-21066	WASHER	2
4	33110-27A00	SIGNAL GENERATOR ASSY	1
5	33120-27A00	ROTOR, SIGNAL	1
6	07110-08306	BOLT	1
7	02112-05107	SCREW	3
8	09407-14403	CLAMP (L:125)	2

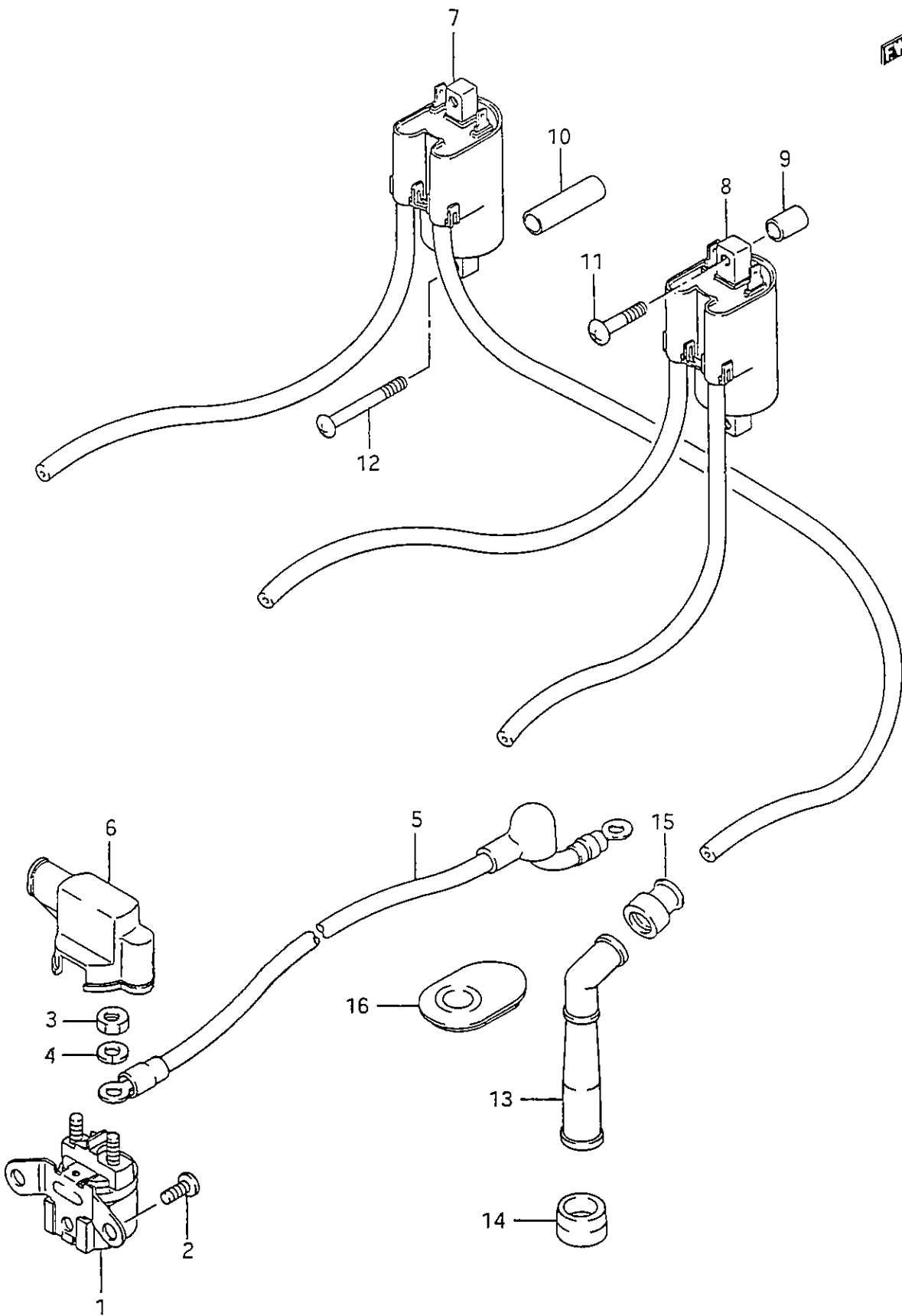
FIG. 24



1	33610-49210	BATTERY (12V,14AH)	1	
2	33680-31003	HOSE, BATTERY EXHAUST	1	
3	33652-29100	PROTECTOR (20X90X3)	4	
4	33651-37000	CUSHION	1	CUT AS REQUIRED PROFILE
4	33651-37000			(50X115)
5	33860-06B10	LEAD WIRE, BATTERY (-)	1	
6-1	41540-06B00	HOLDER, BATTERY	1	MODEL G
6-2	41540-06B10	HOLDER, BATTERY	1	MODEL H/J
7	02142-06167	SCREW	1	
8	09160-06007	WASHER (6.5X18X1.6)	1	
9	09180-06152	SPACER (6.4X9X8.5)	1	
10	09320-09021	CUSHION	1	
11	02142-06207	SCREW	2	
12	09180-06073	SPACER (6.4X9X5)	2	
13	41549-34A00	CUSHION	2	

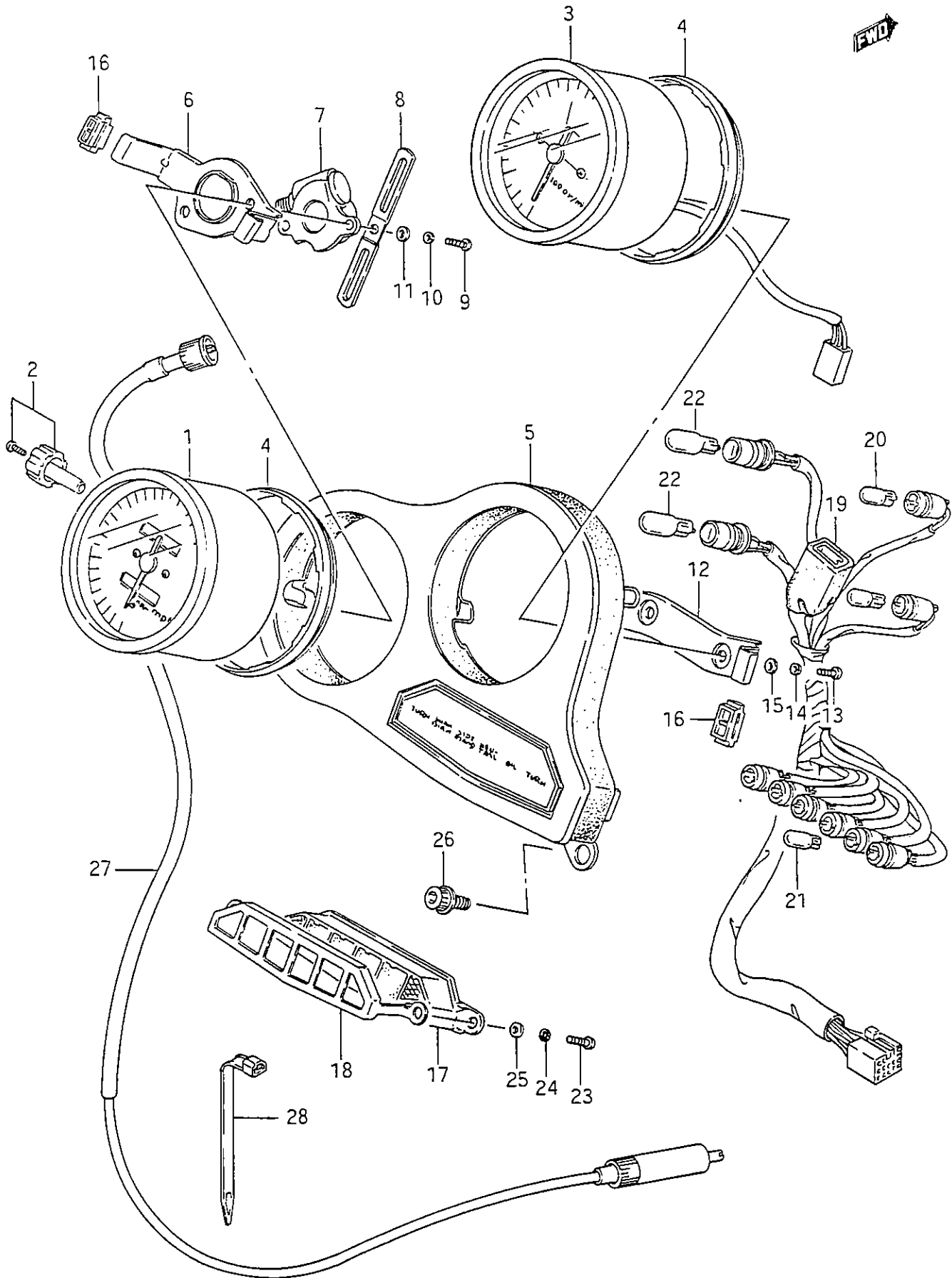
FIG. 25

END



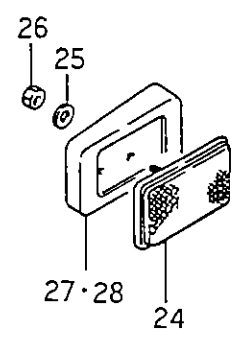
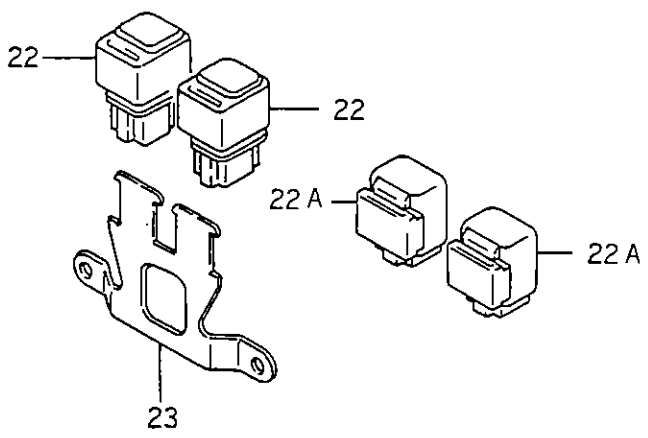
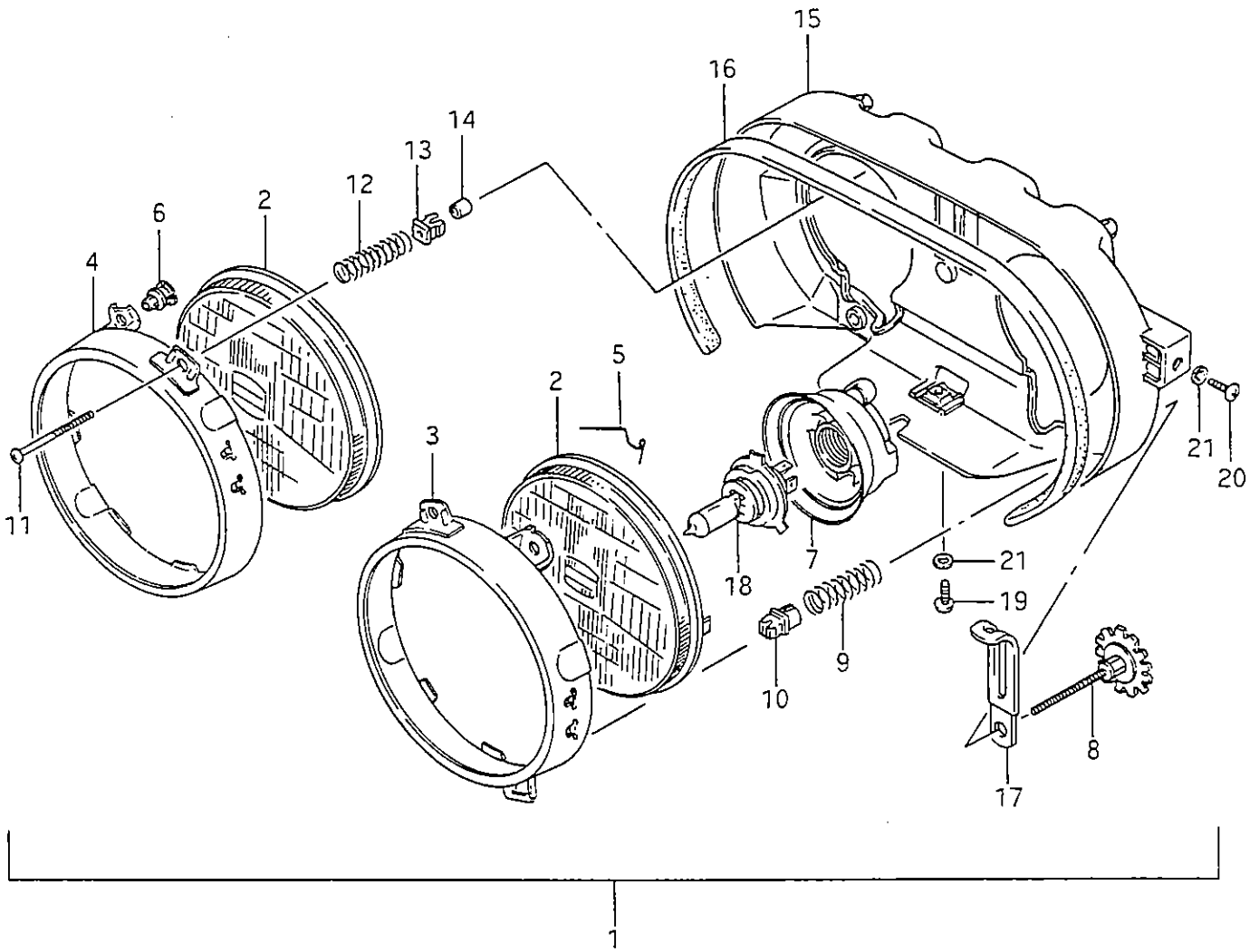
1	31800-49100	RELAY, STARTING MOTOR	1	
2	02112-06106	SCREW	2	
3	08310-11066	NUT	2	
4	08321-21066	LOCK WASHER	2	
5	33850-06B00	LEAD WIRE, STARTING MOTOR	1	
6	31861-44500	CAP, TERMINAL	1	
7	33410-27A00	COIL, IGNITION NO.1	1	
8	33420-27A00	COIL, IGNITION NO.2	1	
9	09180-06061	SPACER (6.5X10.5X15)	1	
10	09180-06130	SPACER (6.5X10.5X40)	2	
11	02112-06356	SCREW	2	
12	02112-06606	SCREW	2	
13-1	33510-27A11	CAP, SPARK PLUG	4	MODEL G/H
13-2	33510-48B10	CAP, SPARK PLUG	4	MODEL J
14	33541-27A22	SEAL, SPARK PLUG	4	
15	33542-98000	SEAL, HIGHTENSION CORD	4	
16	33543-27A21	COVER	4	

FIG. 26



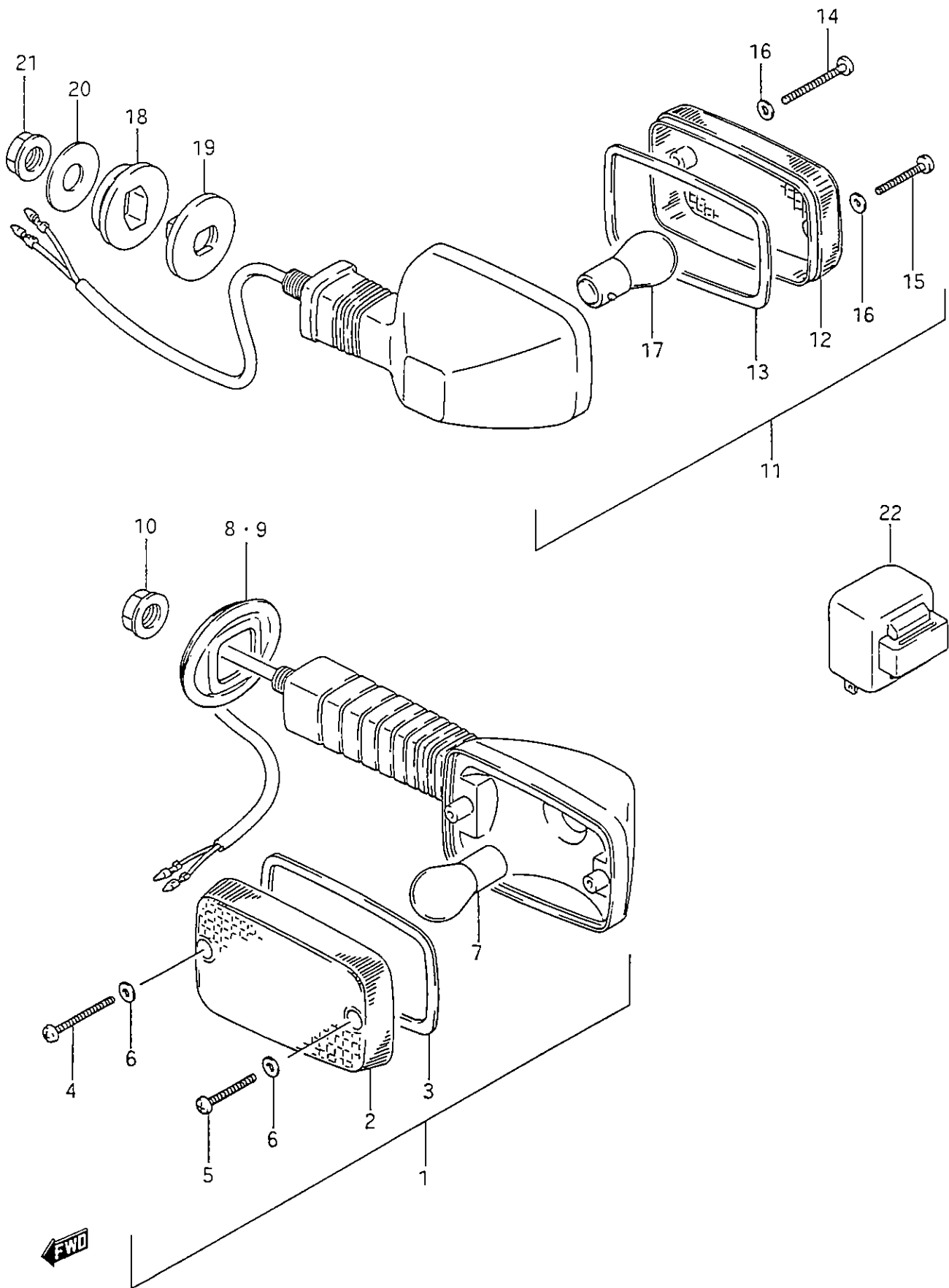
1-1	34110-06B30	SPEEDOMETER (MILE/KILO)	1	MODEL G/H
1-2	34110-06B20	SPEEDOMETER (MILE/KILO)	1	MODEL J
2	34124-04A30	KNOB, TRIP	1	
3	34210-06B10	TACHOMETER	1	
4	34288-06B10	CUSHION, METER	2	
5-1	34950-06B10	BRACKET, METER	1	MODEL G
5-2	34950-06B50	BRACKET, METER	1	MODEL H/J
6	34111-04A30	PLATE, SPEEDOMETER	1	
7	34131-04A00	BOX, METER GEAR	1	
8	36385-06B10	CLAMP	1	
9	02112-04124	SCREW	2	
10	08321-21045	LOCK WASHER	2	
11	08322-21045	WASHER	2	
12	34211-06B10	PLATE, TACHOMETER	1	
13	02112-04085	SCREW	2	
14	08321-21045	LOCK WASHER	2	
15	08322-21045	WASHER	2	
16	34189-04A30	CUSHION	4	
17	36380-04A30	BOX, PILOT LAMP	1	
18	36383-04A30	PLATE, PILOT LAMP	1	
19-1	34170-06B10	SOCKET, METER	1	MODEL G
19-2	34170-06B50	SOCKET, METER	1	MODEL H/J
20-1	09471-12103	BULB (12V,3W)	5	MODEL G
20-2	09471-12103	BULB (12V,3W)	4	MODEL H/J
21	09471-12108	BULB (12V,1.7W)	3	
22	09471-12028	BULB (12V,3.4W)	2	
23	02112-04124	SCREW	2	
24	08321-21045	LOCK WASHER	2	
25	08322-21045	WASHER	2	
26	07120-06125	BOLT	3	
27	34910-06B00	CABLE ASSY, SPEEDOMETER	1	
28	09407-14403	CLAMP, METER CABLE	1	

FIG. 27



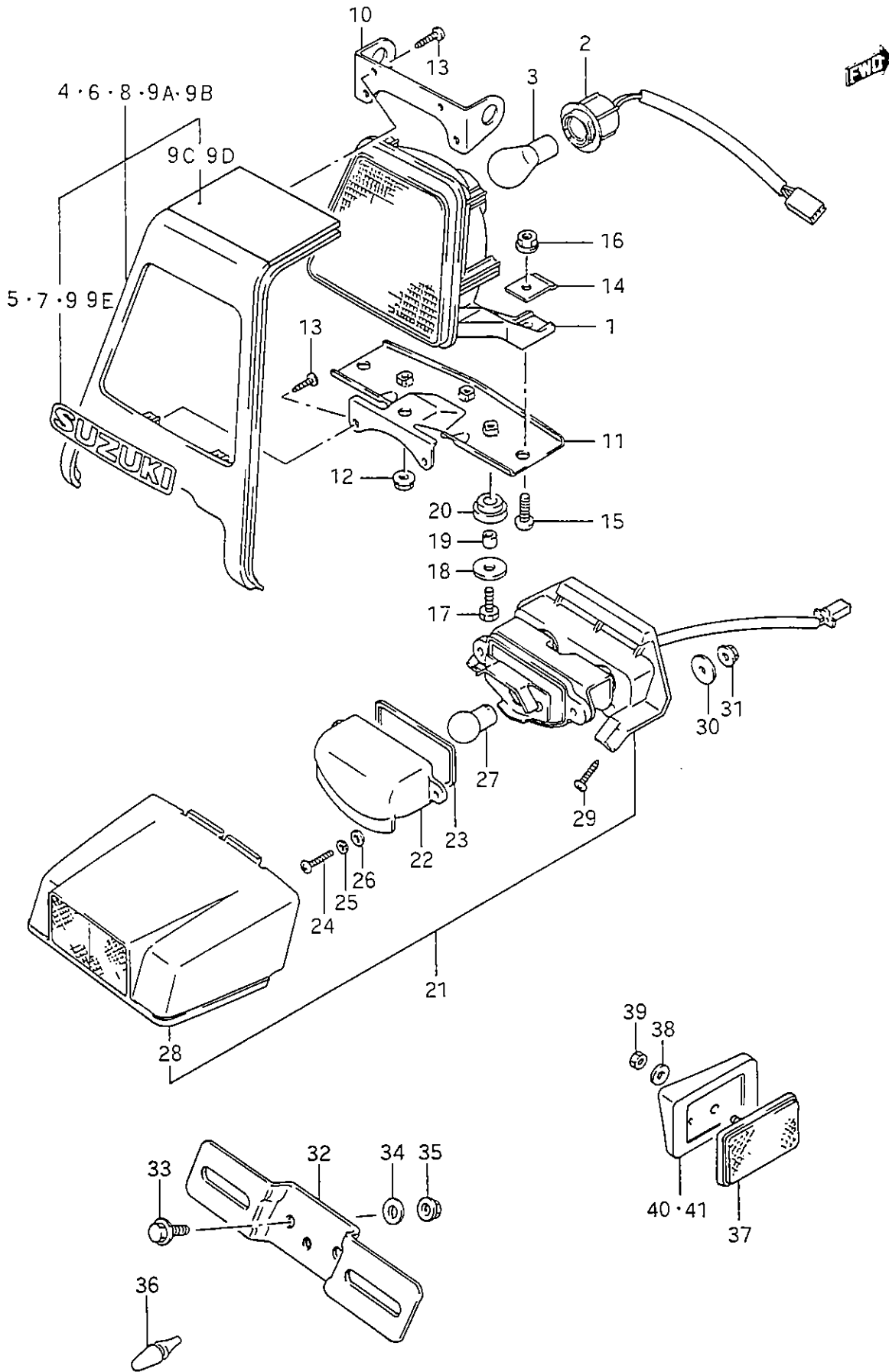
1	35100-06B30-999	HEADLAMP ASSY	1	
2	35121-06B30	.UNIT	1	
3	35126-27A00	.RING, RETAINING LH	1	
4	35127-27A00	.RING, RETAINING RH	1	
5	35128-46720	.SPRING. SUPPORT	6	
6	35162-04A00	.BEARING, SPHERICAL	2	
7	35173-20A01	.COVER, SOCKET	2	
8	35153-27A00	.SCREW, ADJUSTING	2	
9	35154-04A00	.SPRING	2	
10	35152-27A00	.NUT	2	
11	35151-04A00	.SCREW, ADJUSTING	2	
12	35154-04A00	.SPRING	2	
13	35155-04A00	.NUT	2	
14	35158-43400	.CAP, SCREW	2	
15	35240-06B00	.HOUSING	1	
16	35242-27A00	.GASKET	1	
17	09404-05401	.CLAMP	2	
18	09471-12060	BULB (12V,60/55W)	2	
19	02112-06166	SCREW	1	
20	02112-06106	SCREW	2	
21	08321-21066	LOCK WASHER	3	
22	38640-06B00	RELAY ASSY, HEADLAMP	2	MODEL G/H
22A	38640-06B10	RELAY ASSY, HEADLAMP	1	MODEL J
23	38641-06B00	BRACKET, RELAY	1	
24	35950-02100	REFLEX REFLECTOR, FRONT SIDE	2	
25	08322-21055	WASHER	2	
26	08310-11058	NUT	2	
27	35954-27A00	SPACER, RH	1	
28	35955-27A00	SPACER, LH	1	

FIG. 28



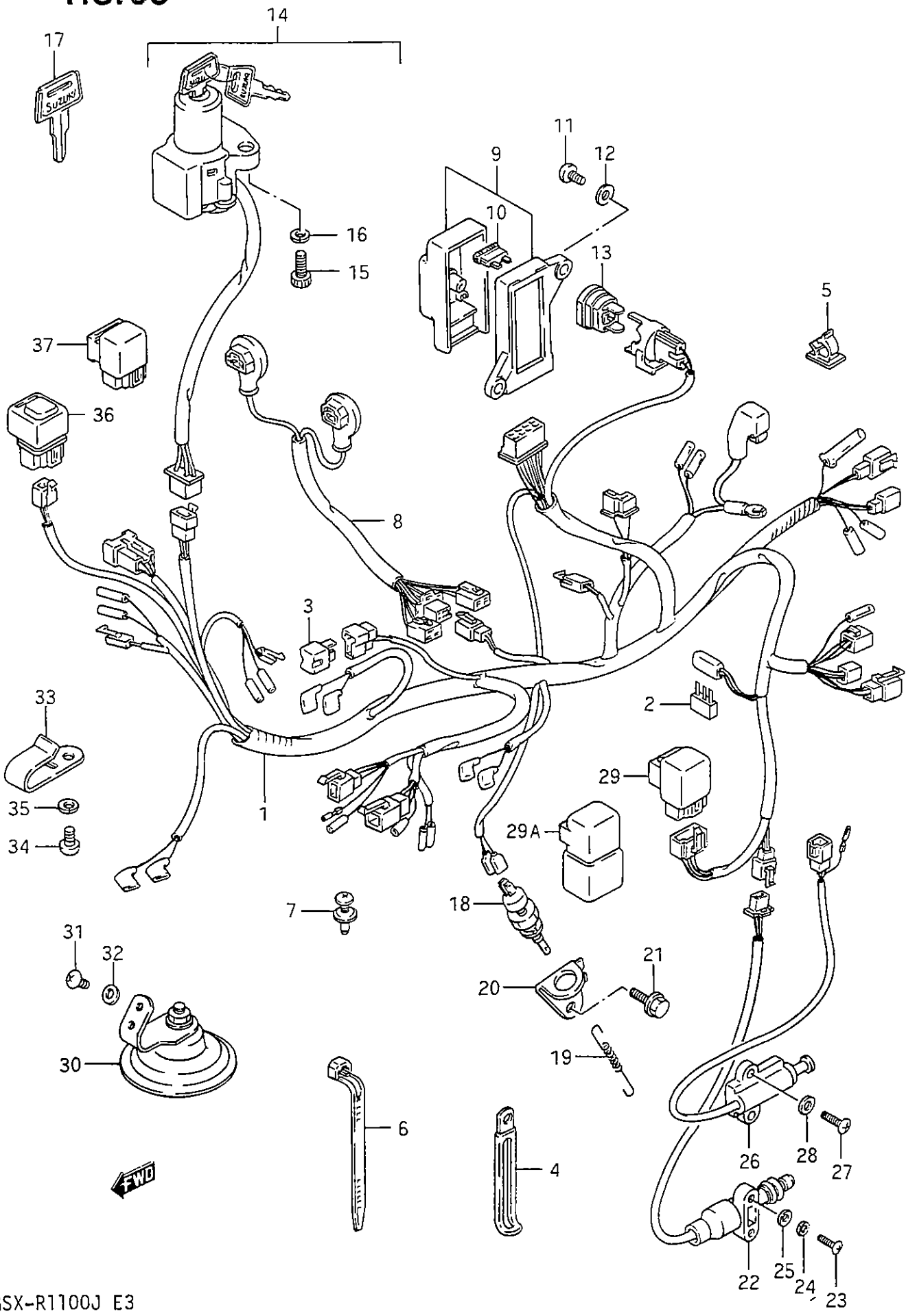
1	35601-06B30	LAMP ASSY, FRONT TURN SIGNAL	2
2	35612-02181	.LENS	2
3	35613-48700	.GASKET	2
4	35623-02180	.SCREW (4X38)	2
5	03211-04308	.SCREW	2
6	35627-43010	.GASKET	4
7	09471-12006	.BULB (12V,23W)	2
8	35674-27A30	GROMMET, FRONT RH	1
9	35684-27A30	GROMMET, FRONT LH	1
10	08316-26105	NUT	2
11	35603-06B30	LAMP ASSY, REAR TURN SIGNAL	2
12	35652-02181	.LENS	2
13	35613-48700	.GASKET	2
14	35623-02180	.SCREW (4X38)	2
15	03211-04308	.SCREW	2
16	35627-43010	.GASKET	4
17	09471-12006	.BULB (12V,23W)	2
18	35692-06B00	CUSHION	2
19	35695-06B00	SPACER	2
20	09160-10078	WASHER (10.2X27X1.6)	2
21	08316-26105	NUT	2
22	38610-31310	RELAY, TURN SIGNAL	1

FIG. 29



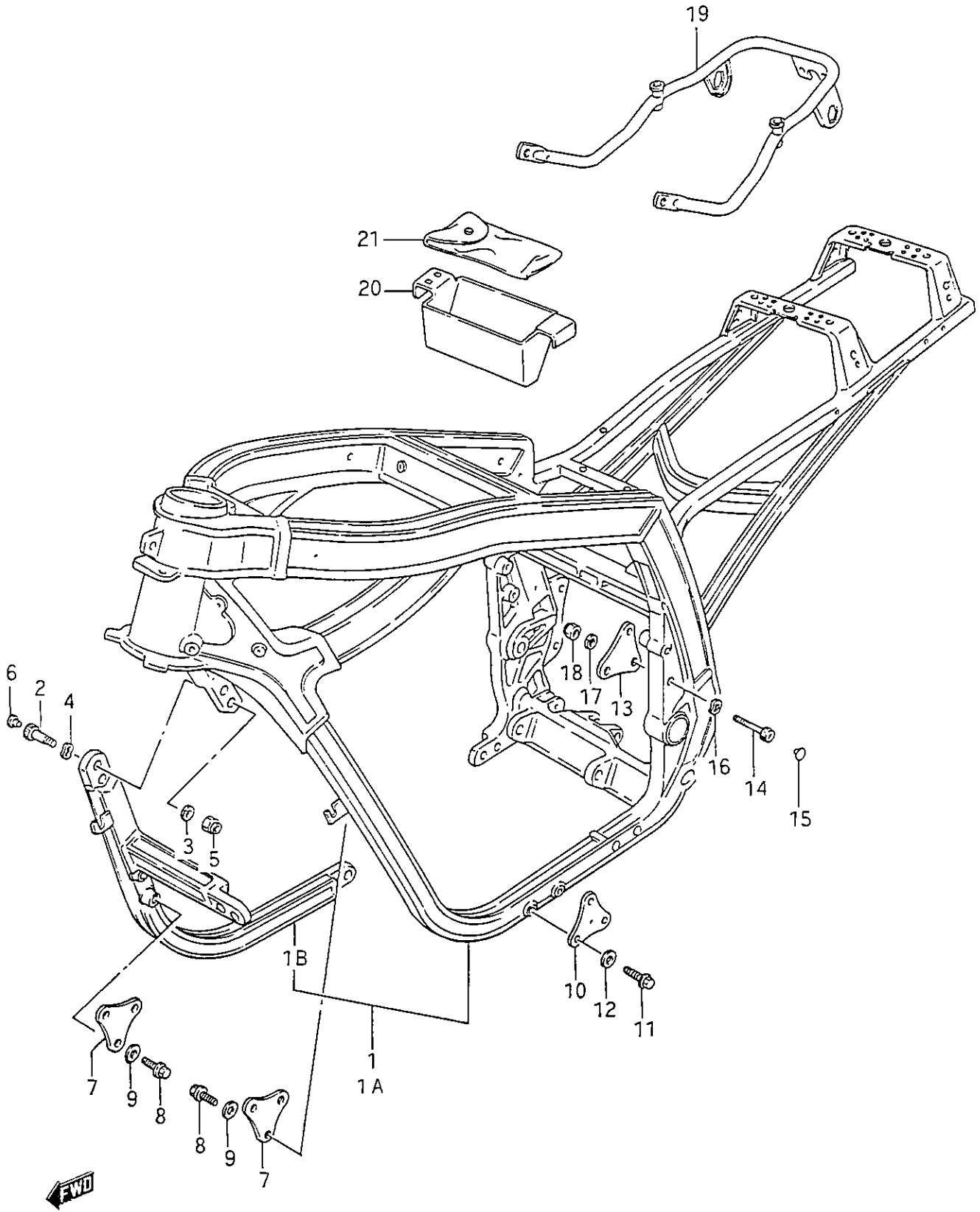
1	35740-27A31	UNIT, REAR COMBINATION LAMP	1	
2	35718-27A00	SOCKET	1	
3-1	09471-12084	BULB (12V,23/8W)	1	MODEL G/H
3-2	09471-12128	BULB (12V,21/5W)	1	MODEL J
4	35796-27A10-23Z	COVER, TAIL LAMP	1	MODEL G
4	35796-27A10-23Z	(POWERFUL BLUE)		
5	68166-31300-742	EMBLEM (SILVER)	1	
6	35796-27A10-13Z	COVER, TAIL LAMP (BLACK)	1	MODEL H
7	68166-31300-742	EMBLEM (SILVER)	1	
8	35796-27A10-34R	COVER, TAIL LAMP	1	MODEL H
8	35796-27A10-34R	(STARLIT BLUE)		
9	68166-31300-064	EMBLEM (WHITE)	1	MODEL H
9A	35796-06B10-22P	COVER, TAIL LAMP (RED)	1	MODEL J
9B	35796-06B10-30X	COVER, TAIL LAMP (BLUE)	1	MODEL J
9C	68655-06B00-13Z	.TAPE, COVER (BLACK)	1	FOR 22P
9D	68655-06B00-22R	.TAPE, COVER (WHITE)	1	FOR 30X
9E	68166-31300-22R	EMBLEM (WHITE)	1	
10	35716-27A00	PLATE	1	
11	35726-27A00	BRACKET	1	
12	08316-26066	NUT	1	
13	03212-04169	SCREW	6	
14	35716-40A00	PLATE	2	
15	02112-06166	SCREW	2	
16	08316-26066	NUT	2	
17	01107-06206	BOLT	3	
18	09160-06020	WASHER (6.5X20X1.6)	3	
19	09180-06084	SPACER (6.1X9X7.5)	3	
20	09320-09028	CUSHION	3	
21	35910-06B30	LAMP ASSY, LICENSE	1	
22	35912-00A10	.LENS	1	
23	35913-04A00	.GASKET	1	
24	02112-04167	.SCREW	2	
25	08321-21047	.LOCK WASHER	2	
26	08322-21047	.WASHER	2	
27	09471-12037	.BULB (12V,8W)	1	
28	35917-06B30	.COVER, LICENSE LAMP	1	
29	03241-04165	.SCREW	2	
30	09160-05011	WASHER (5.5X20X1.2)	3	
31	08316-26056	NUT	3	
32	35927-27A30	BRACKET, LICENSE PLATE	1	
33	01517-06168	BOLT	2	
34	09160-06020	WASHER (6.5X20X1.6)	2	
35	08316-26066	NUT	2	
36	09321-06023	CUSHION	1	
37	35970-49310	REFLEX REFLECTOR, REAR SIDE	2	
38	09160-05013	WASHER	2	
39	08310-11058	NUT	2	
40	35977-27A00	SPACER, RH	1	
41	35978-27A00	SPACER, LH	1	

FIG. 30



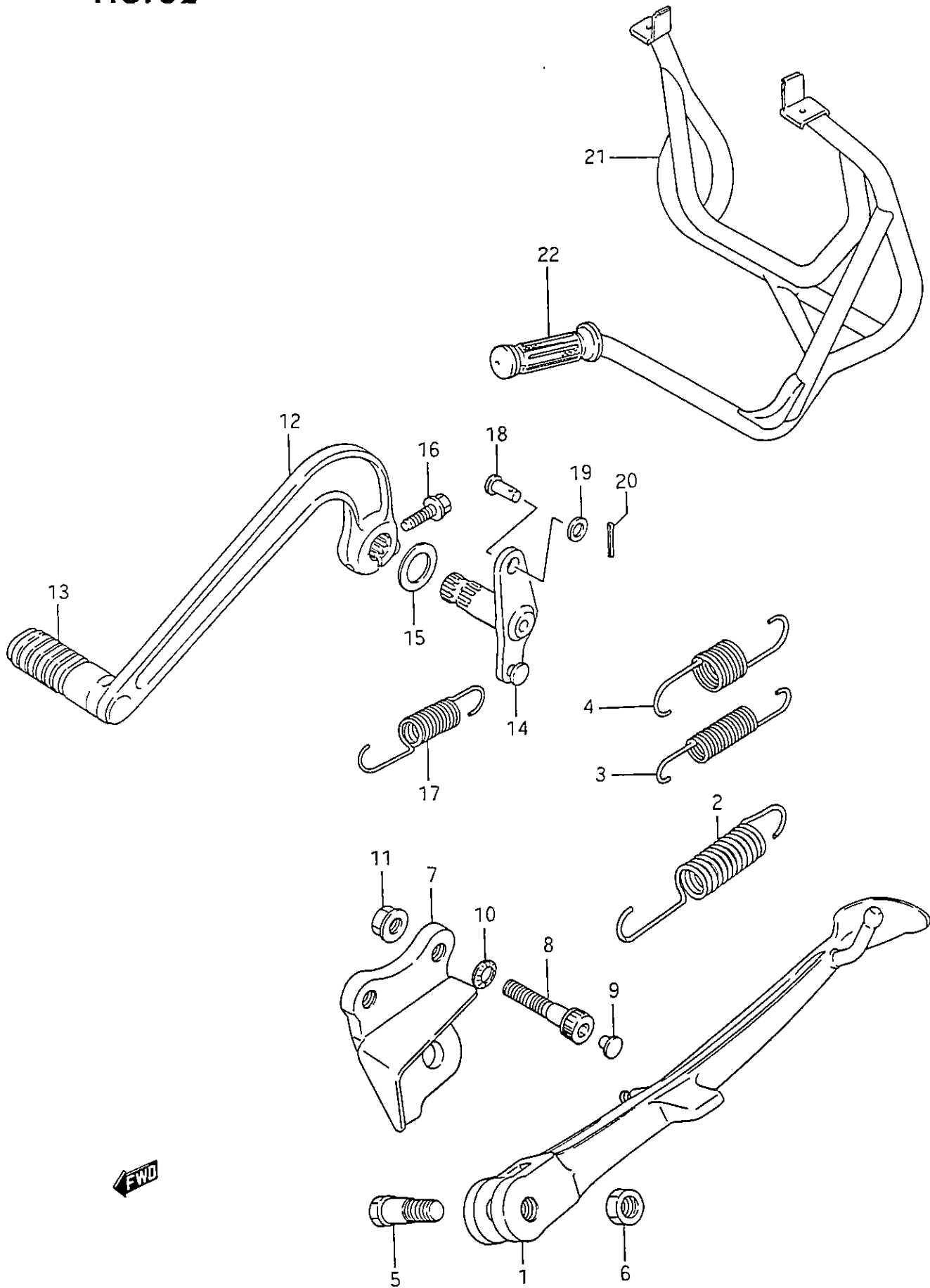
1-1	36610-06B00	HARNESS, WIRING	1	MODEL G
1-2	36610-06B30	HARNESS, WIRING	1	MODEL H/J
2	36611-38A00	.DIODE	1	MODEL H/J
3	32800-16A00	.DIODE	1	
4	09404-06415	CLAMP	2	
5	09403-07315	CLAMP	2	
6-1	09407-14403	CLAMP (L:125)	13	MODEL G/H
6-2	09407-14403	CLAMP (L:125)	11	MODEL J
6-3	09407-18402	CLAMP (L:165)	3	MODEL G/H
6-4	09407-18402	CLAMP (L:165)	4	MODEL J
6-5	09407-25403	CLAMP (L:235)	1	
7	09409-07305	CLIP	2	
8	36856-06B11	WIRE, HEADLAMP LEAD	1	
9	36740-05A01	FUSE BOX ASSY	1	
10	09481-10101	.FUSE (10A)	5	
11	02112-06128	SCREW	2	
12	08322-21067	WASHER	2	
13	36750-05A00	BREAKER ASSY, CIRCUIT	1	
14	37110-06B00	SWITCH ASSY, IGNITION	1	
15	37152-47011	.BOLT	2	
16	08321-21067	.LOCK WASHER	2	
17	37145-16700	KEY, BLANK	1	OPT
18	37740-24A00	SWITCH ASSY, STOP LAMP	1	
19	09443-06056	SPRING	1	
20	43251-27A00	BRACKET, STOP LAMP SWITCH	1	
21	01547-06207	BOLT	1	
22	37840-14A01	SWITCH, SIDE STAND WARNING	1	MODEL G
23	02112-05205	SCREW	2	MODEL G
24	08321-21055	LOCK WASHER	2	MODEL G
25	08322-21055	WASHER	2	MODEL G
26-1	37840-06B00	SWITCH ASSY, SIDE STAND	1	MODEL H
26-2	37840-06B10	SWITCH ASSY, SIDE STAND	1	MODEL J
27	02112-06164	SCREW	2	MODEL H/J
28	08322-21064	WASHER	2	MODEL H/J
29	38740-24B00	RELAY ASSY, SIDE STAND	1	MODEL H
29A	38740-24B10	RELAY, SIDE STAND WARNING	1	MODEL J
30-1	38500-06B21	HORN ASSY	1	MODEL G/H
30-2	38500-06B22	HORN ASSY	1	MODEL J
31	02112-06104	SCREW	2	
32	08322-21064	WASHER	2	
33	36619-06B00	CLAMP, HANDLE SWITCH WIRE	2	
34	02112-06125	SCREW	2	
35	08321-21064	LOCK WASHER	2	
36	38640-06B00	RELAY, ANTI-NOSE DIVE FORK	1	MODEL G/H
37	38640-06B10	RELAY, ANTI-NOSE DIVE FORK	1	MODEL J

FIG. 31



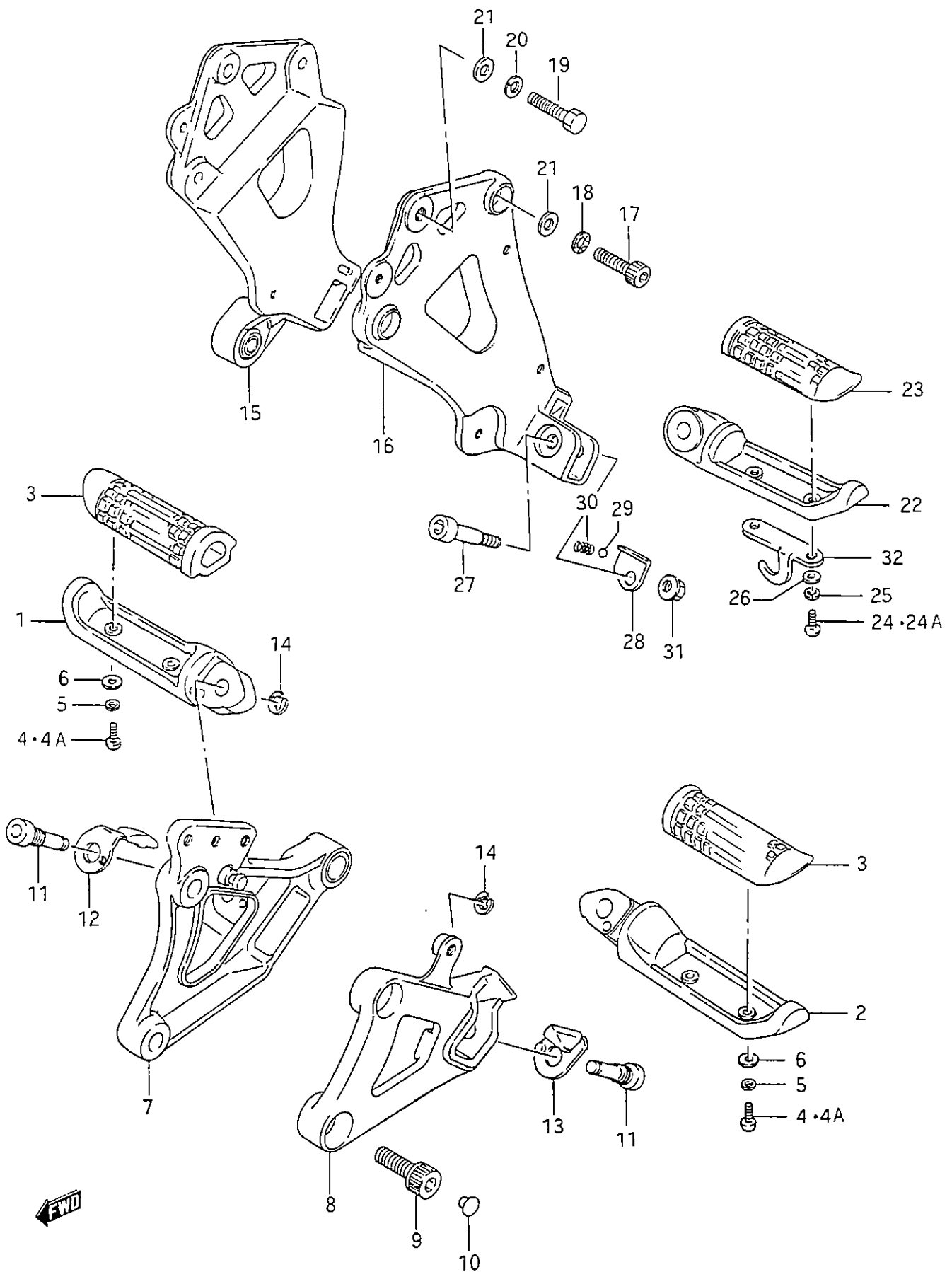
1-1	41100-06841	FRAME SET	1	MODEL G
1-2	41100-06861	FRAME SET	1	MODEL H
1A	41100-06880	FRAME SET	1	MODEL J
1B	41140-06B50	.TUBE, DOWN RH	1	MODEL J
2	09106-10028	.BOLT	6	
3	09160-10013	.WASHER	6	
4	09164-10005	.WASHER	6	
5	09159-10027	.NUT	6	
6	43575-34500	CAP	2	
7	41911-06B00	PLATE, ENGINE MOUNT NO.1	2	
8	01517-08258	BOLT	8	
9	09160-08010	WASHER	8	
10	41921-06B00	PLATE, ENGINE MOUNT NO.2	2	
11	07110-08408	BOLT	4	
12	09160-08010	WASHER	4	
13	41931-06B01	PLATE, ENGINE MOUNT NO.3	2	
14	07110-08458	BOLT	4	
15	41575-04A00	CAP	4	
16	09164-08015	WASHER	4	
17	08321-31087	LOCK WASHER	4	
18	08319-31087	NUT	4	
19-1	43980-06B00	GRIP, REAR	1	MODEL G
19-2	43980-06B01	GRIP, REAR	1	MODEL H/J
20	47431-27A01	HOLDER, TOOL	1	
21	09800-00345	TOOL ASSY	1	

FIG. 32



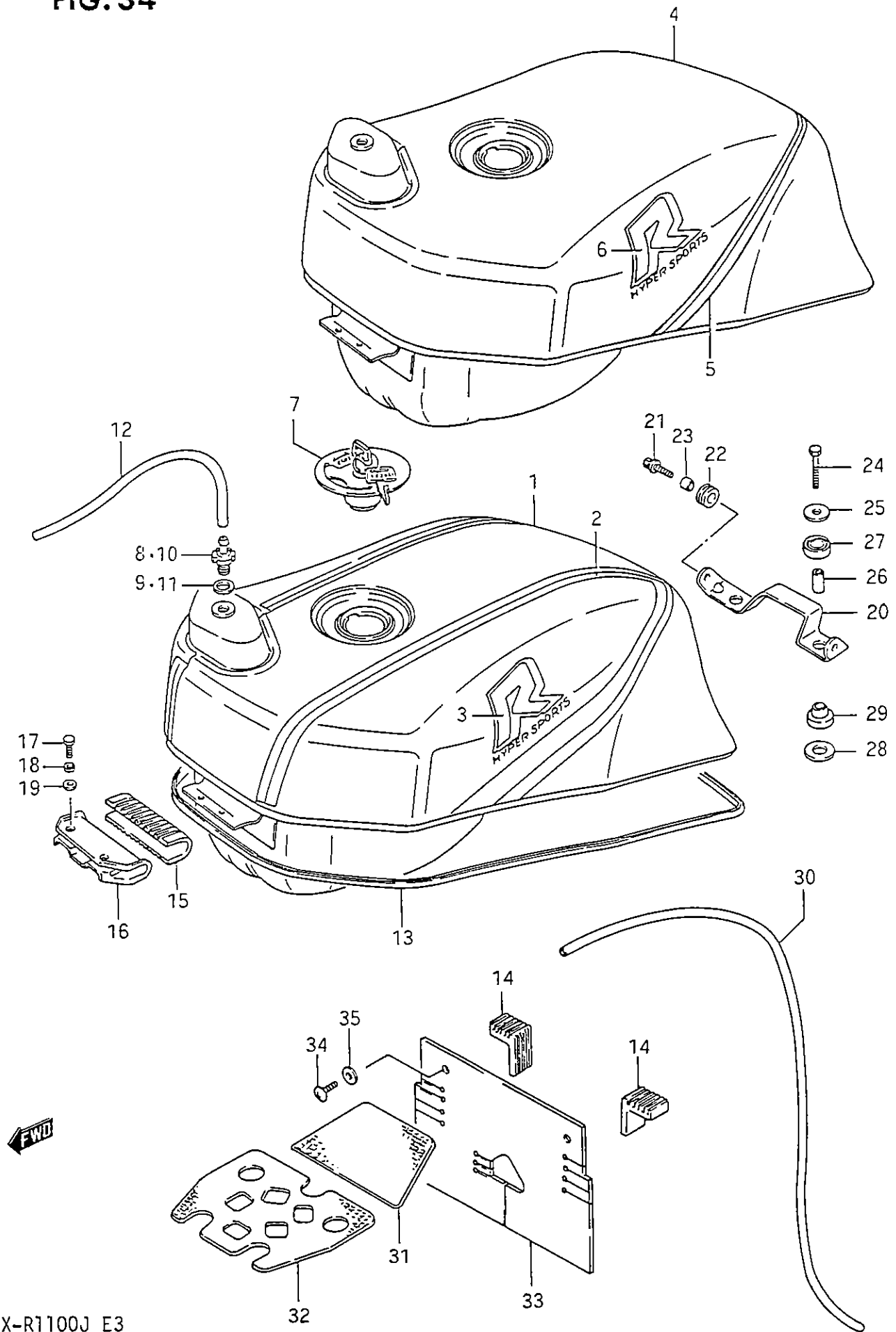
1	42310-06B00-13L	STAND, PROP (SILVER)	1	
2	09443-14040	SPRING	1	MODEL G
3	09443-14038	SPRING, INNER	1	MODEL H/J
4	09443-22006	SPRING, OUTER	1	MODEL H/J
5	09111-10036	BOLT	1	
6	08310-22107	NUT	1	
7-1	42330-06B01-13L	BRACKET, PROP STAND (SILVER)	1	MODEL G
7-2	42330-06B20	BRACKET, PROP STAND (SILVER)	1	MODEL H/J
8	07110-08358	BOLT	2	
9	41575-04A00	CAP	2	
10	09164-08015	WASHER	2	
11	08316-16088	NUT	2	
12-1	43110-27A01	PEDAL, BRAKE	1	MODEL G/H
12-2	43110-27A30	PEDAL, BRAKE	1	MODEL J
13	43151-04701	RUBBER, BRAKE PEDAL	1	
14	43120-27A00	ARM, BRAKE ROD	1	
15	43212-04A00	WASHER	1	
16-1	09103-06119	BOLT	1	MODEL G/H
16-2	09103-06072	BOLT	1	MODEL J
17	09443-14044	SPRING	1	
18	09200-06037	PIN	1	
19	08322-21067	WASHER	1	
20	04111-20158	COTTER PIN	1	
21	42100-27A00	STAND ASSY, REAR	1	OPT
22	57211-49510	.GRIP	1	OPT

FIG. 33



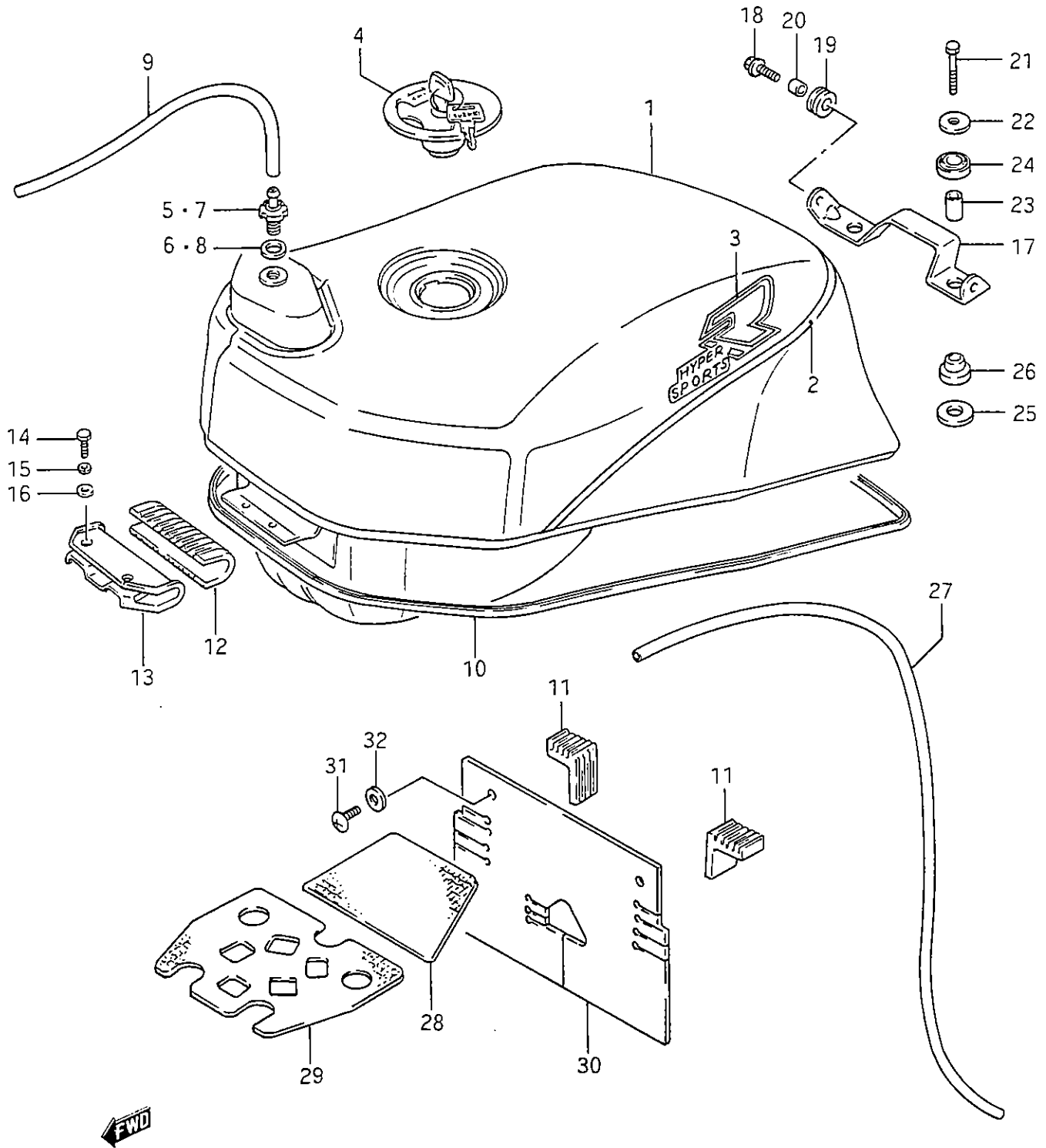
1	43501-06B00	FOOTREST ASSY, FRONT RH	1	
2	43502-06B00	FOOTREST ASSY, FRONT LH	1	
3	43550-06B00	RUBBER, FRONT FOOTREST	2	
4	02112-05208	SCREW	2	
4A	02112-05168	SCREW	2	
5	08321-21057	LOCK WASHER	4	
6	08322-21057	WASHER	4	
7	43510-27A00	BRACKET, FOOTREST RH	1	
8	43522-27A00	BRACKET, FOOTREST LH	1	
9	07110-10258	BOLT	4	
10	43575-34500	CAP	4	
11	43529-27A00	BOLT, FRONT FOOTREST	2	
12	43580-06B00	CUSHION, FRONT FOOTREST RH	1	
13	43590-06B00	CUSHION, FRONT FOOTREST LH	1	
14	08332-11068	E RING	2	
15-1	43810-27A00	BRACKET, FOOTREST RH	1	MODEL G
15-2	43810-27A01	BRACKET, FOOTREST RH	1	MODEL H/J
16-1	43821-27A00	BRACKET, FOOTREST LH	1	MODEL G
16-2	43821-27A01	BRACKET, FOOTREST LH	1	MODEL H/J
17	07110-06257	BOLT	4	
18	09164-06009	WASHER	4	
19	01107-06307	BOLT	2	
20	08321-21067	LOCK WASHER	2	
21	08322-21067	WASHER	6	
22-1	43601-06B00	FOOTREST ASSY, PILLION RH	1	
22-2	43602-06B00	FOOTREST ASSY, PILLION LH	1	
23	43610-06B00	RUBBER, PILLION FOOTREST	2	
24	09125-05066	SCREW	4	
24A	02112-05205	SCREW	2	
25	08321-21055	LOCK WASHER	4	
26	08322-21055	WASHER	4	
27	43642-04A00	BOLT	2	
28-1	43635-04A00	PLATE, SPRING STOP RH	1	
28-2	43735-04A00	PLATE, SPRING STOP LH	1	
29	06112-07004	BALL	2	
30	09440-05003	SPRING	2	
31	08319-31065	NUT	2	
32-1	43619-06B00	HOOK, RH	1	
32-2	43629-06B00	HOOK, LH	1	

FIG. 34



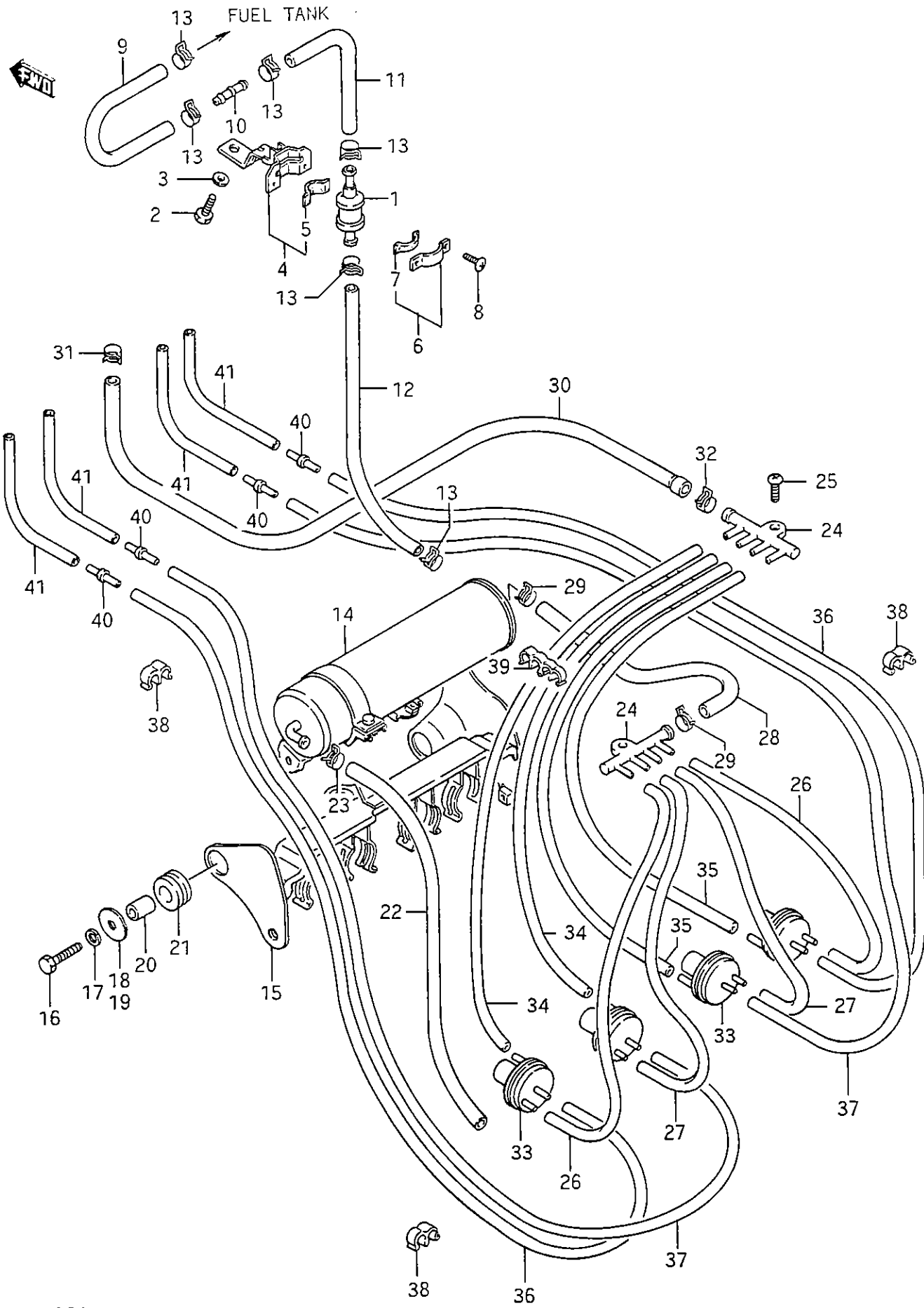
1-1	44100-06B20-8JVTANK ASSY, FUEL (WHITE/BLUE)	1	MODEL G
1-1	44100-06B20-8JV		OTHER THAN CALIFORNIA
1-2	44100-06B20-8JW TANK ASSY, FUEL (RED/BLUE)	1	MODEL G
1-2	44100-06B20-8JW		OTHER THAN CALIFORNIA
1-3	44100-06B30-8JV(CA) TANK ASSY, FUEL	1	MODEL G,CALIFORNIA ONLY
1-3	44100-06B30-8JV (WHITE/BLUE)		
1-4	44100-06B30-8JW(CA) TANK ASSY, FUEL	1	MODEL G,CALIFORNIA ONLY
1-4	44100-06B30-8JW (RED/BLUE)		
2-1	68110-06B11-8KA.TAPE SET, FUEL TANK	1	MODEL G FOR 8JV
2-2	68110-06B11-8KB.TAPE SET, FUEL TANK	1	MODEL G FOR 8JW
3	68111-27A00-8KC.EMBLEM	2	MODEL G
4-1	44100-06B40-9HDTANK ASSY, FUEL (BLACK/RED)	1	MODEL H
4-1	44100-06B40-9HD		OTHER THAN CALIFORNIA
4-2	44100-06B40-9HJTANK ASSY, FUEL (BLUE/WHITE)	1	MODEL H
4-2	44100-06B40-9HJ		OTHER THAN CALIFORNIA
4-3	44100-06B60-9HD(CA) TANK ASSY, FUEL	1	MODEL H,CALIFORNIA ONLY
4-3	44100-06B60-9HD (BLACK/RED)		
4-4	44100-06B60-9HJ(CA) TANK ASSY, FUEL	1	MODEL H,CALIFORNIA ONLY
4-4	44100-06B60-9HJ (BLUE/WHITE)		
5-1	68110-27A40-9HU.TAPE SET, FUEL TANK	1	MODEL H FOR 9HD
5-2	68110-27A40-9HT.TAPE SET, FUEL TANK	1	MODEL H FOR 9HJ
6-1	68111-27A00-8SP.EMBLEM	2	MODEL H FOR 9HD
6-2	68111-27A00-9HJ.EMBLEM	2	MODEL H FOR 9HJ
7	44200-20A00-KEYCAP ASSY, FUEL TANK	1	
8	44240-06B10 PLUG, FUEL TANK BREATHER	1	OTHER THAN CALIFORNIA
9	09168-12012 GASKET	1	OTHER THAN CALIFORNIA
10	44240-28A01 (CA) VALVE, FUEL TANK BREATHE	1	CALIFORNIA ONLY
11	09168-27001 (CA) GASKET	1	CALIFORNIA ONLY
12	09343-05165 HOSE, BREATHER (L:890->420)	1	
13	68241-27A00 MOLDING, FUEL TANK	1	
14	44545-27A10 CUSHION, FUEL TANK SIDE	2	
15	44511-27A10 CUSHION, FUEL TANK FRONT	1	
16	44521-27A00 BRACKET, FUEL TANK FRONT	1	
17	01107-06205 BOLT	2	
18	08321-21064 LOCK WASHER	2	
19	08322-21064 WASHER	2	
19	08322-21064 REFER TO FIG.35 (F-8) FOR MOD		
20	45211-06B00 BRACKET, SEAT SUPPORT	1	
21	09138-06042 BOLT	2	
22	09320-08007 CUSHION	2	
23	09180-06038 SPACER	2	
24	01107-06356 BOLT	2	
25	09160-06072 WASHER	2	
26	09180-06072 SPACER	2	
27	09320-14017 CUSHION, REAR UPPER	2	
28	09160-12004 WASHER, LOWER	2	
29	09320-10038 CUSHION, REAR LOWER	2	
30	09343-05165 HOSE, DRAIN (L:890->790)	1	
31	44191-27A00 HEAT SHIELD, CENTER	1	
32	44192-27A00 HEAT SHIELD, FRONT	1	
33	44194-06B00 HEAT SHIELD, REAR	1	
34	02142-06207 SCREW	2	
35	09160-06007 WASHER	2	
35	09160-06007 REFER TO FIG.35 (F-8) FOR MOD		

FIG. 35



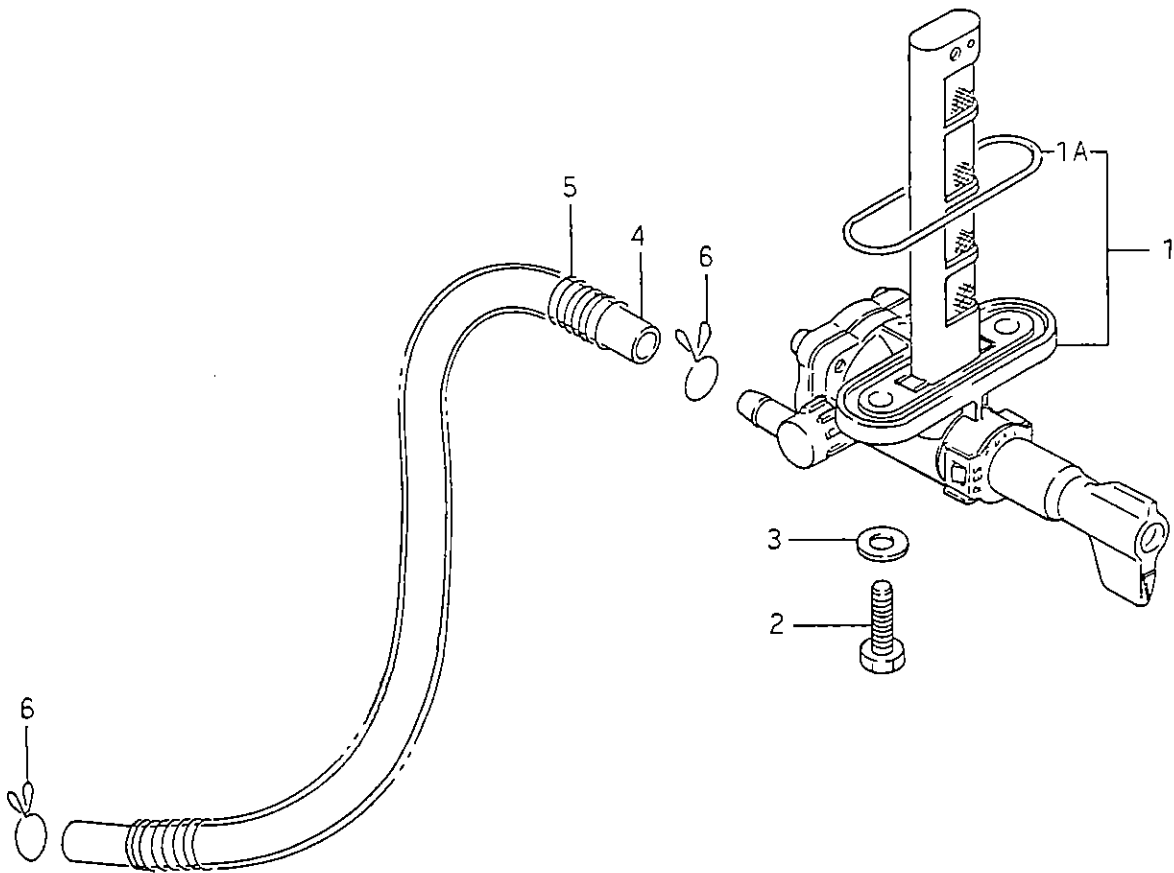
1-1	44100-06B70-9HDTANK ASSY, FUEL (BLACK/RED)	1	OTHER THAN CALIFORNIA
1-2	44100-06B70-9SRTANK ASSY, FUEL (WHITE/BLUE)	1	OTHER THAN CALIFORNIA
1-3	44100-06B90-9HD(CA) TANK ASSY, FUEL	1	CALIFORNIA ONLY
1-3	44100-06B90-9HD (BLACK/RED)		
1-4	44100-06B90-9SR(CA) TANK ASSY, FUEL	1	CALIFORNIA ONLY
1-4	44100-06B90-9SR (WHITE/BLUE)		
2-1	68115-06B00-22P.TAPE SET, FUEL TANK (RED)	1	FOR 9HD
2-2	68115-06B00-33N.TAPE SET, FUEL TANK (BLUE)	1	FOR 9SR
3-1	68111-06B00-2GK.EMBLEM	2	FOR 9HD
3-2	68111-06B00-2GS.EMBLEM	2	FOR 9SR
4	44200-20A00-KEYCAP ASSY, FUEL TANK	1	
5	44240-06B10 PLUG, FUEL TANK BREATHER	1	OTHER THAN CALIFORNIA
6	09168-12012 GASKET	1	OTHER THAN CALIFORNIA
7	44240-28A01 (CA) VALVE, FUEL TANK BREATHE	1	CALIFORNIA ONLY
8	09168-27001 (CA) GASKET	1	CALIFORNIA ONLY
9	09352-50823-890HOSE, BREATHER (L:890->420)	1	
10	68241-27A00 MOLDING, FUEL TANK	1	
11	44545-27A10 CUSHION, FUEL TANK SIDE	2	
12	44511-27A10 CUSHION, FUEL TANK FRONT	1	
13	44521-27A00 BRACKET, FUEL TANK FRONT	1	
14	01107-06205 BOLT	2	
15	08321-21064 LOCK WASHER	2	
16	08322-21064 WASHER	2	
17	45211-06B00 BRACKET, SEAT SUPPORT	1	
18	09138-06042 BOLT	2	
19	09320-08007 CUSHION	2	
20	09180-06038 SPACER	2	
21	01107-06356 BOLT	2	
22	09160-06072 WASHER	2	
23	09180-06072 SPACER	2	
24	09320-14017 CUSHION, REAR UPPER	2	
25	09160-12004 WASHER, LOWER	2	
26	09320-10038 CUSHION, REAR LOWER	2	
27	09352-50823-890HOSE, DRAIN (L:890->790)	1	
28	44191-27A00 HEAT SHIELD, CENTER	1	
29	44192-27A00 HEAT SHIELD, FRONT	1	
30	44194-06B00 HEAT SHIELD, REAR	1	
31	02142-06207 SCREW	2	
32	09160-06007 WASHER	2	

FIG. 36



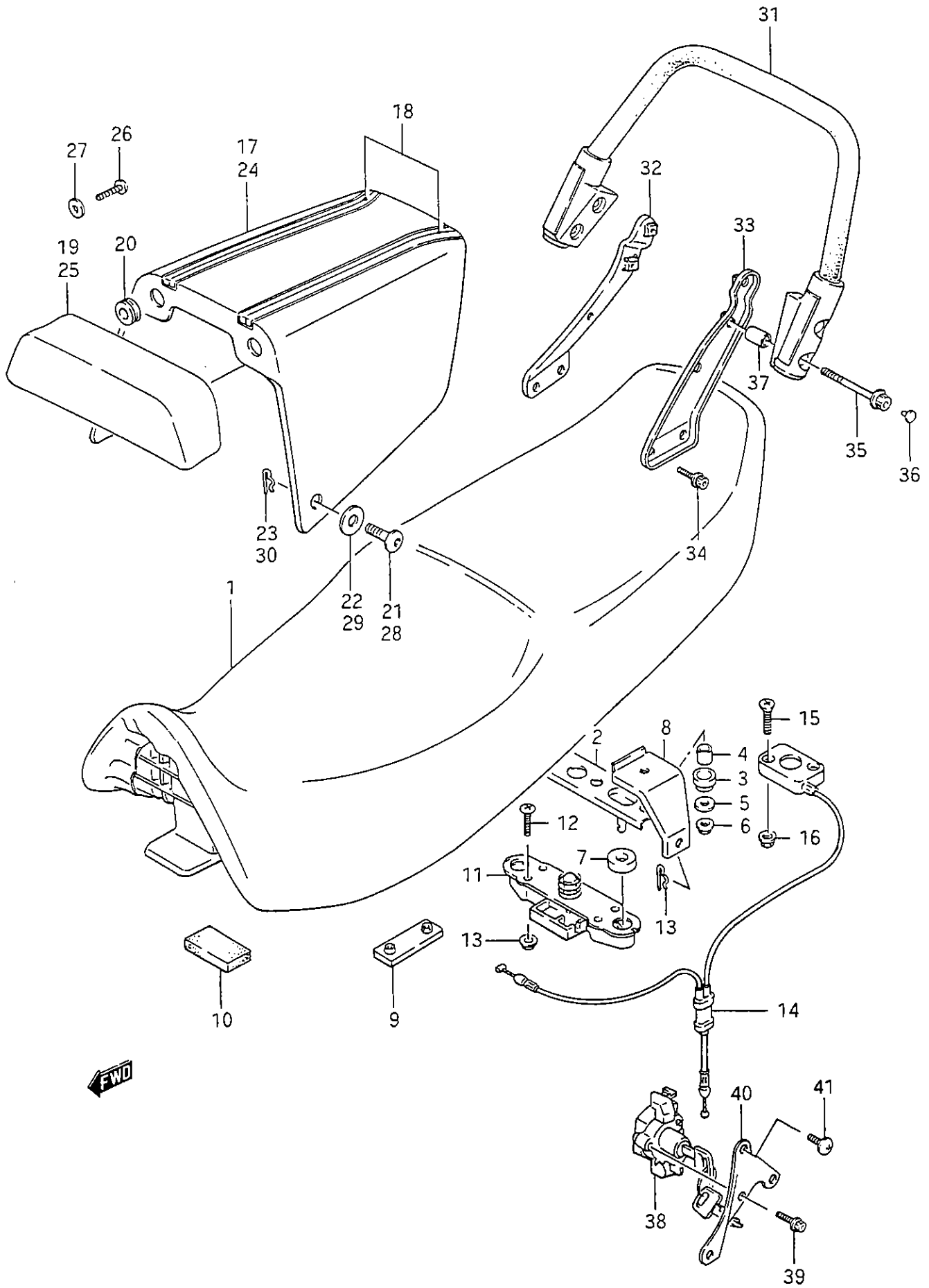
1	44240-38A00	VALVE, FUEL TANK BREATHER	1	
2	01107-06166	BOLT	1	
3	08321-21066	LOCK WASHER	1	
4	44890-06B00	PLATE, BREATHER VALVE NO.1	1	
5	44894-24A00	.CUSHION	1	
6	44892-24A00	PLATE, BREATHER VALVE NO.2	1	
7	44894-24A00	.CUSHION	1	
8	02142-04103	SCREW	2	
9	09343-05371	HOSE, TANK JOINT PIPE	1	
10	09364-06005	PIPE, HOSE JOINT	1	
11	09343-05405	HOSE, JOINT PIPE/BREATHER	1	
11	09343-05405	VALVE		
12-1	09343-05399	HOSE, BREATHER VALVE/CANISTER	1	MODEL G
12-2	09343-05328	HOSE, BREATHER VALVE/CANISTER	1	MODEL H
12-3	09358-54116-25A	HOSE, BREATHER VALVE/CANISTER	1	MODEL J
13	09401-11410	CLIP	6	
14	17210-28A00	CANISTER ASSY	1	
15	44880-06B00	BRACKET, CANISTER	1	
16	01107-06255	BOLT	3	
17	08321-31064	LOCK WASHER	3	
18	09160-06076	WASHER	2	
19	09160-06063	WASHER, LH	1	
20	09180-06120	SPACER	3	
21	09320-11012	CUSHION	3	
22	09354-70133-185	HOSE, CANISTER DRAIN	1	
23	09401-12406	CLAMP	1	
24	09367-04006	SEPARATOR VALVE	2	
25	02112-05166	SCREW	2	
26	44411-28A00	HOSE, SEPARATOR/VACUUM VALVE	2	
26	44411-28A00	NO.1,NO.4 (L:130		
27	44416-28A00	HOSE, SEPARATOR/VACUUM VALVE	2	
27	44416-28A00	NO.2,NO.3 (L:100		
28-1	09343-07193	HOSE, CANISTER/SEPARATOR JOIN	1	MODEL G
28-2	09343-07161	HOSE, CANISTER/SEPARATOR JOIN	1	MODEL H
28-3	09354-70123-170	HOSE, CANISTER/SEPARATOR JOIN	1	MODEL J
29	09401-12406	CLAMP	2	
30	09359-54111-270	HOSE, SEPARATOR/CARBURETOR	1	L:270->200
30	09359-54111-270	JOINT		
31	09401-11410	CLIP	1	
32	09401-12406	CLIP	1	
33	44250-28A00	VALVE, VACUUM CONTROL	4	
34	44419-06B00	HOSE, MIDDLE LH	2	
35	44418-06B00	HOSE, MIDDLE RH (L:220)	2	
36	44417-06B00	HOSE, VACUUM VALVE/CARBURETOR	2	
36	44417-06B00	NO.1,NO.4 (L:800->440		
37	44412-28A00	HOSE, VACUUM VALVE/CARBURETOR	2	
37	44412-28A00	NO.2,NO.3		
38	09408-00033	CLAMP	4	
39	09408-00035	CLAMP	1	
40	45424-24A00	JOINT, HOSE	4	
41	09343-03079	HOSE, CARBURETOR PURGE	4	

FIG. 37



1-1	44300-28A01	COCK ASSY, FUEL	1	MODEL G
1-2	44300-28A02	COCK ASSY, FUEL	1	MODEL H/J
1A	44348-49170	.O RING	1	
2	09128-06006	BOLT	2	
3	09168-06010	GASKET	2	
4-1	09343-07073	HOSE (L:380->270)	1	MODEL G
4-2	09343-07152	HOSE (L:1280->270)	1	MODEL H
4-3	09352-70103-28A	HOSE (L:1280->270)	1	MODEL J
5	09440-13020	SPRING	1	
6-1	09401-11410	CLIP	2	MODEL G
6-2	09401-10402	CLIP	2	MODEL H/J

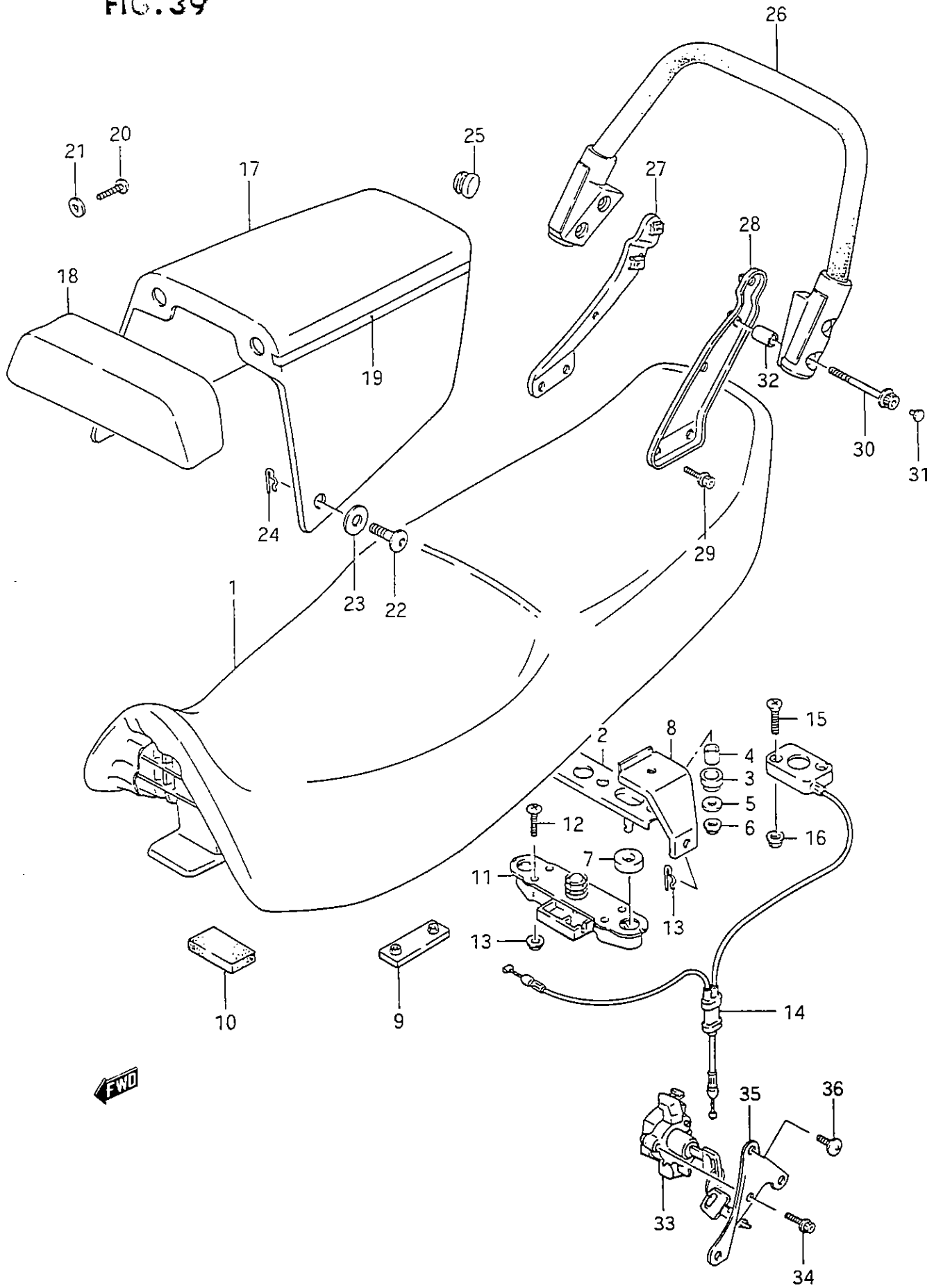
FIG. 38



← FWD

1-1	45100-06B10-58D	SEAT ASSY (BLUE)	1	MODEL G FOR 8JV
1-2	45100-06B10-58E	SEAT ASSY (RED)	1	MODEL G FOR 8JW
1-3	45100-06B10-58R	SEAT ASSY (BLACK)	1	MODEL H FOR 9HD
1-4	45100-06B10-49T	SEAT ASSY (BLUE)	1	MODEL H FOR 9HJ
2	45210-06B00	.STRIKER, SEAT LOCK	1	
3	45215-06B00	.CUSHION	2	
4	45216-06B00	.SPACER	2	
5	09160-06020	.WASHER	2	
6	08316-16066	.NUT	2	
7	45213-31300	.CUSHION, BOSS	2	
8	45230-06B00	.BRACKET, SEAT SIDE	2	
9	09321-08009	.CUSHION	2	
10	45255-27A00	.CUSHION	1	
11	45220-13601	BRACKET, SEAT SUPPORT FRONT	1	
12	02112-06305	SCREW	4	
13	08316-26065	NUT	4	
14	45220-06B00	BRACKET, SEAT SUPPORT REAR	1	
15	02122-06255	SCREW	2	
16	08316-26065	NUT	2	
17-1	45550-06850-8JV	BOX, SEAT TAIL	1	MODEL G FOR 58D
17-2	45550-06850-8JW	BOX, SEAT TAIL	1	MODEL G FOR 58E
18-1	68650-06B00-8KA	.TAPE SET, TAIL BOX	1	MODEL G FOR 8JV
18-2	68650-06B00-8KB	.TAPE SET, TAIL BOX	1	MODEL G FOR 8JW
19-1	46220-27A00-58D	.BACKREST, SEAT (BLUE)	1	MODEL G FOR 8JV
19-2	46220-27A00-58E	.BACKREST, SEAT (RED)	1	MODEL G FOR 8JW
20	09320-12031	.CUSHION	2	MODEL G
21	45186-06B00	.BOLT	2	MODEL G
22	09160-10079	.WASHER	2	MODEL G
23	09385-06001	.CLIP	2	MODEL G
23	09385-06001	REFER TO FIG.39 (F-15) FOR MO		
24-1	45550-06862-13Z	BOX SET, SEAT TAIL (BLACK)	1	MODEL H FOR 58R
24-2	45550-06862-34R	BOX SET, SEAT TAIL (BLUE)	1	MODEL H FOR 49T
25-1	46220-27A01-58R	.BACKREST, SEAT (BLACK)	1	MODEL H FOR 13Z
25-2	46220-27A01-49T	.BACKREST, SEAT (BLUE)	1	MODEL H FOR 34R
26	02142-06205	.SCREW	2	MODEL H
27	09160-06039	.WASHER	2	MODEL H
28	45186-06B00	.BOLT	2	MODEL H
29	09161-10010	.WASHER	2	MODEL H
30	09385-06001	.CLIP	2	MODEL H
31	46210-27A01	HANDLE, PILLION RIDER	1	
32	46240-27A00	PLATE, RH	1	
33	46250-27A00	PLATE, LH	1	
34	07120-06168	BOLT, PLATE	6	
35	09106-08061	BOLT, HANDLE	4	
36	09250-06008	CAP	4	
37	09180-08125	SPACER	4	
38	95700-27A00	-KEYLOCK ASSY, SEAT/HELMET	1	
39	07120-06205	BOLT	1	
40	45285-27A00	BRACKET, SEAT LOCK	1	
41	02142-06125	SCREW	2	
41	02142-06125	REFER TO FIG.39 (F-15) FOR MO		

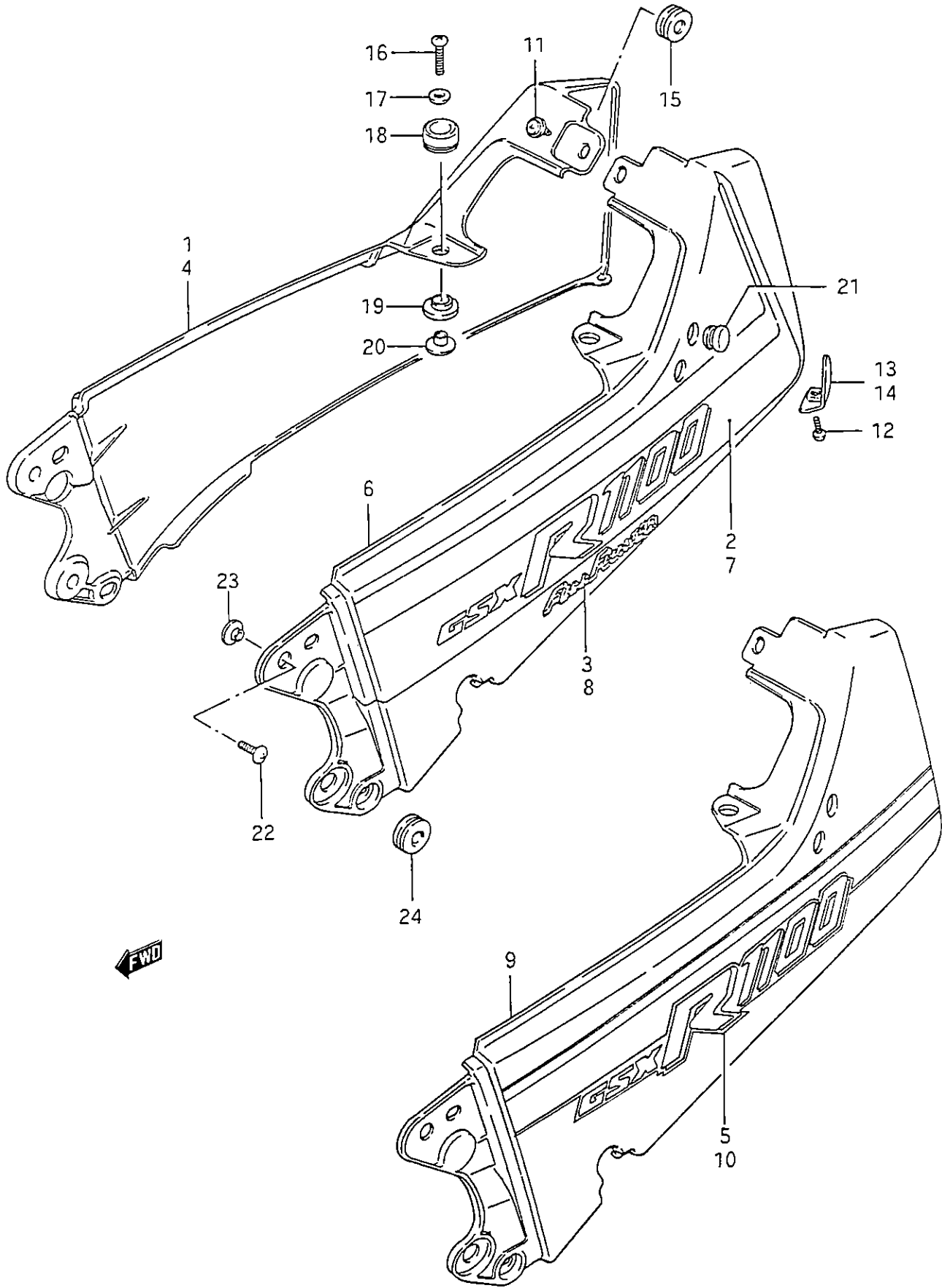
FIG. 39



FWD

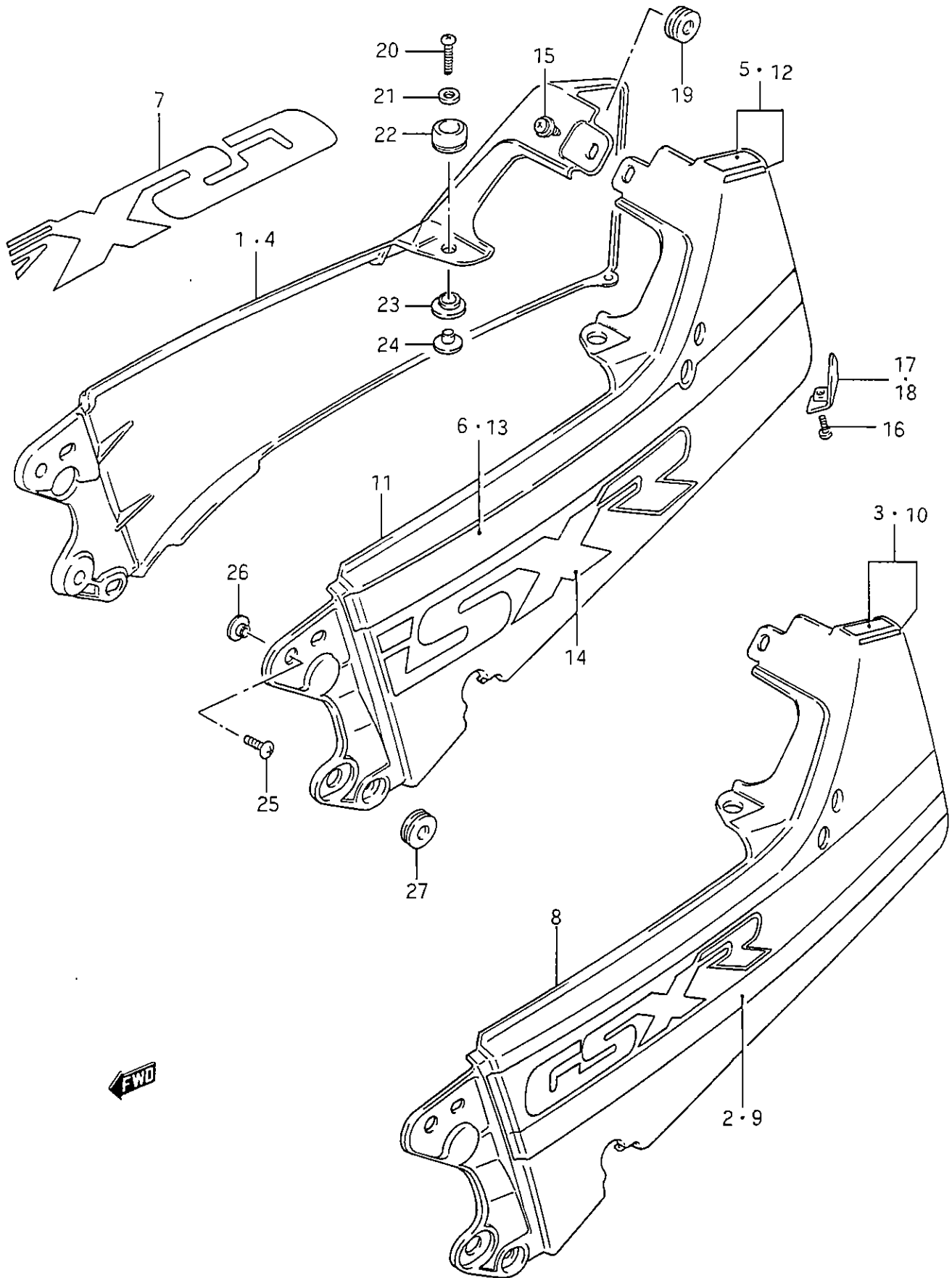
1-1	45100-06B11-4VP	SEAT ASSY (RED)	1	FOR 9HD
1-2	45100-06B11-5DK	SEAT ASSY (BLUE)	1	FOR 9SR
2	45210-06B00	.STRIKER, SEAT LOCK	1	
3	45215-06B00	.CUSHION	2	
4	45216-06B00	.SPACER	2	
5	09160-06020	.WASHER	2	
6	08316-16066	.NUT	2	
7	45213-31300	.CUSHION, BOSS	2	
8	45230-06B00	.BRACKET, SEAT SIDE	2	
9	09321-08009	.CUSHION	2	
10	45255-27A00	.CUSHION	1	
11	45220-13601	BRACKET, SEAT SUPPORT FRONT	1	
12	02112-06305	SCREW	4	
13	08316-26065	NUT	4	
14	45220-06B00	BRACKET, SEAT SUPPORT REAR	1	
15	02122-06255	SCREW	2	
16	08316-26065	NUT	2	
17-1	45550-06870-9HD	BOX SET, SEAT TAIL (BLACK/RED)	1	
17-2	45550-06870-9SR	BOX SET, SEAT TAIL	1	
17-2	45550-06870-9SR	(WHITE/BLUE)		
18-1	46220-27A01-4VP	.BACKREST, SEAT (RED)	1	FOR 9HD
18-2	46220-27A01-5DK	.BACKREST, SEAT (BLUE)	1	FOR 9SR
19-1	68650-06B10-13Z	.TAPE SET, SEAT TAIL BOX	1	FOR 9HD
19-1	68650-06B10-13Z	(BLACK)		
19-2	68650-06B10-22R	.TAPE SET, SEAT TAIL BOX	1	FOR 9SR
19-2	68650-06B10-22R	(WHITE)		
20	02142-06205	.SCREW	2	
21	09160-06039	.WASHER	2	
22	45186-06B00	.BOLT	2	
23	09161-10010	.WASHER	2	
24	09385-06001	.CLIP	2	
25	45581-27A00	.CAP	4	
26	46210-27A01	HANDLE, PILLION RIDER	1	
27	46240-27A00	PLATE, RH	1	
28	46250-27A00	PLATE, LH	1	
29	07120-06168	BOLT, PLATE	6	
30	07120-08605	BOLT, HANDLE	4	
31	09250-06008	CAP	4	
32	09180-08125	SPACER	4	
33	95700-27A00	-KEYLOCK ASSY, SEAT/HELMET	1	
34	07120-06205	BOLT	1	
35	45285-27A00	BRACKET, SEAT LOCK	1	
36	02142-06125	SCREW	2	

FIG. 40



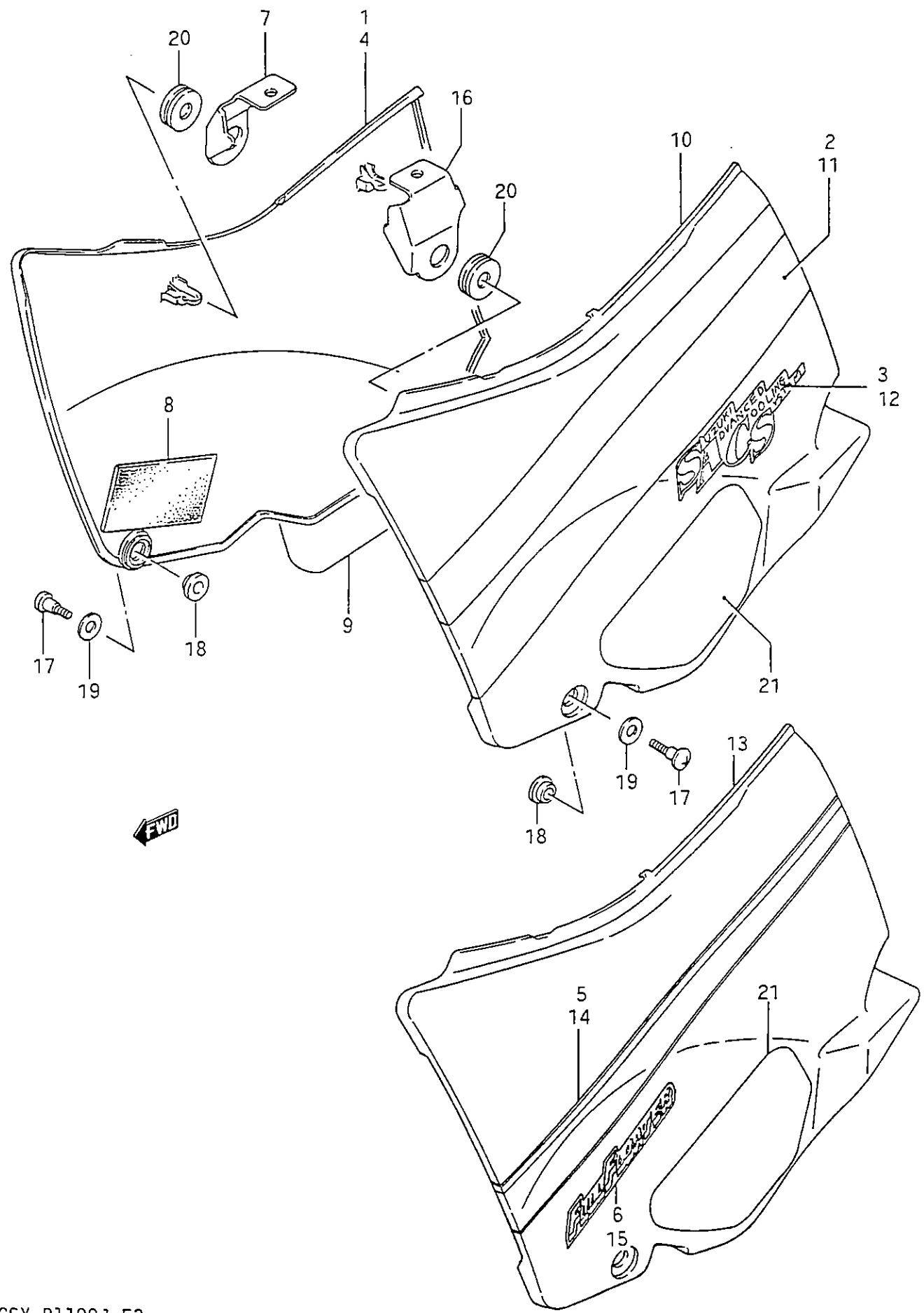
1-1	45510-27A40-8JVCOVER, SEAT TAIL RH	1	MODEL G
1-1	45510-27A40-8JV (WHITE/BLUE)		
1-2	45510-27A40-8JWCOVER, SEAT TAIL RH (RED/BLUE)	1	MODEL G
2-1	68167-06B01-28G.TAPE SET, RH (BLUE)	1	MODEL G FOR 8JV
2-2	68167-06B01-28H.TAPE SET, RH (SILVER)	1	MODEL G FOR 8JW
3	68235-40A10-66P.EMBLEM, FULL FLOATER	1	MODEL G
4-1	45510-06B10-9HDCOVER, SEAT TAIL RH	1	MODEL H
4-1	45510-06B10-9HD (BLACK/RED)		
4-2	45510-06B10-9HJCOVER, SEAT TAIL RH	1	MODEL H
4-2	45510-06B10-9HJ (BLUE/WHITE)		
5-1	68167-27A50-9HU.TAPE SET, RH	1	MODEL H FOR 9HD
5-2	68167-27A50-9HV.TAPE SET, RH	1	MODEL H FOR 9HJ
6-1	45590-27A40-8JVCOVER, SEAT TAIL LH	1	MODEL G
6-1	45590-27A40-8JV (WHITE/BLUE)		
6-2	45590-27A40-8JWCOVER, SEAT TAIL LH (RED/BLUE)	1	MODEL G
7-1	68168-06B01-28G.TAPE SET, LH (BLUE)	1	MODEL G FOR 8JV
7-2	68168-06B01-28H.TAPE SET, LH (SILVER)	1	MODEL G FOR 8JW
8	68235-40A10-66P.EMBLEM, FULL FLOATER	1	MODEL G
9-1	45590-06B10-9HDCOVER, SEAT TAIL LH	1	MODEL H
9-1	45590-06B10-9HD (BLACK/RED)		
9-2	45590-06B10-9HJCOVER, SEAT TAIL LH	1	MODEL H
9-2	45590-06B10-9HJ (BLUE/WHITE)		
10-1	68168-27A50-9HU.TAPE SET, LH	1	MODEL H FOR 9HD
10-2	68168-27A50-9HV.TAPE SET, LH	1	MODEL H FOR 9HJ
11	09409-06307 CLIP	1	
12	02142-05126 SCREW, REAR	2	
13	45530-27A00 PLATE, SEAT TAIL COVER RH	1	
14	45530-27A10 PLATE, SEAT TAIL COVER LH	1	
15	09320-08013 CUSHION, REAR	2	
16	02142-06305 SCREW	2	
17	09160-06069 WASHER	2	
18	45149-04A00 CUSHION, UPPER	2	
19	45326-04A00 CUSHION, LOWER	2	
20	45537-04A00 SPACER	2	
21	45581-27A00 CAP	4	
22	02142-06166 SCREW, FRONT	4	
23	09169-06031 WASHER	4	
24	09320-08018 CUSHION, FRONT	4	
24	09320-08018 REFER TO FIG.41 (G-3) FOR MOD		

FIG. 41



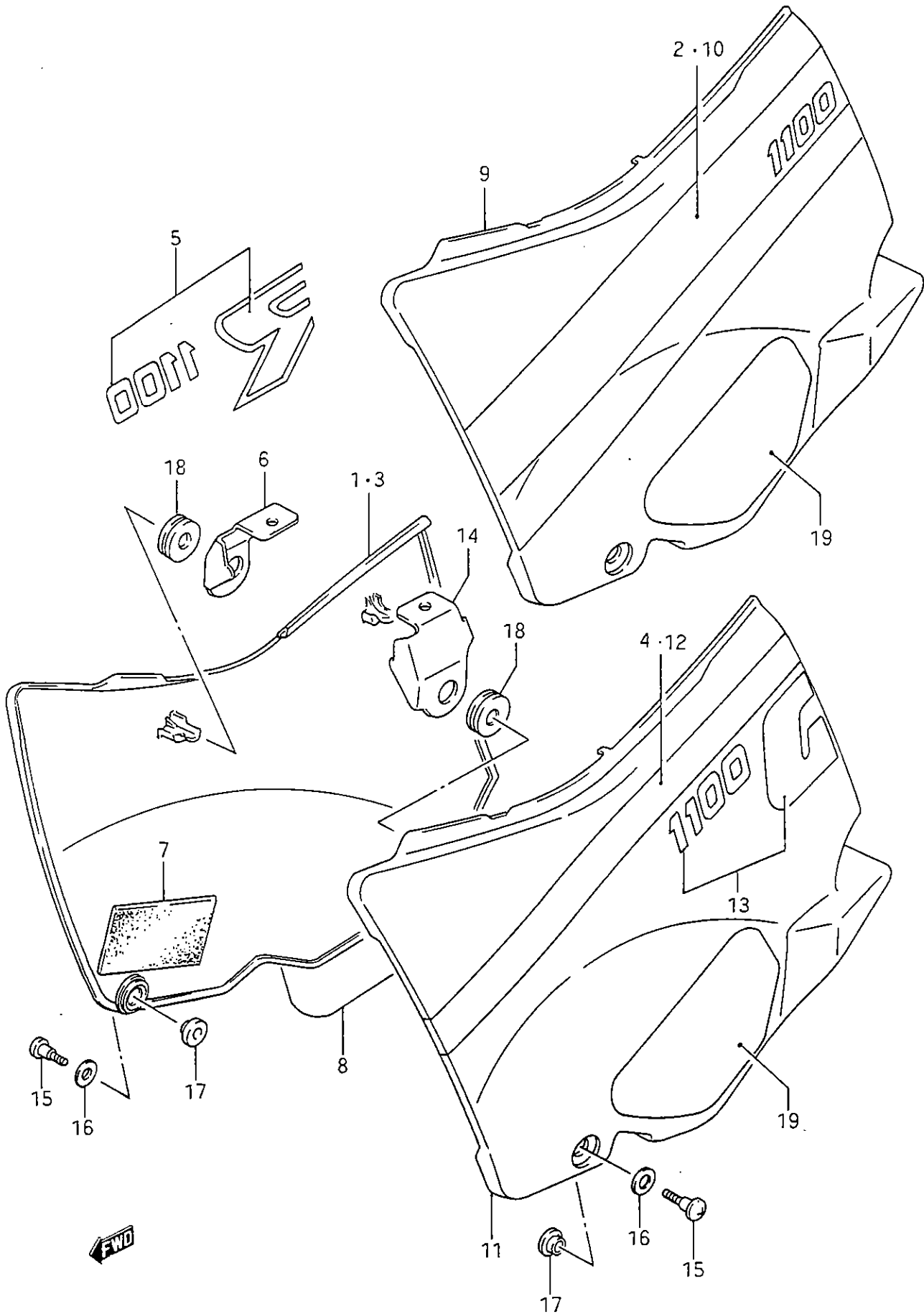
1	45510-06B60-22PCOVER, SEAT TAIL RH (RED)	1	FOR 9HD
2	68165-06B00-2GL.TAPE SET, RH	1	FOR 22P
3	68165-06B10-13Z.TAPE SET, RH (BLACK)	1	FOR 22P
4	45510-06B80-2FFCOVER, SEAT TAIL RH	1	FOR 9SR
4	45510-06B80-2FF (BLUE/BBLUE)		
5	68165-06B10-22R.TAPE SET, RH (WHITE)	1	FOR 2FF
6	68165-06B20-22R.TAPE SET, RH (WHITE)	1	FOR 2FF
7	68161-06B00-22R.EMBLEM (WHITE)	1	FOR 2FF
8	45590-06B60-22PCOVER, SEAT TAIL LH (RED)	1	FOR 9HD
9	68245-06B00-2GL.TAPE SET, LH	1	FOR 22P
10	68245-06B10-13Z.TAPE SET, LH (BLACK)	1	FOR 22P
11	45590-06B80-2FFCOVER, SEAT TAIL LH	1	FOR 9SR
11	45590-06B80-2FF (BLUE/BBLUE)		
12	68245-06B10-22R.TAPE SET, LH (WHITE)	1	FOR 2FF
13	68245-06B20-22R.TAPE SET, LH (WHITE)	1	FOR 2FF
14	68241-06B00-22R.EMBLEM (WHITE)	1	FOR 2FF
15	09409-06307 CLIP	1	
16	02142-05126 SCREW, REAR	2	
17	45530-27A00 PLATE, SEAT TAIL COVER RH	1	
18	45530-27A10 PLATE, SEAT TAIL COVER LH	1	
19	09320-08013 CUSHION, REAR	2	
20	02142-06305 SCREW	2	
21	09160-06069 WASHER	2	
22	45149-04A00 CUSHION, UPPER	2	
23	45326-04A00 CUSHION, LOWER	2	
24	45537-04A00 SPACER	2	
25	02142-06166 SCREW, FRONT	4	
26	09169-06031 WASHER	4	
27	09320-08018 CUSHION, FRONT	4	

FIG. 42



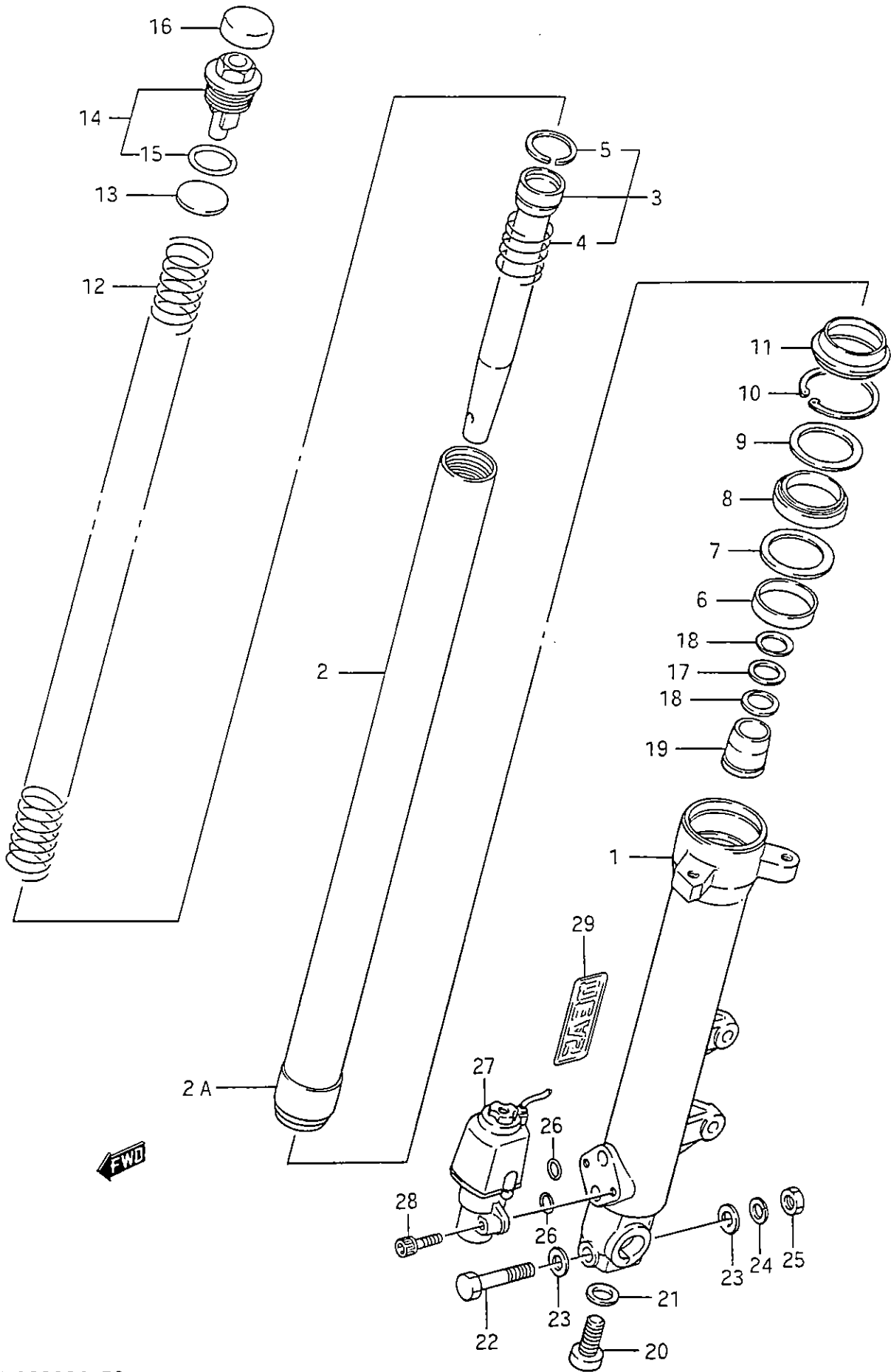
1-1	47110-06B00-8JVCOVER, FRAME RH (WHITE/BLUE)	1	MODEL G
1-2	47110-06B00-8JWCOVER, FRAME RH (RED/BLUE)	1	MODEL G
2-1	68130-06B00-8KA.TAPE SET, FRAME COVER RH	1	MODEL G FOR 8JV
2-2	68130-06B00-8KB.TAPE SET, FRAME COVER RH	1	MODEL G FOR 8JW
3	68131-27A00-7VR.EMBLEM	1	MODEL G
4-1	47110-06B10-9HDCOVER, FRAME RH (BLACK/RED)	1	MODEL H
4-2	47110-06B10-9HJCOVER, FRAME RH (BLUE/WHITE)	1	MODEL H
5-1	68130-27A30-9HU.TAPE SET, FRAME COVER RH	1	MODEL H FOR 9HD
5-2	68130-27A30-9HT.TAPE SET, FRAME COVER RH	1	MODEL H FOR 9HJ
6-1	68235-40A10-60K.EMBLEM, FULL FLOATER	1	MODEL H FOR 9HD
6-2	68235-40A10-95K.EMBLEM, FULL FLOATER	1	MODEL H FOR 9HJ
7-1	47141-06B00 HOLDER, FRAME COVER RH	1	MODEL G
7-2	47141-06B01 HOLDER, FRAME COVER RH	1	MODEL H
8	47161-27A00 RUBBER	1	
9	47261-06B00 PROTECTOR, RH	1	
10-1	47210-06B00-8JVCOVER, FRAME LH (WHITE/BLUE)	1	MODEL G
10-2	47210-06B00-8JWCOVER, FRAME LH (RED/BLUE)	1	MODEL G
11-1	68140-06B00-8KA.TAPE SET, FRAME COVER LH	1	MODEL G FOR 8JV
11-2	68140-06B00-8KB.TAPE SET, FRAME COVER LH	1	MODEL G FOR 8JW
12	68131-27A00-7VR.EMBLEM	1	MODEL G
13-1	47210-06B10-9HDCOVER, FRAME LH (BLACK/RED)	1	MODEL H
13-2	47210-06B10-9HJCOVER, FRAME LH (BLUE/WHITE)	1	MODEL H
14-1	68140-27A30-9HU.TAPE SET, FRAME COVER LH	1	MODEL H FOR 9HD
14-2	68140-27A30-9HT.TAPE SET, FRAME COVER LH	1	MODEL H FOR 9HJ
15-1	68235-40A10-60K.EMBLEM, FULL FLOATER	1	MODEL H FOR 9HD
15-2	68235-40A10-95K.EMBLEM, FULL FLOATER	1	MODEL H FOR 9HJ
16-1	47171-06B00 HOLDER, FRAME COVER LH	1	MODEL G
16-2	47171-06B01 HOLDER, FRAME COVER LH	1	MODEL H
17	09139-06044 SCREW	2	
18	08322-11084 WASHER	2	
19	09320-08043 CUSHION	2	
20	09320-08018 CUSHION	2	
21	47261-27A00 PROTECTOR, LH	1	
21	47261-27A00 REFER TO FIG.43 (G-5) FOR MOD		

FIG. 43



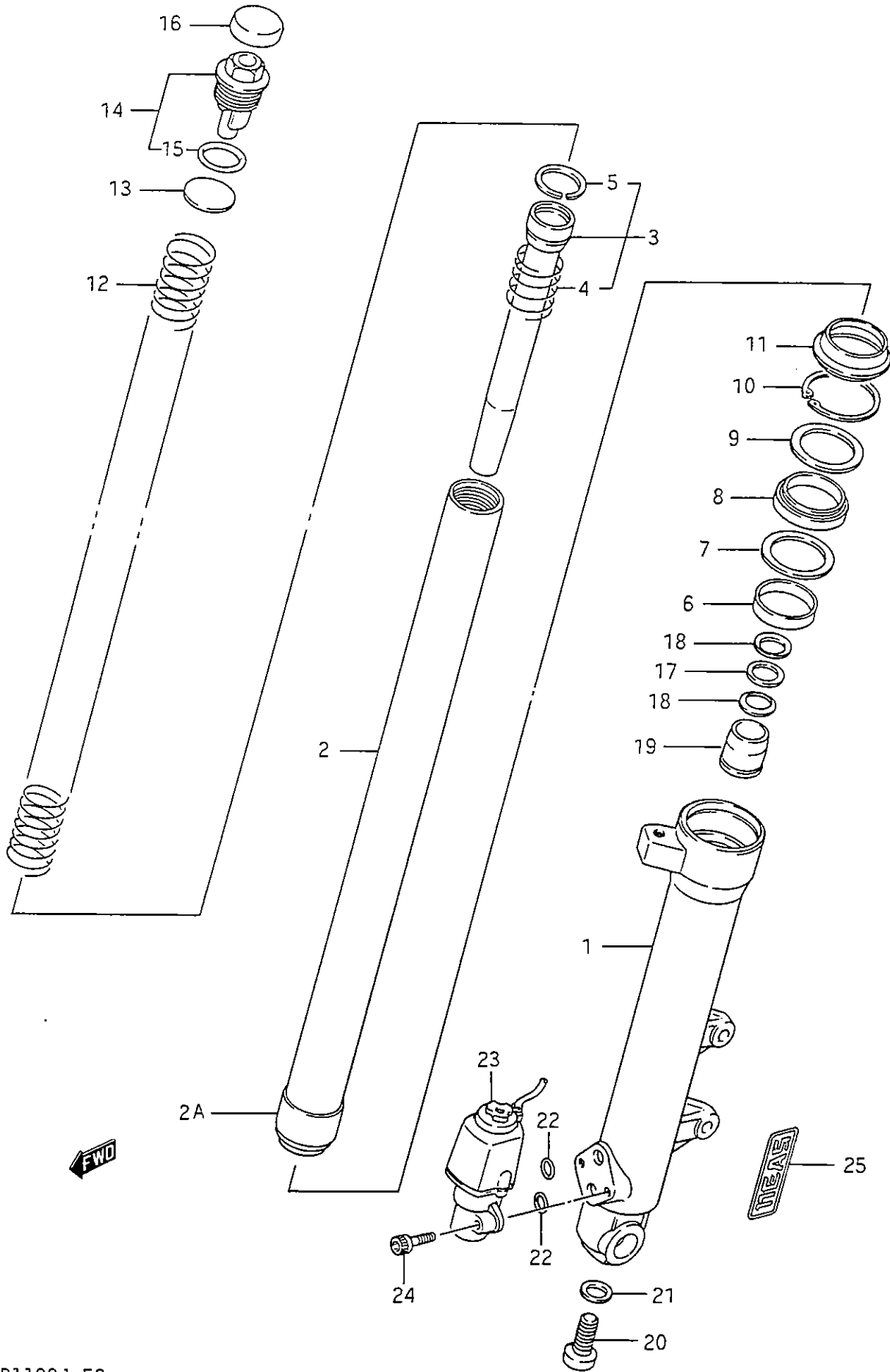
1	47110-06B20-22PCOVER, FRAME RH (RED)	1	FOR 9HD
2	68135-06B00-2GL.TAPE SET, FRAME COVER RH	1	FOR 22P
3	47110-06B30-2FFCOVER, FRAME RH (BLUE/BUE)	1	FOR 9SR
4	68135-06B10-22R.TAPE SET, FRAME COVER RH	1	FOR 2FF
4	68135-06B10-22R (WHITE)		
5	68131-06B00-22R.EMBLEM, RH (WHITE)	1	FOR 2FF
6	47141-06B01 HOLDER, FRAME COVER RH	1	
7	47161-27A00 RUBBER	1	
8	47261-06B00 PROTECTOR, RH	1	
9	47210-06B20-22PCOVER, FRAME LH (RED)	1	FOR 9HD
10	68145-06B00-2GL.TAPE SET, FRAME COVER LH	1	FOR 22P
11	47210-06B30-2FFCOVER, FRAME LH (BLUE/BUE)	1	FOR 9SR
12	68145-06B10-22R.TAPE SET, FRAME COVER LH	1	FOR 2FF
12	68145-06B10-22R (WHITE)		
13	68141-06B00-22R.EMBLEM, LH (WHITE)	1	FOR 2FF
14	47171-06B01 HOLDER, FRAME COVER LH	1	
15	09139-06044 SCREW	2	
16	08322-11084 WASHER	2	
17	09320-08043 CUSHION	2	
18	09320-08018 CUSHION	2	
19	47261-27A00 PROTECTOR, LH	1	

FIG. 44



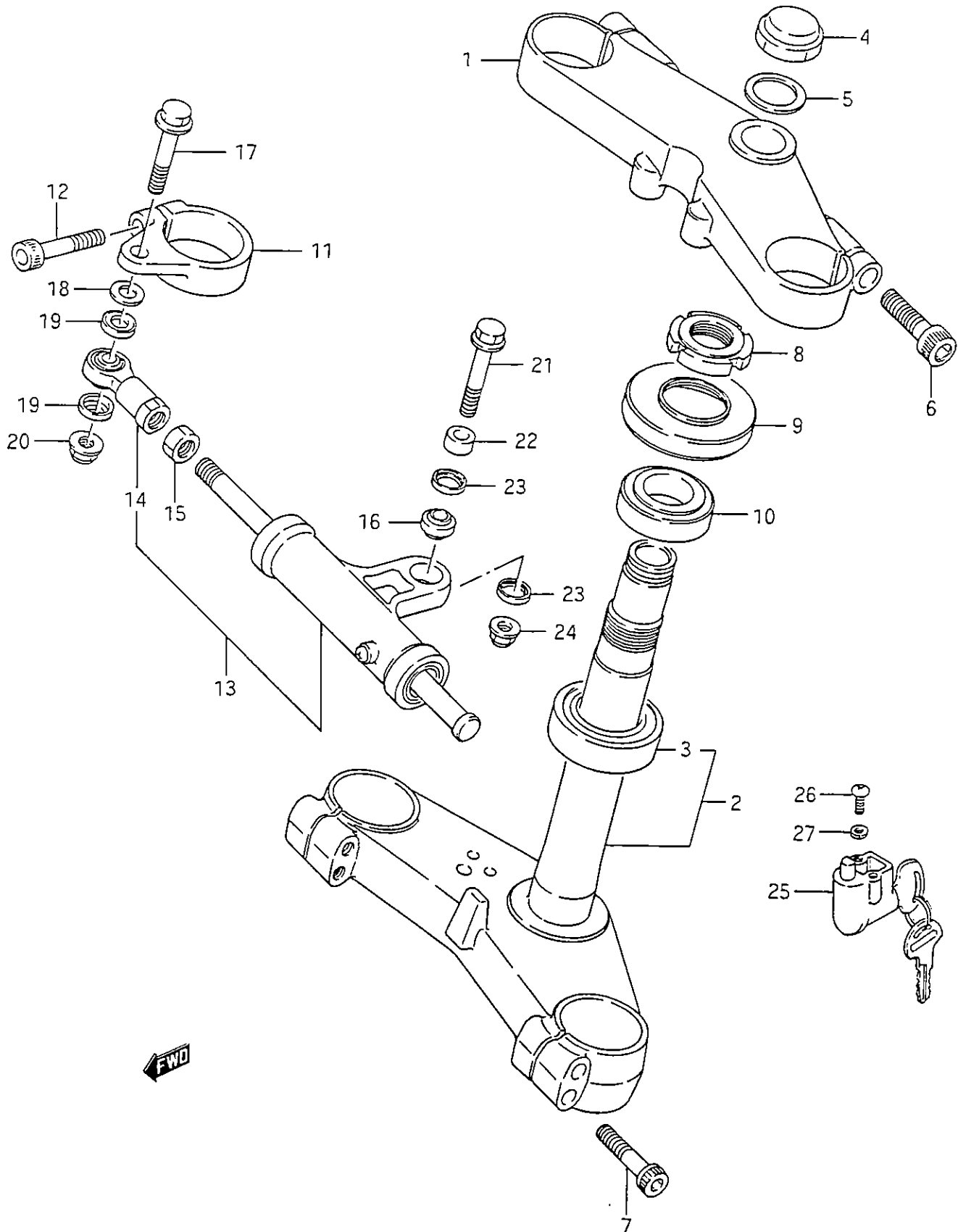
	51103-06B20	DAMPER ASSY, RH	1	MODEL G
	51103-06B50	DAMPER ASSY, RH	1	MODEL H
	51103-06B51	DAMPER ASSY, RH	1	MODEL J
1-1	51130-06B00	.TUBE, OUTER RH	1	MODEL G
1-2	51130-28A10	.TUBE, OUTER RH	1	MODEL H/J
2	51110-06B00	.TUBE, INNER	1	
2A	51121-05A00	.PISTON	1	MODEL J
3	51146-06B00	.CYLINDER	1	
4	51177-06B00	..SPRING, REBOUND	1	
5	51196-24A00	..RING, PISTON	1	
6	51167-05A00	.SLIDE METAL	1	
7	51158-05A00	.WASHER	1	
8	51153-05A00	.OIL SEAL	1	
9	51158-27A00	.WASHER	1	
10	51156-49440	.SNAP RING	1	
11	51173-05A00	.DUST SEAL	1	
12	51171-06B00	.SPRING	1	
13	51192-27A00	.WASHER	1	
14	51351-27A00	.CAP	1	
15	51117-24A00	..O RING	1	
16	51189-00A00	.CAP	1	
17	51123-27A00	.WASHER	1	
18	51125-27A00	.SPRING, LEAF	2	
19	51195-27A00	.PIECE, OIL LOCK	1	
20	51147-14200	.BOLT, CYLINDER	1	
21	51148-14200	.GASKET	1	
22	01107-10608	.BOLT	1	
23	08322-11107	.WASHER	2	
24	08321-31108	.LOCK WASHER	1	
25	08310-12108	.NUT	1	
26	51799-06B00	.O RING	2	
27-1	51770-06B00	.P.D.F ASSY	1	MODEL G
27-2	51770-28A10	.P.D.F ASSY	1	MODEL H/J
28	07110-06257	.BOLT	2	
29	68681-06B00	.EMBLEM, NEAS	1	

FIG. 45



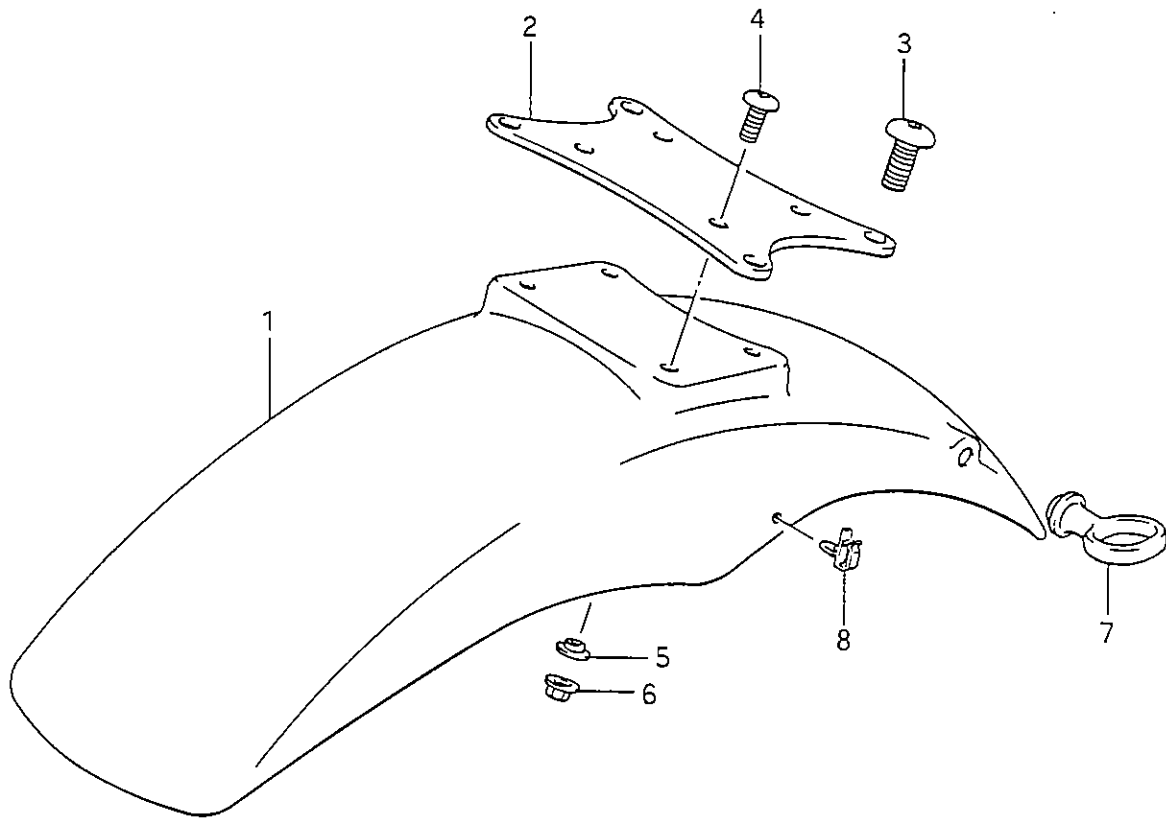
	51104-06B20	DAMPER ASSY, LH	1	MODEL G
	51104-06B50	DAMPER ASSY, LH	1	MODEL H
	51104-06B51	DAMPER ASSY, LH	1	MODEL J
1-1	51140-06B00	.TUBE, OUTER LH	1	MODEL G
1-2	51140-28A10	.TUBE, OUTER LH	1	MODEL H/J
2	51110-06B00	.TUBE, INNER	1	
2A	51121-05A00	.PISTON	1	MODEL J
3	51146-06B00	.CYLINDER	1	
4	51177-06B00	..SPRING, REBOUND	1	
5	51196-24A00	..RING, PISTON	1	
6	51167-05A00	.SLIDE METAL	1	
7	51158-05A00	.WASHER	1	
8	51153-05A00	.OIL SEAL	1	
9	51158-27A00	.WASHER	1	
10	51156-49440	.SNAP RING	1	
11	51173-05A00	.DUST SEAL	1	
12	51171-06B00	.SPRING	1	
13	51192-27A00	.WASHER	1	
14	51351-27A00	.CAP	1	
15	51117-24A00	..O RING	1	
16	51189-00A00	.CAP	1	
17	51123-27A00	.WASHER	1	
18	51125-27A00	.SPRING, LEAF	2	
19	51195-27A00	.PIECE, OIL LOCK	1	
20	51147-14200	.BOLT, CYLINDER	1	
21	51148-14200	.GASKET	1	
22	51799-06B00	.O RING	2	
23-1	51770-06B00	.P.D.F ASSY	1	MODEL G
23-2	51770-28A10	.P.D.F ASSY	1	MODEL H/J
24	07110-06257	.BOLT	2	
25	68681-06B00	.EMBLEM, NEAS	1	

FIG. 46



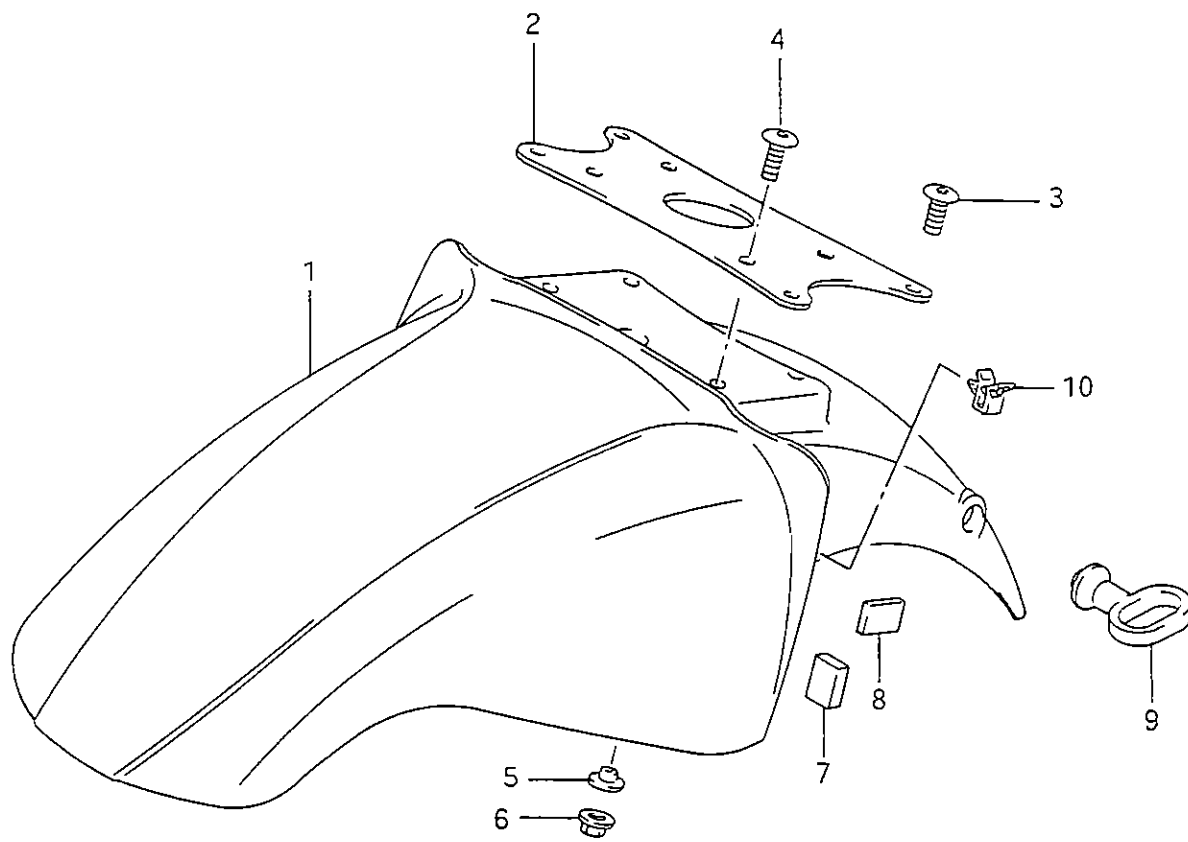
1	51311-06B00-291	HEAD, STEERING STEM (BLACK)	1	
2	51410-06B10	STEM, STEERING	1	
3	09265-30005	.BEARING	1	
4-1	51353-27A00	NUT	1	MODEL G
4-2	51353-27A80	NUT	1	MODEL H/J
5	51356-27A00	WASHER	1	
6	51352-00A00	BOLT, UPPER	2	
7	07110-08408	BOLT, LOWER	4	
8	51631-28000	NUT, STEERING STEM	1	
9	09285-34006	DUST SEAL, STEERING UPPER	1	
10	09265-25008	BEARING	1	
11-1	51756-27A30	BRACKET, STEERING DAMPER	1	MODEL G/H
11-2	51756-27A31	BRACKET, STEERING DAMPER	1	MODEL J
12	07110-08408	BOLT	1	
13-1	51750-27A40	DAMPER ASSY, STEERING	1	MODEL G
13-2	51750-27A50	DAMPER ASSY, STEERING	1	MODEL H/J
14	51754-27A31	.BEARING, ROD END	1	
15	08310-11108	.NUT	1	
16	09269-08002	.BEARING	1	
17	09103-08107	BOLT, OUTER	1	
18	08322-21088	WASHER	1	
19	64339-40410	DUST SEAL, DAMPER	2	
20	08319-31087	NUT	1	
21	09103-08043	BOLT, INNER	1	
22	09180-08132	SPACER, DAMPER	1	
23	64339-40410	DUST SEAL, DAMPER	2	
24	08319-31087	NUT	1	
25	51900-08014	KEYLOCK ASSY, STEERING	1	
26	08321-21057	LOCK WASHER	2	
27	02112-05208	SCREW	2	

FIG. 47



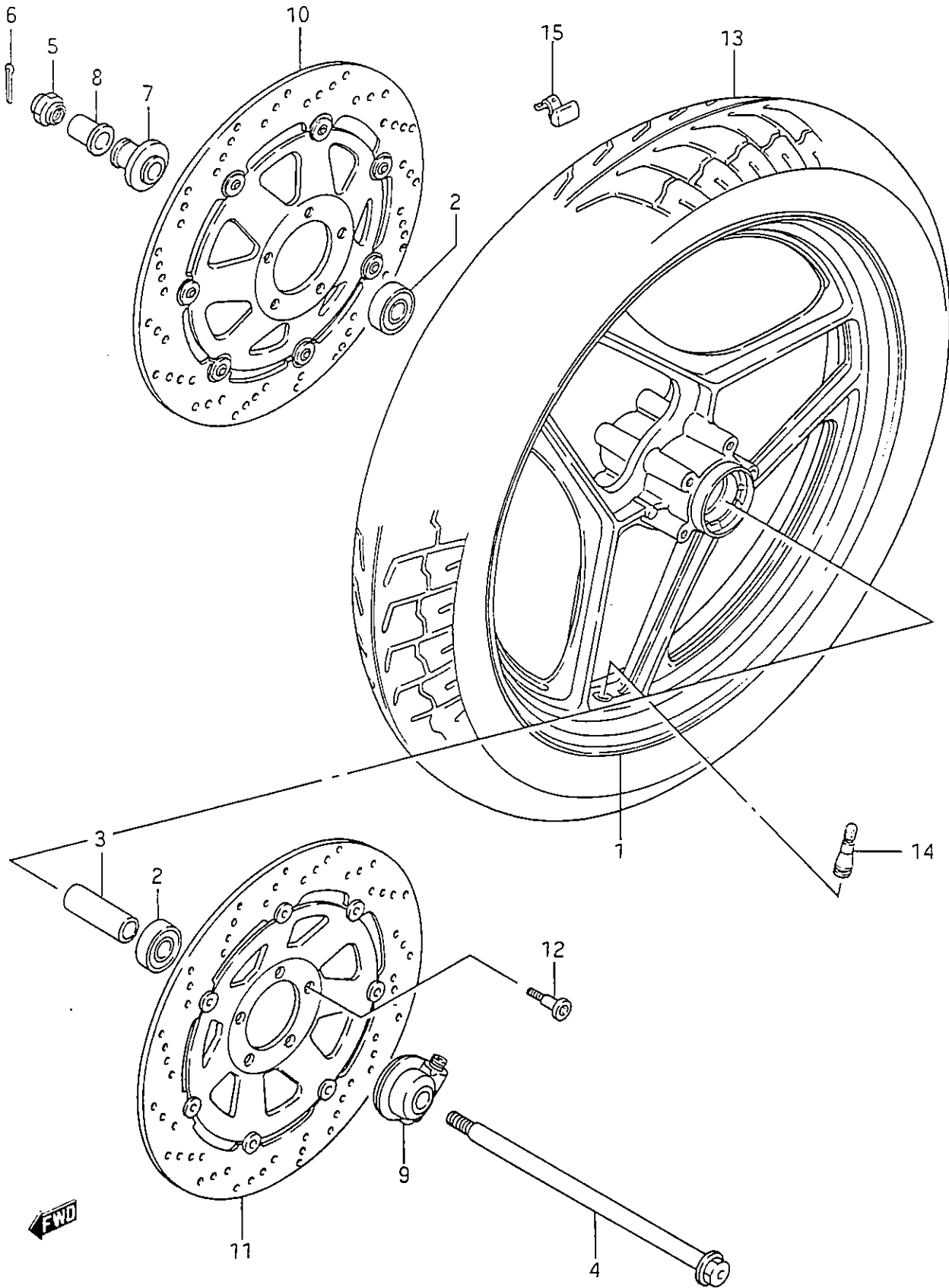
1-1	53111-27A30-22	FENDER, FRONT (RED)	1
1-2	53111-27A30-23	FENDER, FRONT (BLUE)	1
2	53114-06B00	BRACE, FRONT FENDER	1
3	09139-08007	SCREW	4
4	09139-05025	SCREW, FENDER & BRACE	4
5	09169-05008	WASHER	4
6	08319-31056	NUT	4
7	58621-21203	GUIDE, CABLE	1
8	09403-05305	CLIP	2
8	09403-05305	REFER TO FIG.48 (G-10) FOR MO	

FIG. 48



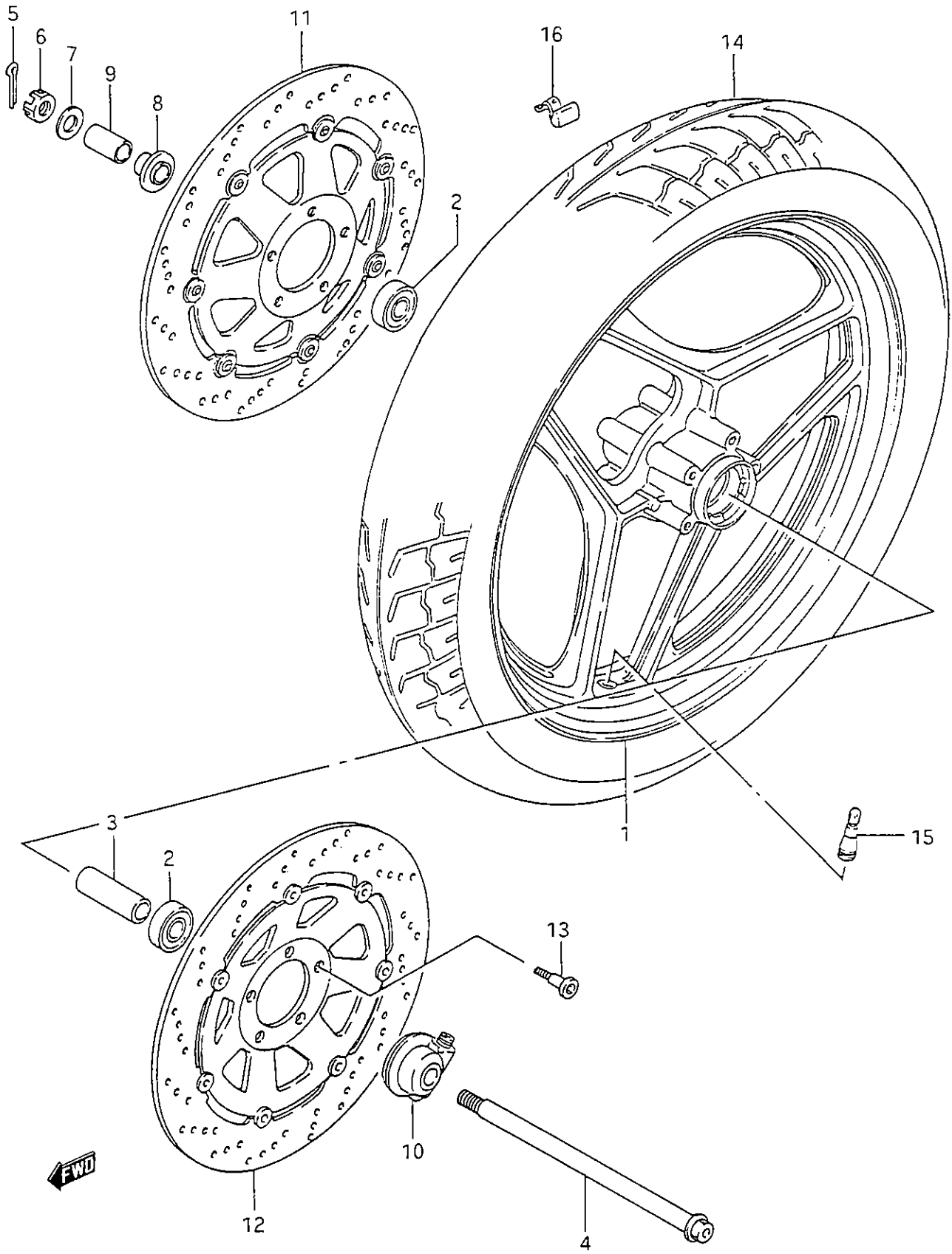
1-1	53111-28A21-22PFENDER, FRONT (RED)	1	MODEL H
1-2	53111-28A21-22RFENDER, FRONT (WHITE)	1	MODEL H
1-3	53111-28A21-22PFENDER, FRONT (RED)	1	MODEL J, FOR 9HD
1-4	53111-28A21-33NFENDER, FRONT (BLUE)	1	MODEL J, FOR 9SR
2	53114-06B00 BRACE, FRONT FENDER	1	
3	09139-08007 SCREW	4	
4	09139-05025 SCREW, FENDER & BRACE	4	
5	09169-05008 WASHER	4	
6	08319-31056 NUT	4	
7	53145-28A00 CUSHION, FENDER FRONT	2	
8	53431-28A10 CUSHION, FENDER SIDE	2	
9	58621-21203 GUIDE, CABLE	1	
10	09403-05305 CLIP	2	

FIG. 49



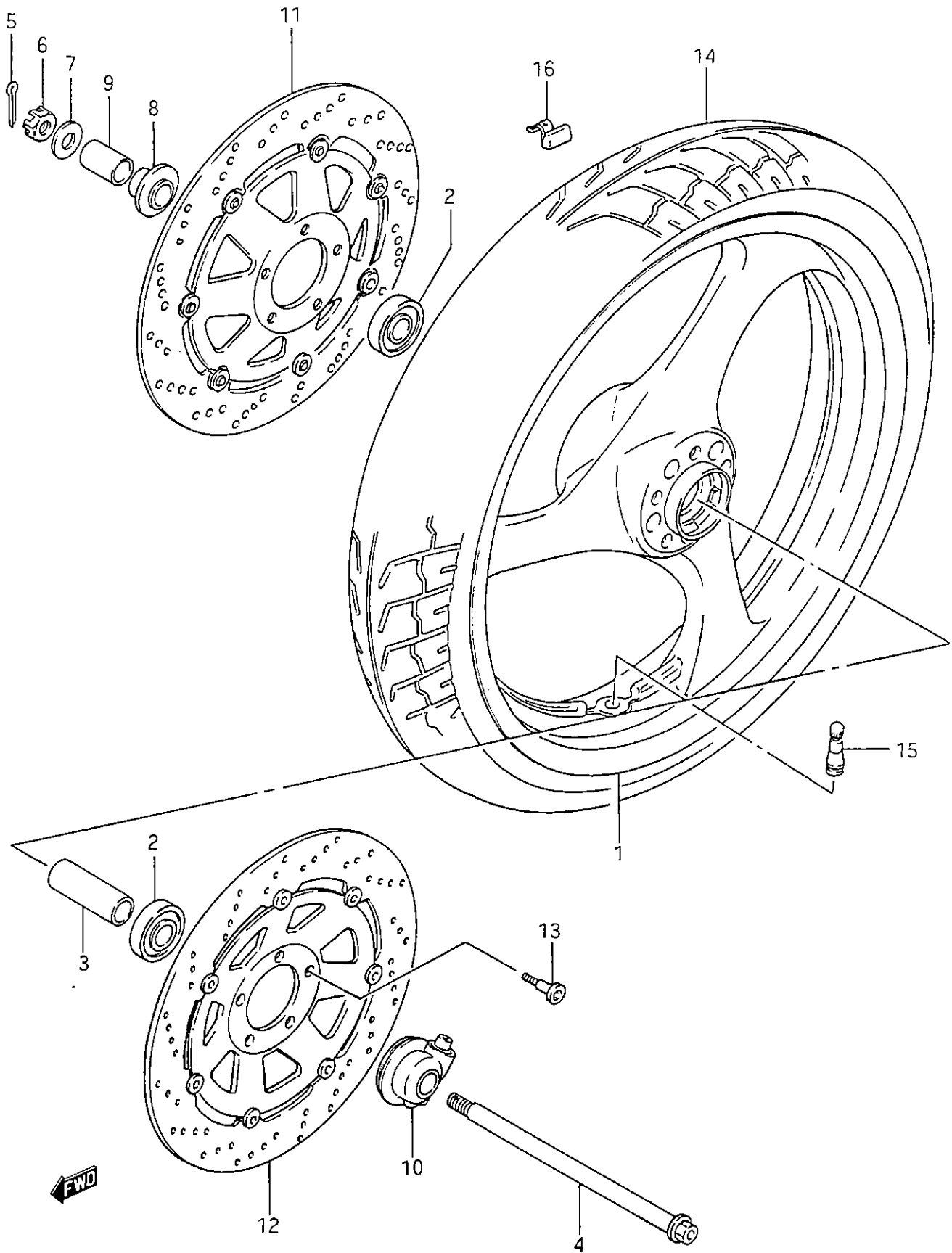
1	54111-06B00-291	WHEEL, FRONT (2.75X18) BLACK	1	
2	08123-63027	BEARING	2	
3	09180-15069	SPACER	1	
4	54711-27A00	AXLE, FRONT	1	
5	09159-12018	NUT	1	
6	04111-30308	COTTER PIN	1	
7	54740-27A01	SPACER, BEARING RH	1	
8	54741-49101	SPACER, AXLE	1	
9	54600-27A01	BOX, SPEEDOMETER GEAR	1	
10	59210-06B00	DISC, FRONT BRAKE RH	1	
11	59220-06B00	DISC, FRONT BRAKE LH	1	
12	09106-08062	BOLT	10	
13	55100-06B21	TIRE, T/L FRONT (110/70V-18)	1	DUNLOP
14	43130-75150	VALVE	1	
15-1	55411-00A00-291	BALANCER (10G) BLACK	0%3	
15-2	55412-00A00-291	BALANCER (20G) BLACK	0%3	
15-3	55413-00A00-291	BALANCER (30G) BLACK	0%3	
15-3	55413-00A00-291	REFER TO FIG.50 (G-12) FOR MO		
15-3	55413-00A00-291	REFER TO FIG.51 (G-13) FOR MO		

FIG. 50



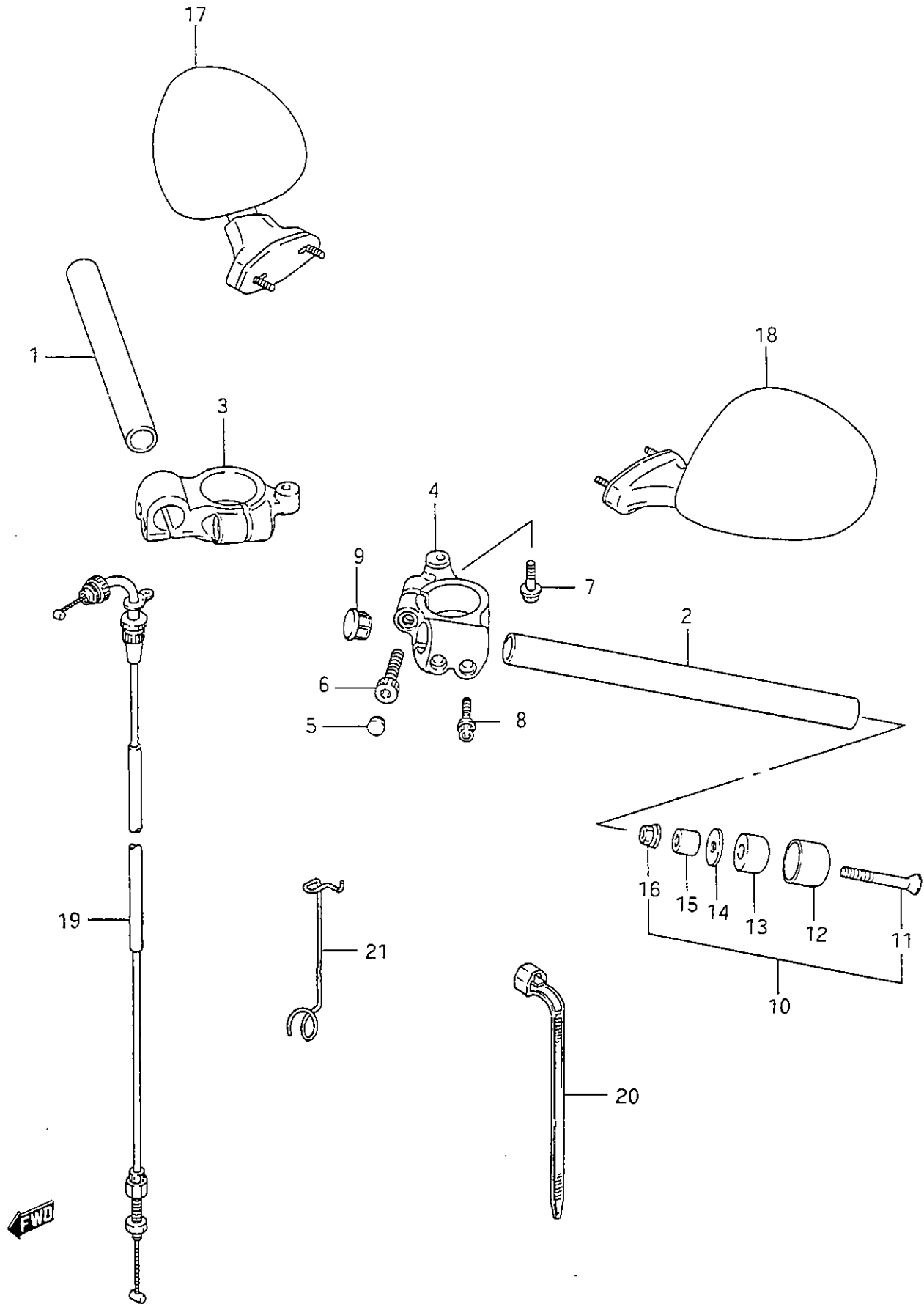
1	54111-06B00-291	WHEEL, FRONT (2.75X18) BLACK	1	
2	09262-17034	BEARING	2	
3	09180-17089	SPACER	1	
4	54711-27A20	AXLE, FRONT	1	
5	04111-40308	COTTER PIN	1	
6	09141-16005	NUT	1	
7	08322-11168	WASHER	1	
8	54740-27A10	SPACER, BEARING RH	1	
9	54741-27A20	SPACER, AXLE (17X22X42)	1	
10	54600-27A10	BOX, SPEEDOMETER GEAR	1	
11	59210-06B00	DISC, FRONT BRAKE RH	1	
12	59220-06B00	DISC, FRONT BRAKE LH	1	
13	09106-08062	BOLT	10	
14	55100-06B21	TIRE, T/L FRONT (110/70V-18)	1	DUNLOP
15	43130-75150	VALVE	1	
16-1	55411-00A00	BALANCER (10G) BLACK	0%3	
16-2	55412-00A00	BALANCER (20G) BLACK	0%3	
16-3	55413-00A00	BALANCER (30G) BLACK	0%3	
16-3	55413-00A00	REFER TO FIG.51 (G-13) FOR MO		

FIG. 51



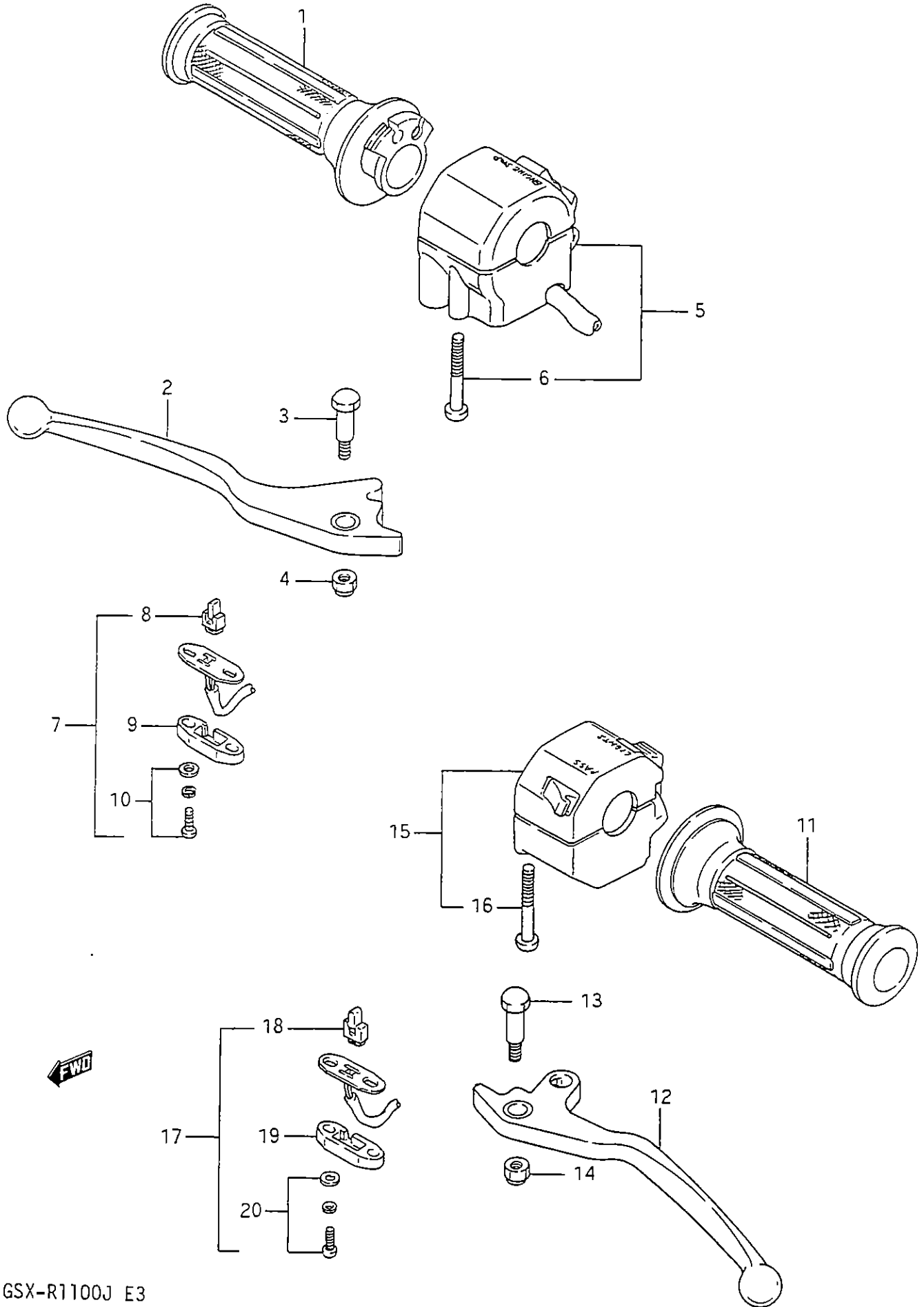
1	54111-06B10-28	WHEEL, FRONT (2.75X18) WHITE	1	
2	08123-63037	BEARING	2	
3	09180-17093	SPACER	1	
4	54711-27A20	AXLE, FRONT	1	
5	04111-40308	COTTER PIN	1	
6	09141-16005	NUT	1	
7	08322-11168	WASHER	1	
8	54740-06B00	SPACER, BEARING RH	1	
9	54741-27A20	SPACER, AXLE (17X22X42)	1	
10	54600-06B10	BOX, SPEEDOMETER GEAR	1	
11	59210-06B01	DISC, FRONT BRAKE RH	1	
12	59220-06B01	DISC, FRONT BRAKE LH	1	
13	09106-08062	BOLT	10	
14	55100-06B21	TIRE, T/L FRONT (110/70V-18)	1	DUNLOP
15	43130-75150	VALVE	1	
16-1	55411-00A00	BALANCER (10G) BLACK	0%3	
16-2	55412-00A00	BALANCER (20G) BLACK	0%3	
16-3	55413-00A00	BALANCER (30G) BLACK	0%3	

FIG. 52



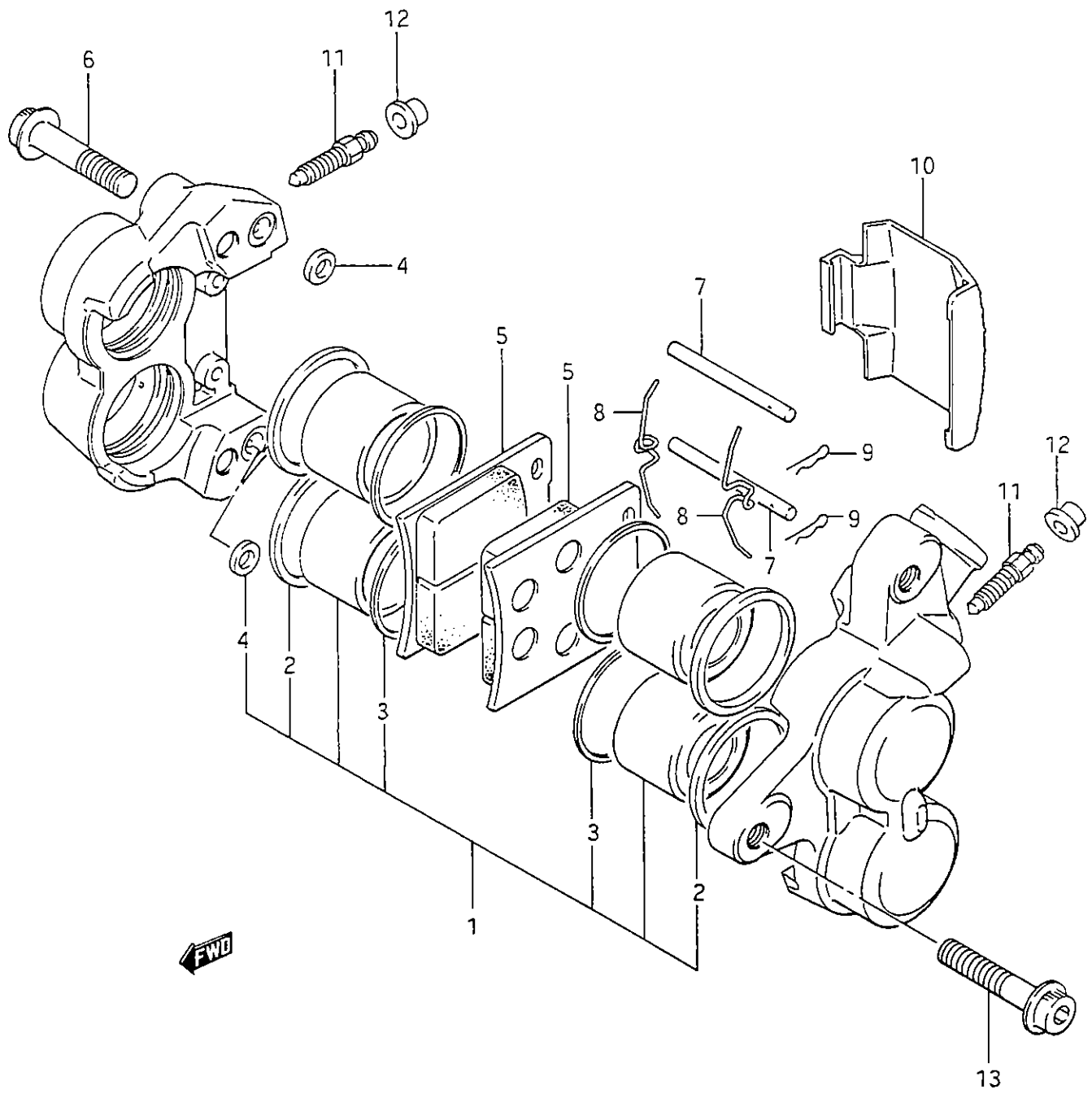
1	56110-06B00	HANDLEBAR, RH	1	
2	56150-06B00	HANDLEBAR, LH	1	
3	56211-06B11	HOLDER, RH	1	
4	56221-06B11	HOLDER, LH	1	
5	09250-06008	CAP, HANDLE HOLDER	2	
6	07110-08355	BOLT, HANDLE HOLDER	2	
7	01517-06164	BOLT, HANDLE HOLDER SET	2	
8	07120-06355	BOLT, HANDLEBAR	4	
9	57215-33400	CAP, HANDLEBAR	2	
10-1	56200-27822	BALANCER SET	2	MODEL G
10-2	56200-27830	BALANCER SET	2	MODEL H/J
11-1	02132-06655	.SCREW	2	MODEL G
11-2	02132-06755	.SCREW	2	MODEL H/J
12	56274-05350	.CAP	2	
13	56271-49400	.BALANCER	2	
14	56275-34400	.SPACER	2	
15-1	56272-44500	.EXPANDER	2	MODEL G
15-2	56272-06B00	.EXPANDER	2	MODEL H/J
16	09159-06024	.NUT	2	
17	56500-27A30	MIRROR, REAR VIEW RH	1	
18	56600-27A30	MIRROR, REAR VIEW LH	1	
19	58300-06B00	CABLE, THROTTLE	1	
20	09407-18402	CLAMP	1	
21	58874-18B00	GUIDE, CABLE	1	

FIG. 53



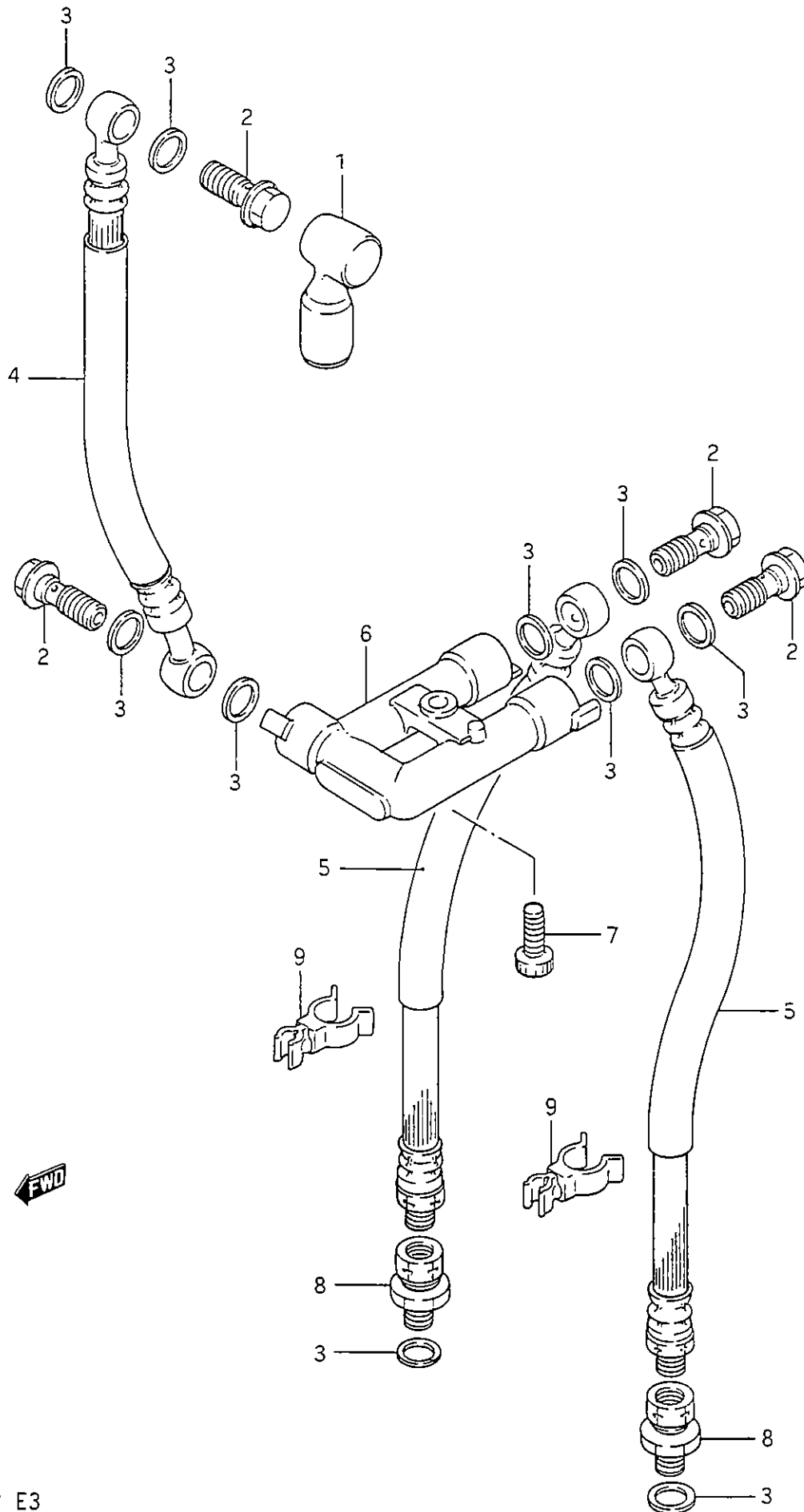
1	57110-49500	GRIP, THROTTLE	1	
2	57420-05A10	LEVER, BRAKE	1	
3	57431-05A00	BOLT	1	
4	08319-21065	NUT	1	
5-1	37200-06B20	SWITCH ASSY, HANDLE RH	1	MODEL G
5-2	37200-47B30	SWITCH ASSY, HANDLE RH	1	MODEL H/J
6	02112-05455	.SCREW	2	
7	57460-33700	SWITCH ASSY, STOP	1	
8	57465-18601	.HOLDER	1	
9	57481-33010	.COVER	1	
10	09125-03105	.SCREW	2	
11	57211-49500	GRIP, LH	1	
12	57620-08A00	LEVER, CLUTCH	1	
13	57431-05A00	BOLT	1	
14	08319-21065	NUT	1	
15	37400-06B10	SWITCH ASSY, HANDLE LH	1	
16	02112-05405	.SCREW	2	
17	57560-08A00	SWITCH ASSY, CLUTCH	1	
18	57465-18601	.HOLDER	1	
19	57481-33010	.COVER	1	
20	09125-03105	.SCREW	2	

FIG. 54



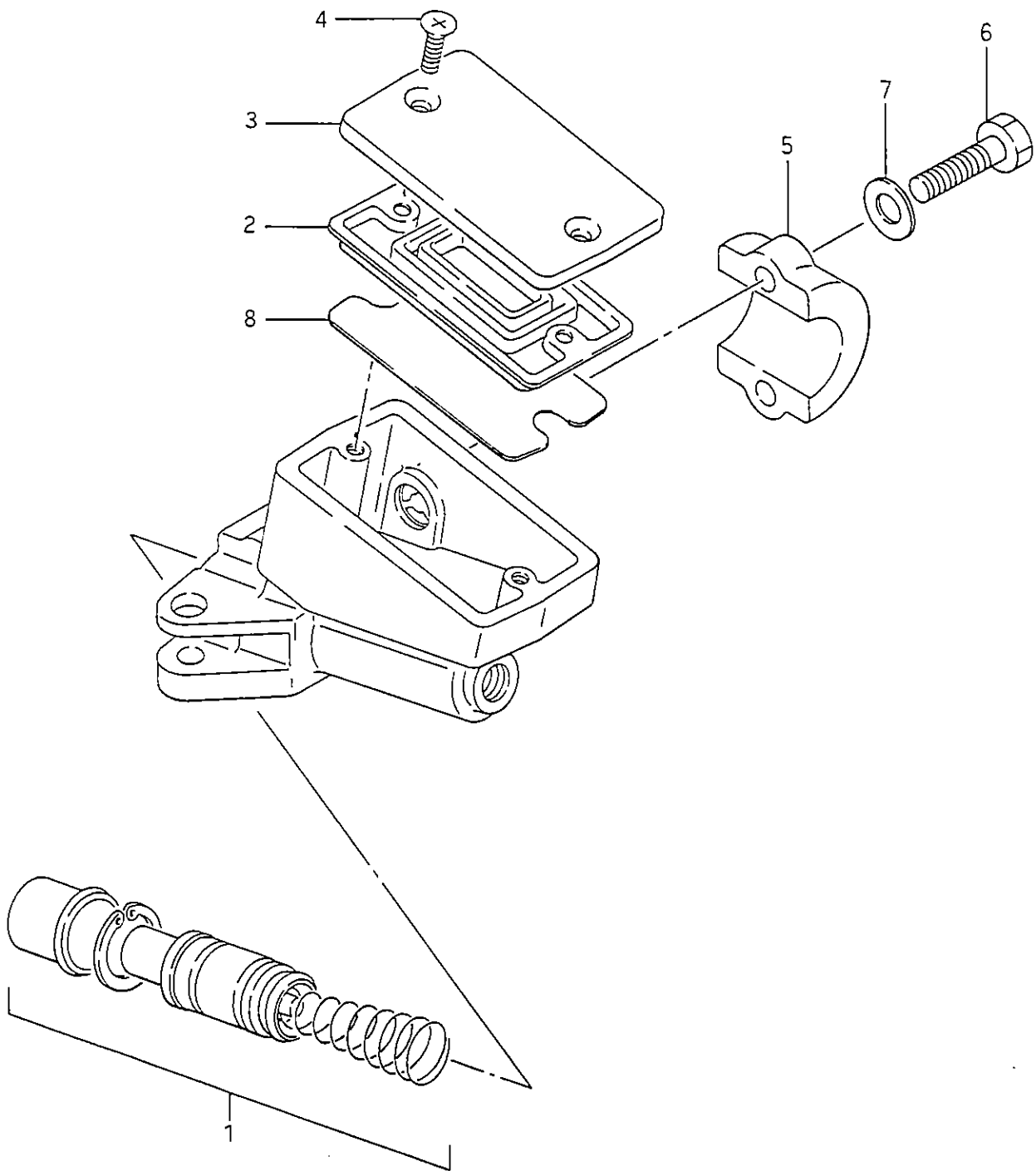
	59100-06B10	CALIPERS ASSY, RH	1
	59300-06B10	CALIPERS ASSY, LH	1
1	59300-27820	.PISTON SET	2
2	59107-27A10	..SEAL, PISTON	8
3	59108-27A10	..SEAL, WIPER	8
4	69107-34200	..SEAL	4
5	59130-06B10	.PAD	4
6	59145-16700	.BOLT	4
7	69141-45000	.PIN	4
8	59143-16700	.SPRING	4
9	69142-45000	.CLIP	4
10	59151-04A01	.COVER	2
11	59121-18410	.BLEEDER	4
12	59122-18410	.CAP	4
13	07120-08358	BOLT	4

FIG. 55



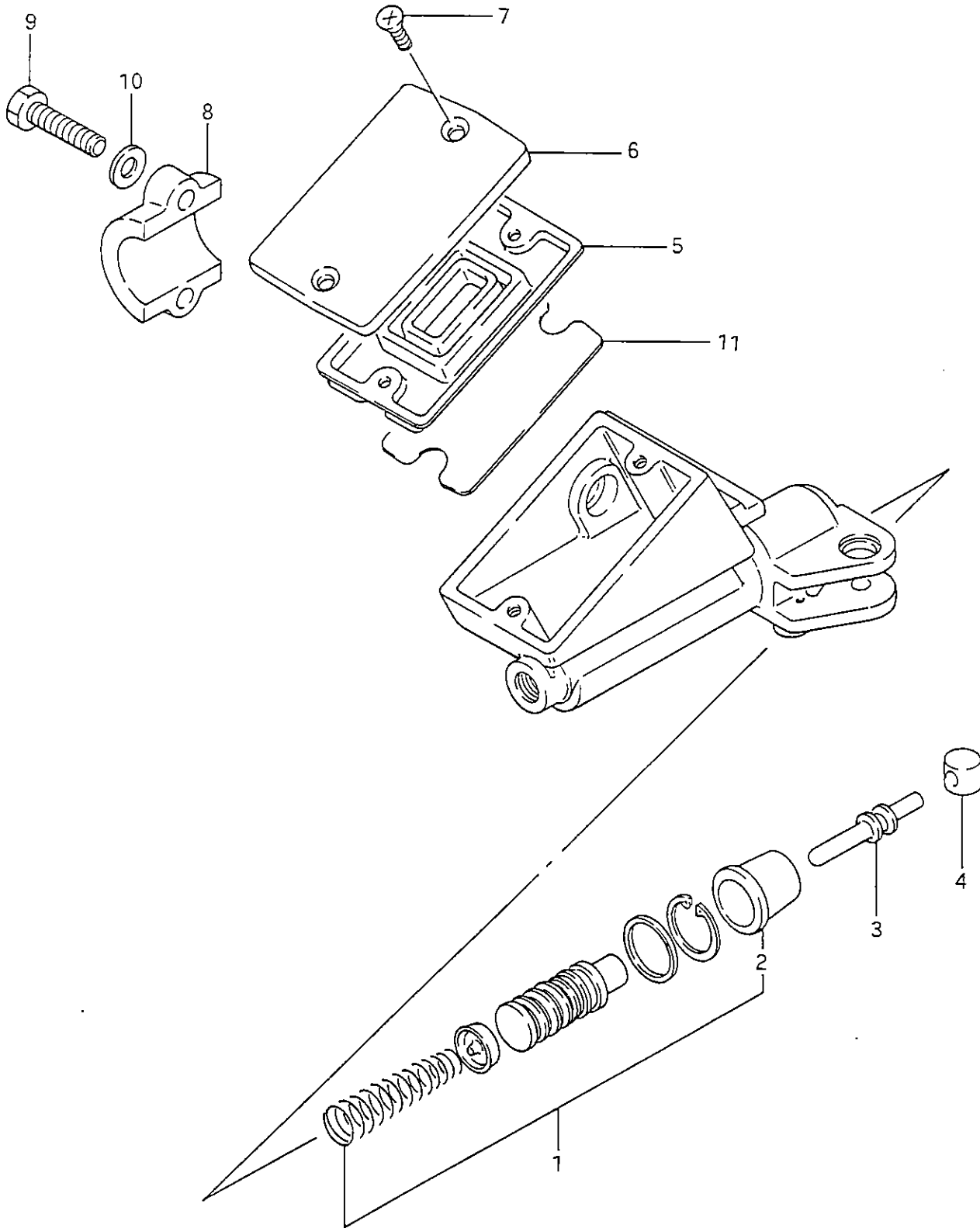
1	59711-04700	BOOT, MASTER CYLINDER	1
2	09360-10017	BOLT	4
3	09161-10009	WASHER	10
4	59480-06B00	HOSE, FRONT BRAKE NO.1	1
5	59240-06B00	HOSE, FRONT BRAKE NO.2	2
6	59491-27A00	JOINT, BRAKE HOSE	1
7	07110-06165	BOLT	1
8	59290-43500	ADAPTOR, BRAKE HOSE	2
9	09408-00091	CLAMP	4

FIG. 56



	59600-08A30	CYLINDER ASSY, FRONT MASTER	1
1	59600-45860	.PISTON & CUP SET	1
2	59667-49460	.DIAPHRAGM	1
3	59669-04A10	.CAP	1
4	69689-49300	.SCREW	2
5	59671-16700	.HOLDER	1
6	01107-06255	.BOLT	2
7	08322-21064	.WASHER	2
8	59664-05C00	.FLOAT	1

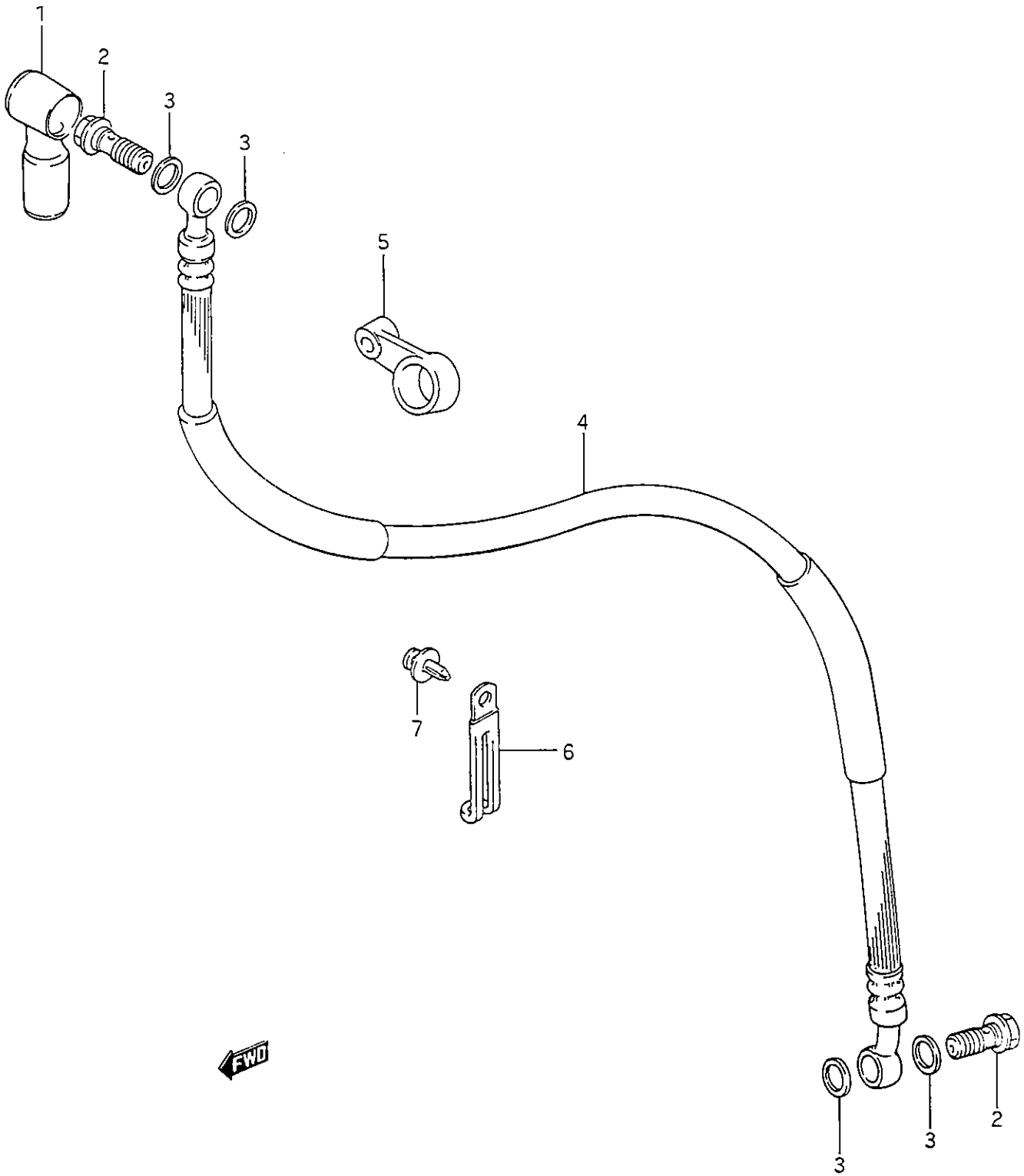
FIG. 57



FWD

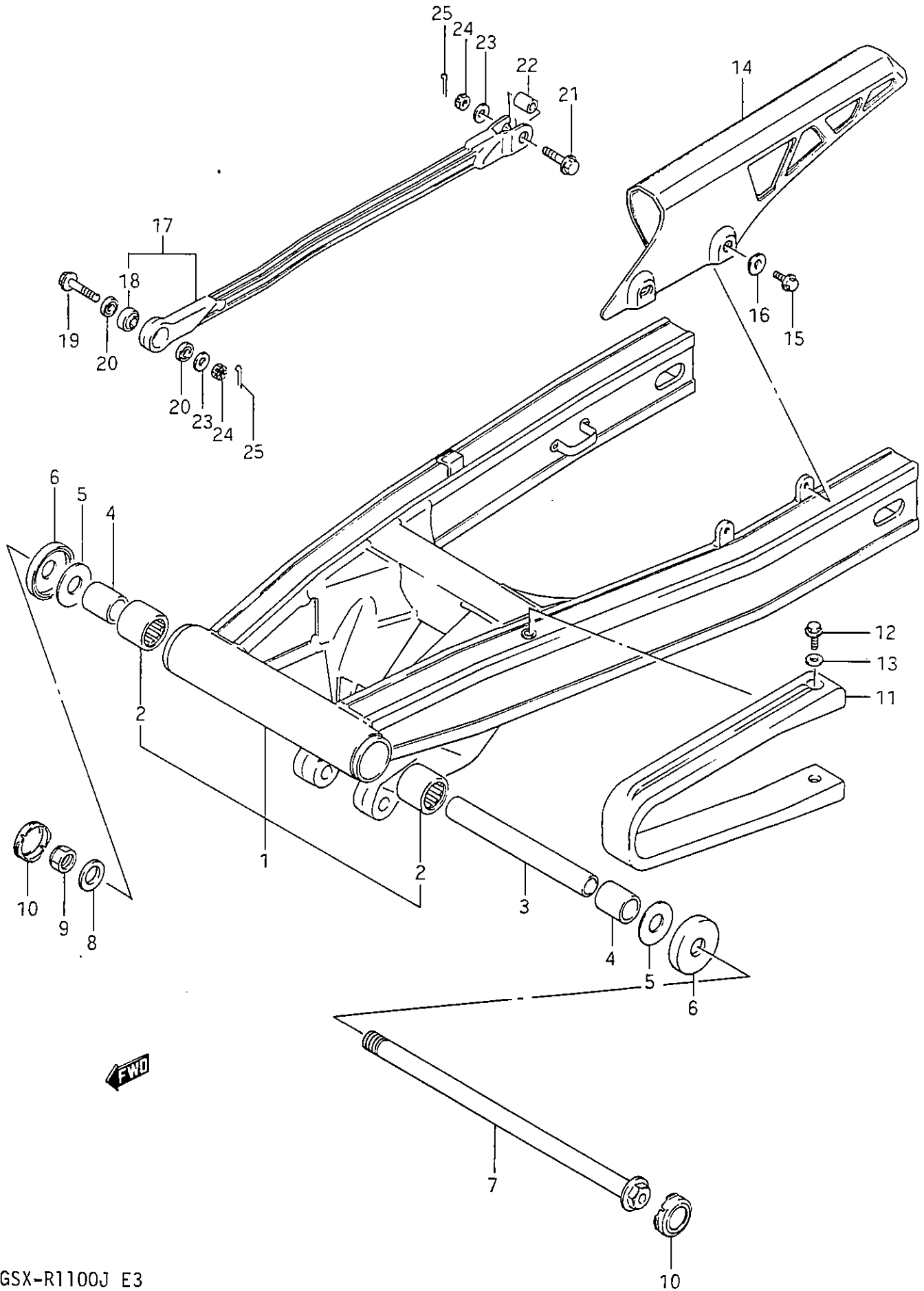
	59800-27A40	CYLINDER ASSY, CLUTCH MASTER	1	FROM 59800-27A20
1	59800-08810	.PISTON & CUP SET	1	
2	59666-44300	. .BOOT	1	
3	59871-08A00	.PUSH ROD	1	
4	59892-08A00	.BUSH	1	
5	59667-49460	.DIAPHRAGM	1	
6	59669-04A10	.CAP	1	
7	69689-49300	.SCREW	2	
8	59671-16700	.HOLDER	1	
9	01107-06255	.BOLT	2	
10	08322-21064	.WASHER	2	
11	59664-05C00	.FLOAT	1	

FIG. 58



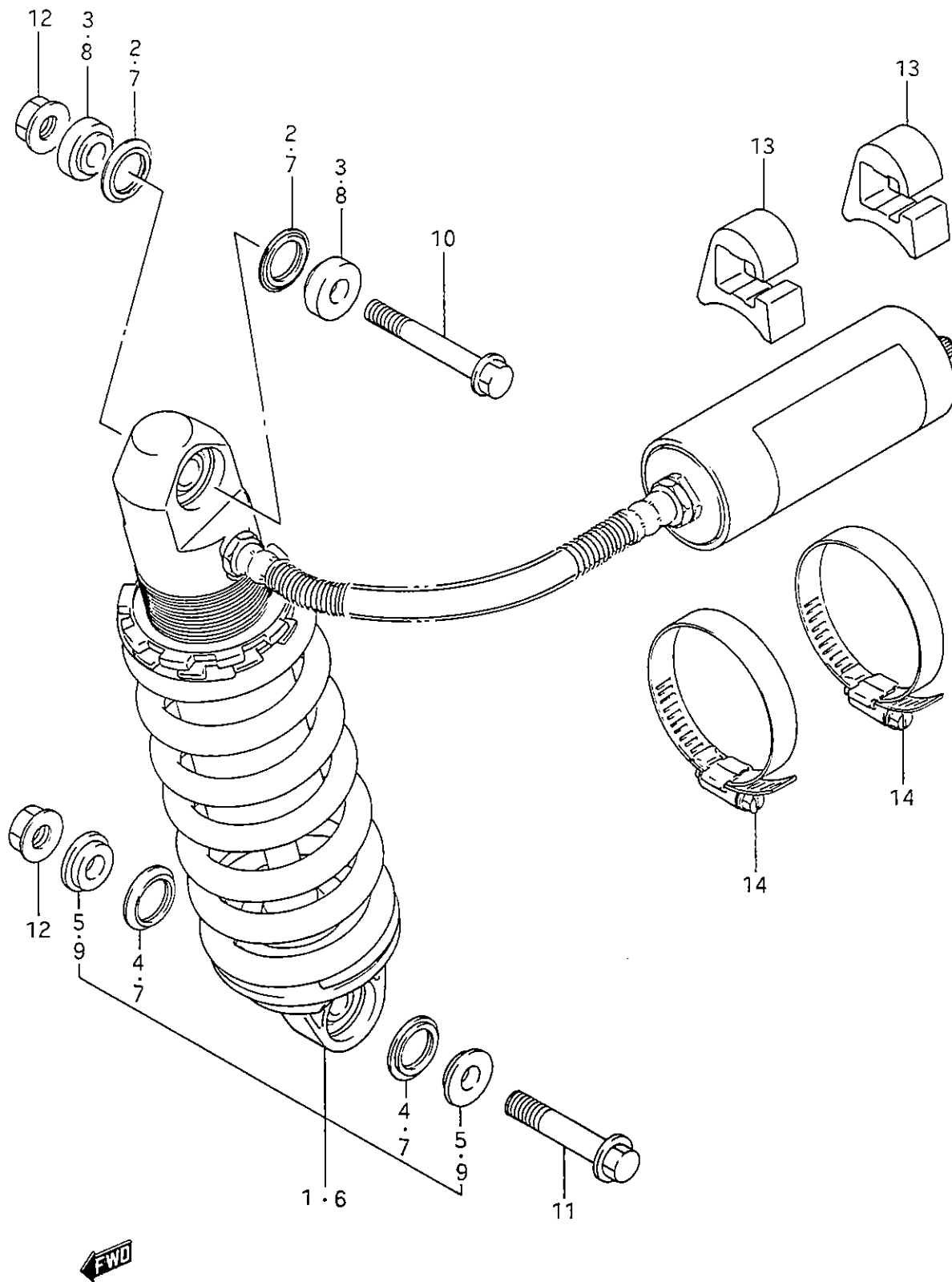
1	59711-04700	BOOT, CLUTCH MASTER	1
2	09360-10017	BOLT	2
3	09161-10009	WASHER	4
4	59910-27A03	HOSE, CLUTCH	1
5	59915-27A10	CLAMP, CLUTCH HOSE	1
6	09404-06415	CLAMP	1
7	09409-07305	CLIP	1

FIG. 59



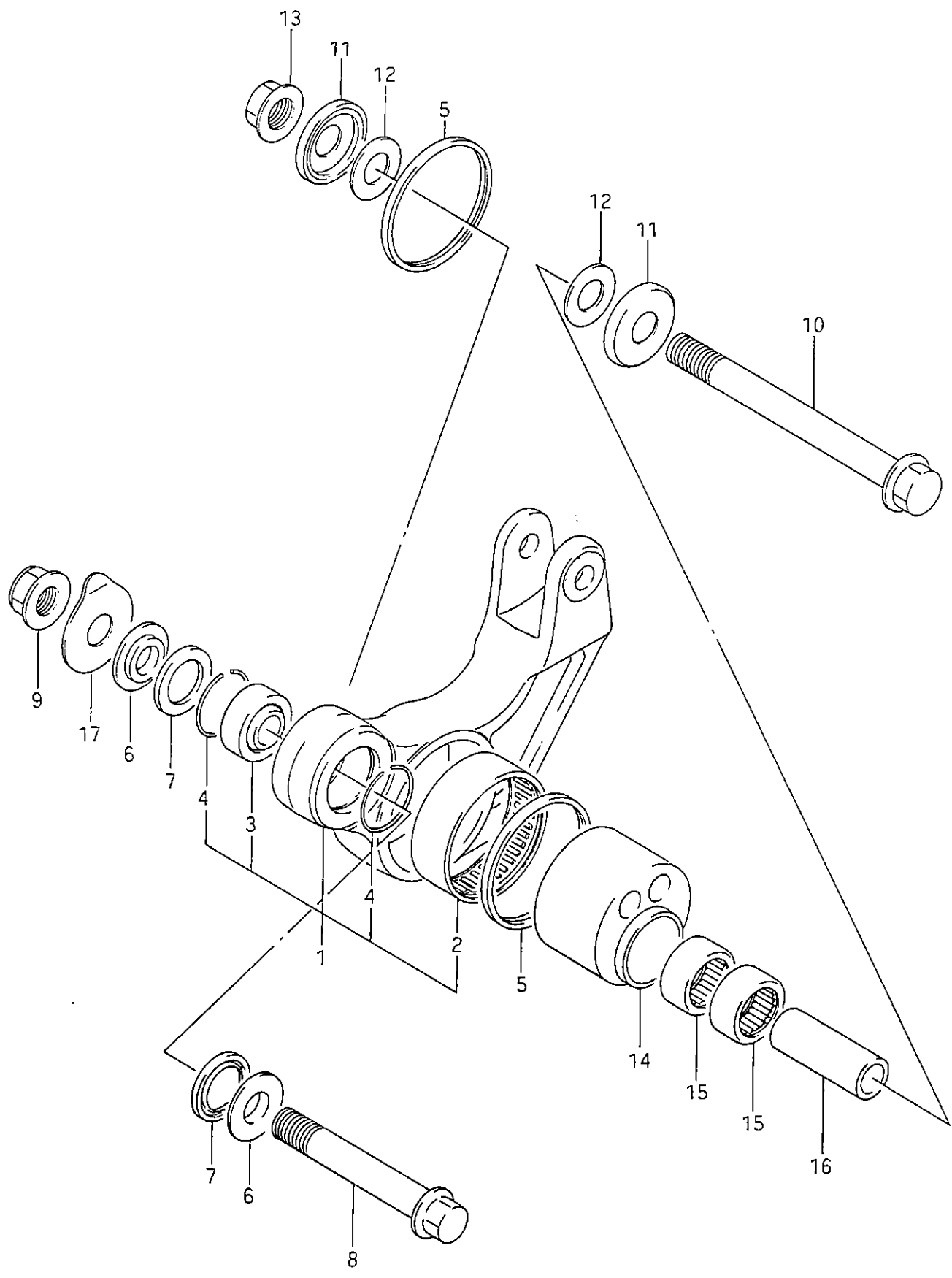
1-1	61000-06B00	SWINGING ARM ASSY, REAR	1	MODEL G/H
1-1	61000-06B00			TO 61000-06B01
1-2	61000-06B01	SWINGING ARM ASSY, REAR	1	MODEL J
2	09263-25024	.BEARING	2	
3	61282-06B00	SPACER, CENTER	1	
4	61251-49000	SPACER, PIVOT SHAFT	2	
5	08211-16381	WASHER	2	
6	61262-49201	DUST SEAL, PIVOT SHAFT	2	
7	61211-06B00	SHAFT, SWINGING ARM PIVOT	1	
8	09160-14015	WASHER	1	
9	09159-14013	NUT	1	
10	61222-43400	CAP, SWINGING ARM PIVOT	2	
11	61273-06B00	BUFFER, CHAIN TOUCH DEFENSE	1	
12	01517-06208	BOLT	2	
13	09169-06032	WASHER	2	
14	61310-27A01	CASE, CHAIN	1	
15	01517-06105	BOLT	2	
16	09169-06026	WASHER	2	
17	64300-06840	TORQUE LINK SET, REAR	1	
18	64352-40411	.BEARING	1	
19	09103-08161	BOLT, FRONT	1	
20	64339-40410	DUST SEAL, TORQUE LINK	2	
21	09103-08161	BOLT, REAR	1	
22	64336-20A00	SPACER, TORQUE LINK	1	
23	08322-11088	WASHER	2	
24	08314-41088	NUT	2	
25	04111-20208	COTTER PIN	2	

FIG.60



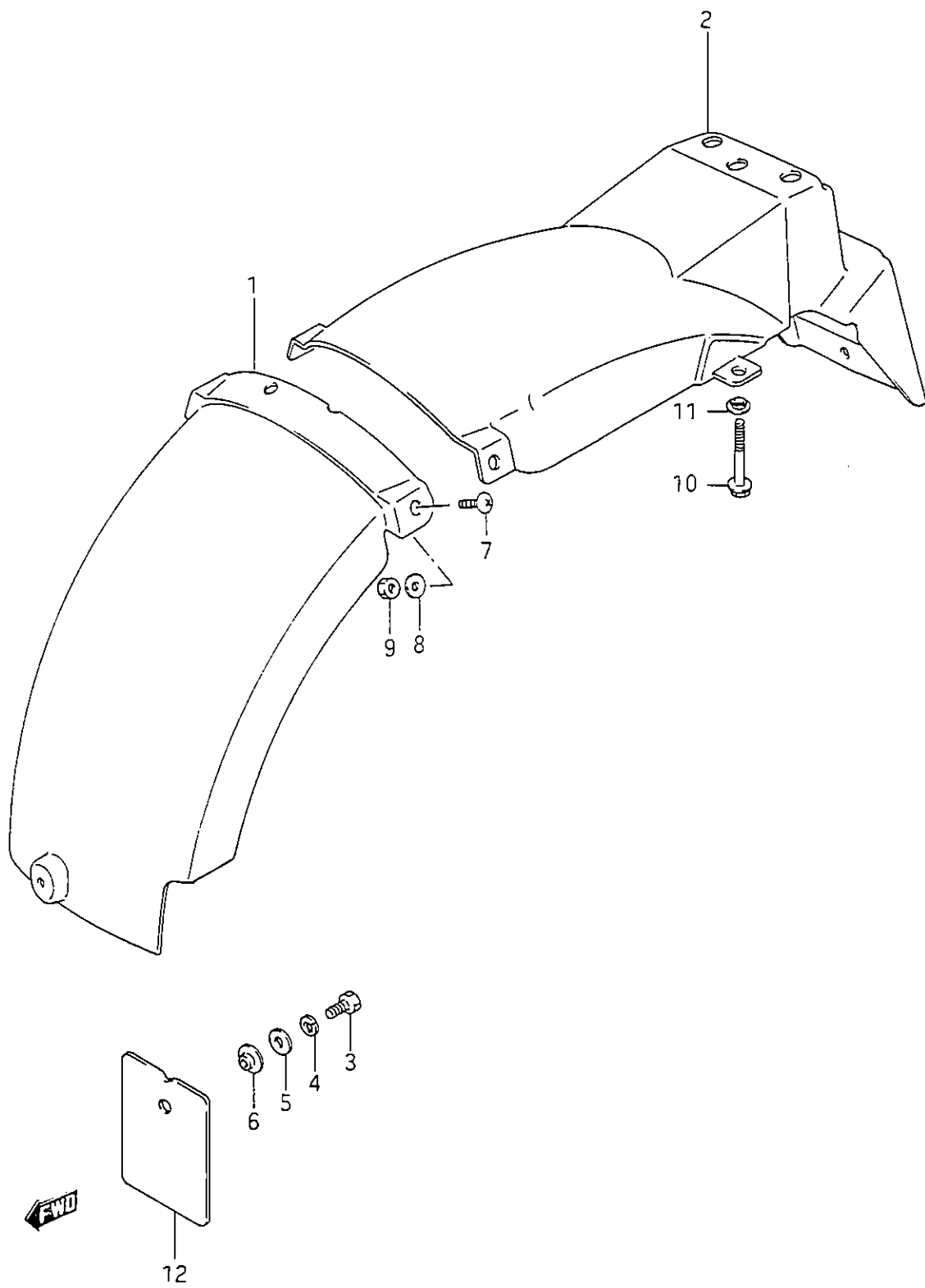
1	62100-06B10	ABSORBER ASSY, REAR SHOCK	1	MODEL G
2	62226-14520	.DUST SEAL, UPPER	2	
3	62684-14520	.COLLAR	2	
4	51181-43010	.DUST SEAL, LOWER	2	
5	62177-14410	.COLLAR	2	
6-1	62100-06B30	ABSORBER ASSY, REAR SHOCK	1	MODEL H
6-2	62100-06B50	ABSORBER ASSY, REAR SHOCK	1	MODEL J
7	62226-27A20	.DUST SEAL	4	
8	62177-27A20	.COLLAR, UPPER	2	
9	62684-27A50	.COLLAR	2	
10	62311-08300	BOLT, UPPER	1	
11	09103-10126	BOLT, LOWER	1	
12	08319-31107	NUT	2	
13	62331-06B00	CUSHION, TANK	2	
14	09402-70501	CLAMP	2	

FIG. 61



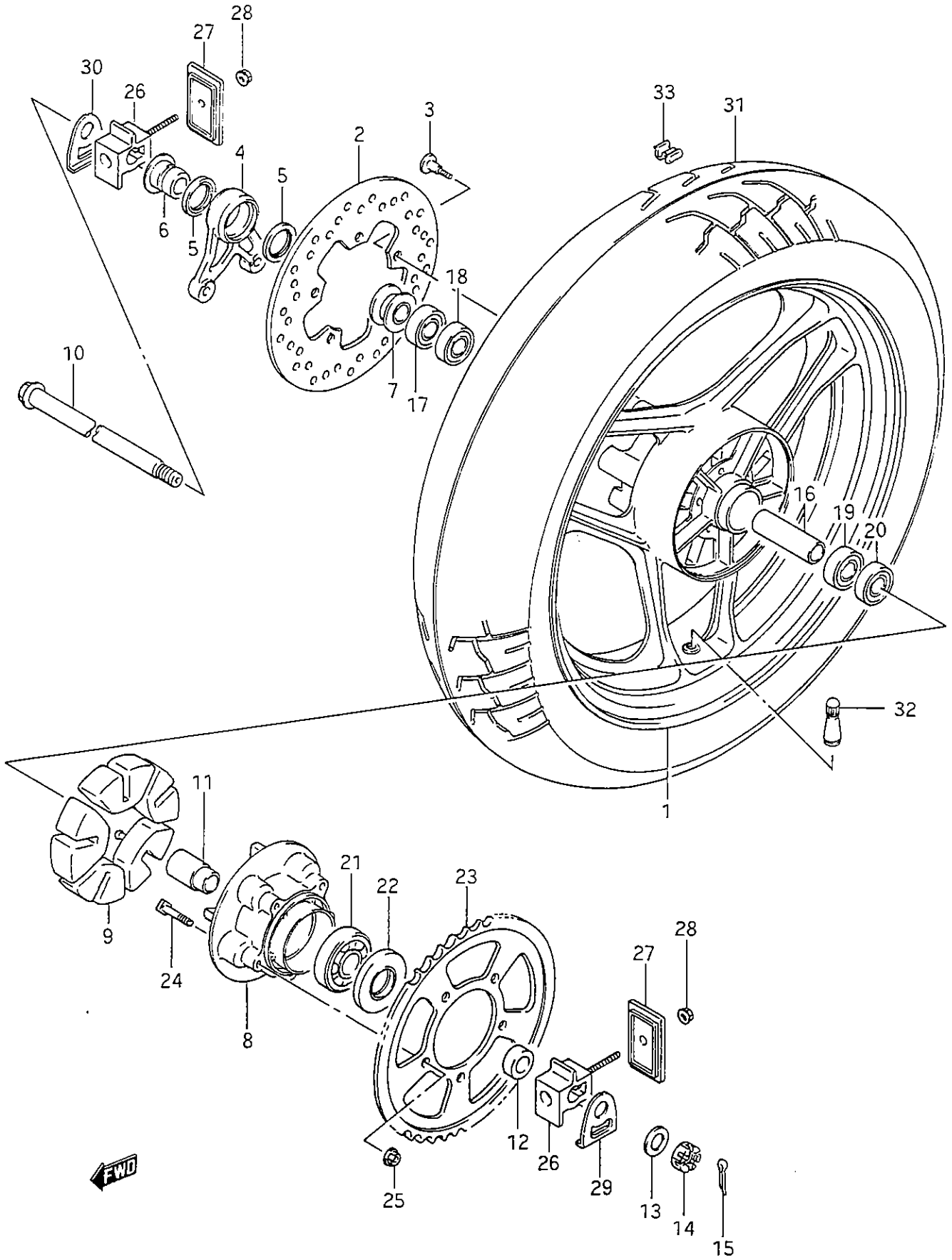
1	62600-06841	LEVER SET, REAR CUSHION	1
2	09263-45003	.BEARING	1
3	09269-12004	.BEARING, FRONT	1
4	62657-05A00	.RING, STOPPER	2
5	62624-40A00	DUST SEAL, CUSHION LEVER	2
6	62316-05A01	SPACER, FRONT	2
7	62647-05A00	DUST SEAL	2
8	62668-27A00	BOLT, CUSHION LEVER	1
9	08319-31128	NUT	1
10	09103-12015	SHAFT, REAR CUSHION	1
11	61262-40200	COVER, DUST	2
12	08211-12281	WASHER	2
13	08319-31128	NUT	1
14	62623-40A01	SPACER, ECCENTRIC	1
15	09263-17032	BEARING	2
16	62646-40A01	SPACER, CUSHION LEVER	1
17	62667-27A00	SHIM	0%1

FIG. 62



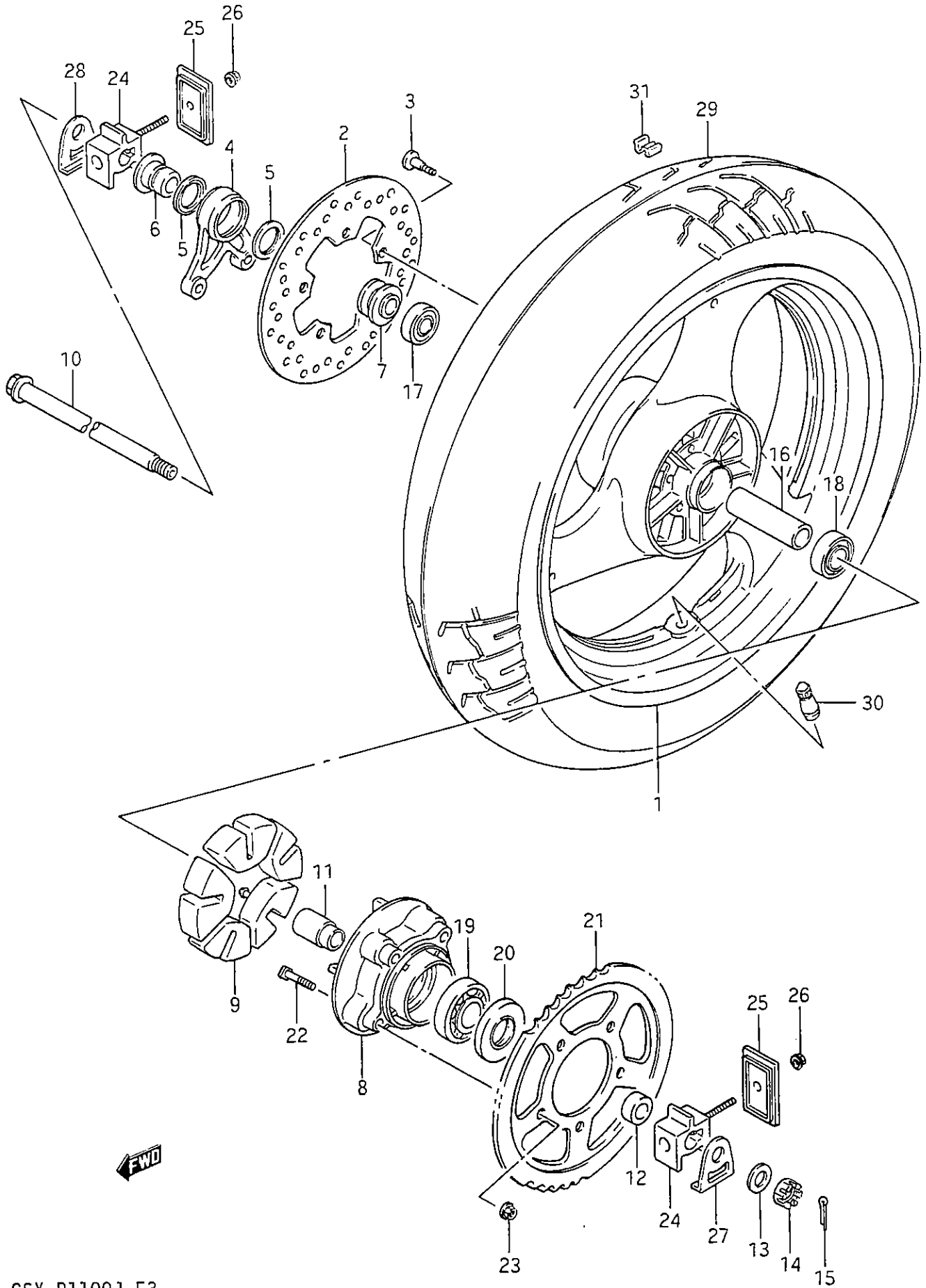
1	63112-27A00	BODY, REAR FENDER FRONT	1
2	63113-06B00	BODY, REAR FENDER REAR	1
3	01107-06207	BOLT, FRONT	1
4	08321-21067	LOCK WASHER	1
5	09160-06007	WASHER	1
6	09169-06038	WASHER	1
7	02142-06166	SCREW	2
8	09160-06007	WASHER (6.5X18X1.6)	2
9	08319-21068	NUT	2
10	01517-08555	BOLT, REAR	2
11	09169-08034	WASHER	2
12	63411-27A00	MUD GUARD	1

FIG. 63



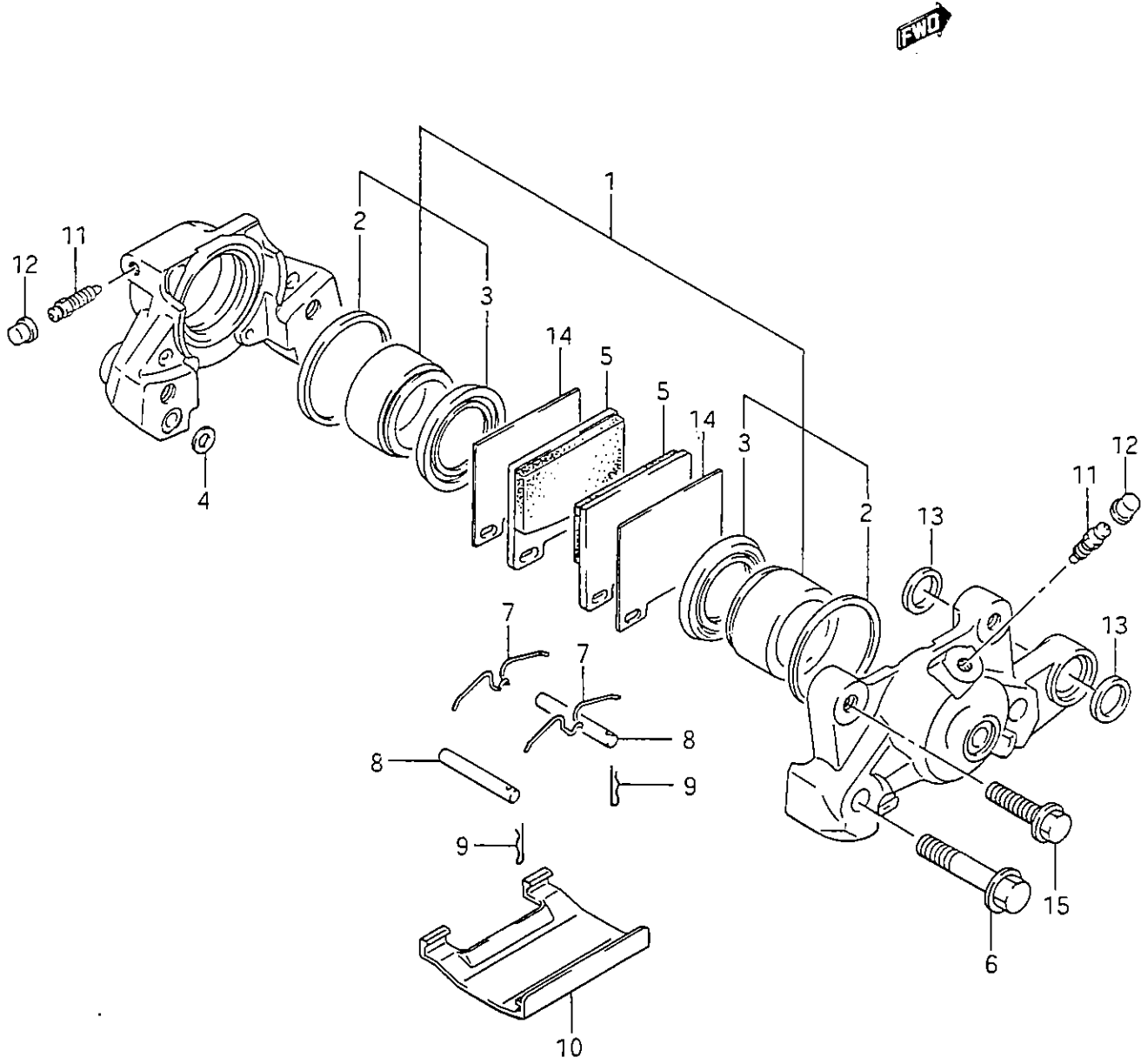
1	64111-06B00-291	WHEEL, REAR (18XMT4.00) BLACK	1	
2	69211-27A00	DISC, REAR BRAKE	1	
3	09106-08062	BOLT	5	
4	69720-27A01	BRACKET, REAR CALIPERS	1	
5	09285-28002	.OIL SEAL	2	
6	69412-27A00	SPACER	1	
7	64740-27A01	SPACER, RH	1	
8	64611-27A02	DRUM, SPROCKET	1	
9	64651-27A01	SHOCK ABSORBER, DRUM	5	
10	64711-06B00	AXLE, REAR	1	
11	64733-27A00	RETAINER, DRUM	1	
12	64751-27A00	SPACER, LH	1	
13	08322-11188	WASHER	1	
14	09141-18007	NUT	1	
15	04111-40408	COTTER PIN	1	
16	64731-06B00	SPACER, BEARING	1	
17	08123-60047	BEARING, RH	1	
18	08113-60047	BEARING, INNER RH	1	
19	08143-60047	BEARING, LH	1	
20	08113-60047	BEARING, OUTER LH	1	
21	09262-25073	BEARING	1	
22	09285-35001	OIL SEAL	1	
23	64511-06B01	SPROCKET, REAR (NT:47)	1	
24	09105-10007	BOLT	5	
25	08319-31107	NUT	5	
26	61410-27A10	ADJUSTER, CHAIN	2	
27	61421-06B00	PLATE	2	
28	08319-31087	NUT	2	
29	61445-06B00	WASHER (ID:18.2)	1	
30	61455-06B00	WASHER (ID:20.5)	1	
31	65100-06B20	TIRE, T/L REAR (150/70 VR18)	1	DUNLOP
32	43130-75150	VALVE	1	
33-1	55411-00A00	BALANCER (10G)	0%3	
33-2	55412-00A00	BALANCER (20G)	0%3	
33-3	55413-00A00	BALANCER (30G)	0%3	
33-3	55413-00A00	REFER TO FIG.64 (H-12) FOR MO		

FIG. 64



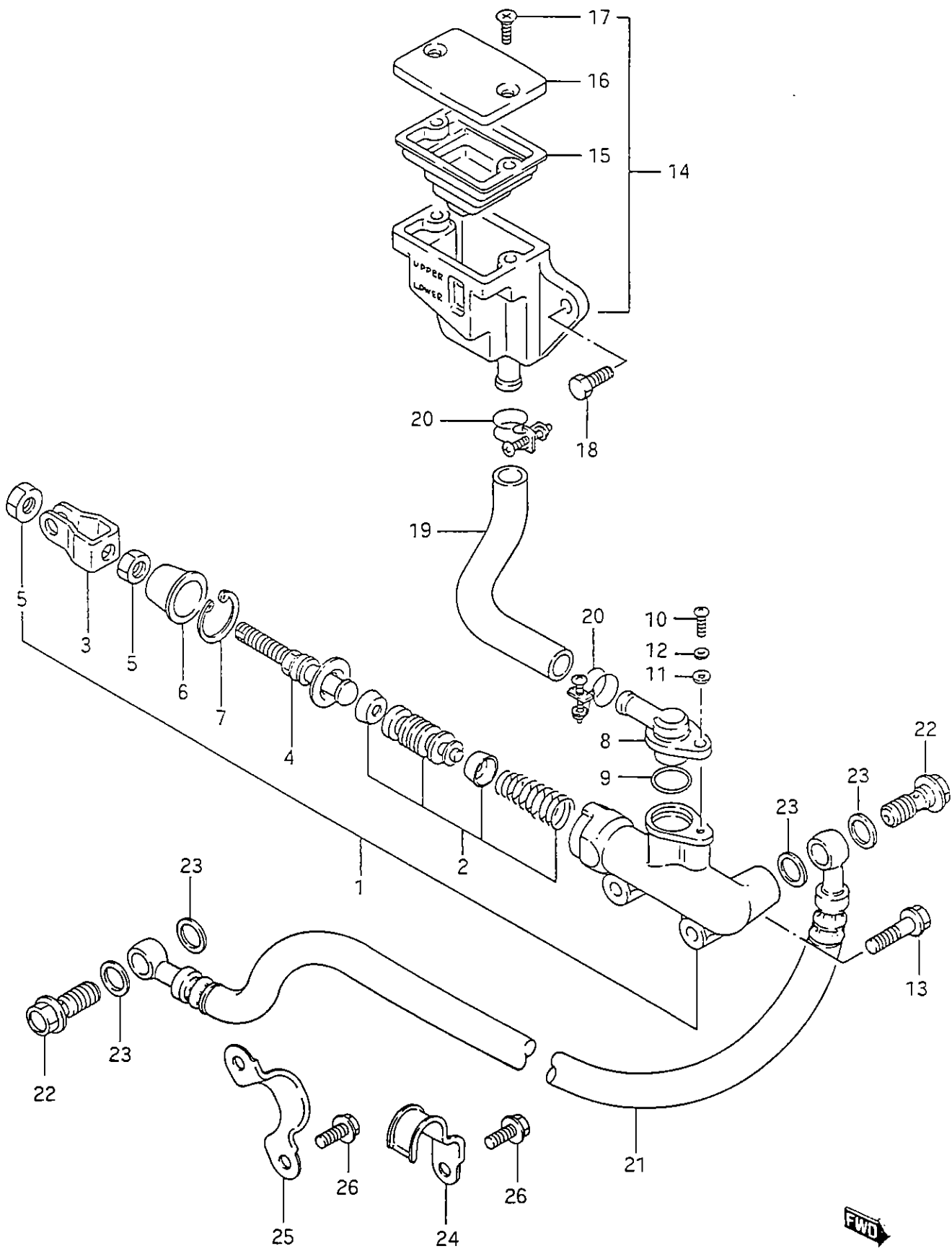
1	64111-06B10-28	WHEEL, REAR (18XMT4.50) WHITE	1	
2	69211-27A00	DISC, REAR BRAKE	1	
3	09106-08062	BOLT	5	
4	69720-27A01	BRACKET, REAR CALIPERS	1	
5	09285-28002	.OIL SEAL	2	
6	69412-27A00	SPACER	1	
7	64740-48B00	SPACER, RH	1	
8	64611-17C00	DRUM, SPROCKET	1	
9	64651-27A01	SHOCK ABSORBER, DRUM	5	
10	64711-06B00	AXLE, REAR	1	
11	64733-27A00	RETAINER, DRUM	1	
12	64751-27A00	SPACER, LH	1	
13	08322-11188	WASHER	1	
14	09141-18007	NUT	1	
15	04111-40408	COTTER PIN	1	
16	09180-20104	SPACER, BEARING	1	
17	08123-62047	BEARING, RH	1	
18	09262-20042	BEARING, LH	1	
19	09262-25073	BEARING	1	
20	09285-35001	OIL SEAL	1	
21	64511-06B10	SPROCKET, REAR (NT:46)	1	
22	09105-10007	BOLT	5	
23	08319-31107	NUT	5	
24	61410-06B00	ADJUSTER, CHAIN	2	
25	61421-06B00	PLATE	2	
26	08319-31087	NUT	2	
27	61445-06B00	WASHER (ID:18.2)	1	
28	61455-06B00	WASHER (ID:20.5)	1	
29	65100-06B30	TIRE, T/L REAR (160/60 VR18)	1	DUNLOP
30	43130-75150	VALVE	1	
31-1	55411-00A00	BALANCER (10G)	0%3	
31-2	55412-00A00	BALANCER (20G)	0%3	
31-3	55413-00A00	BALANCER (30G)	0%3	

FIG. 65



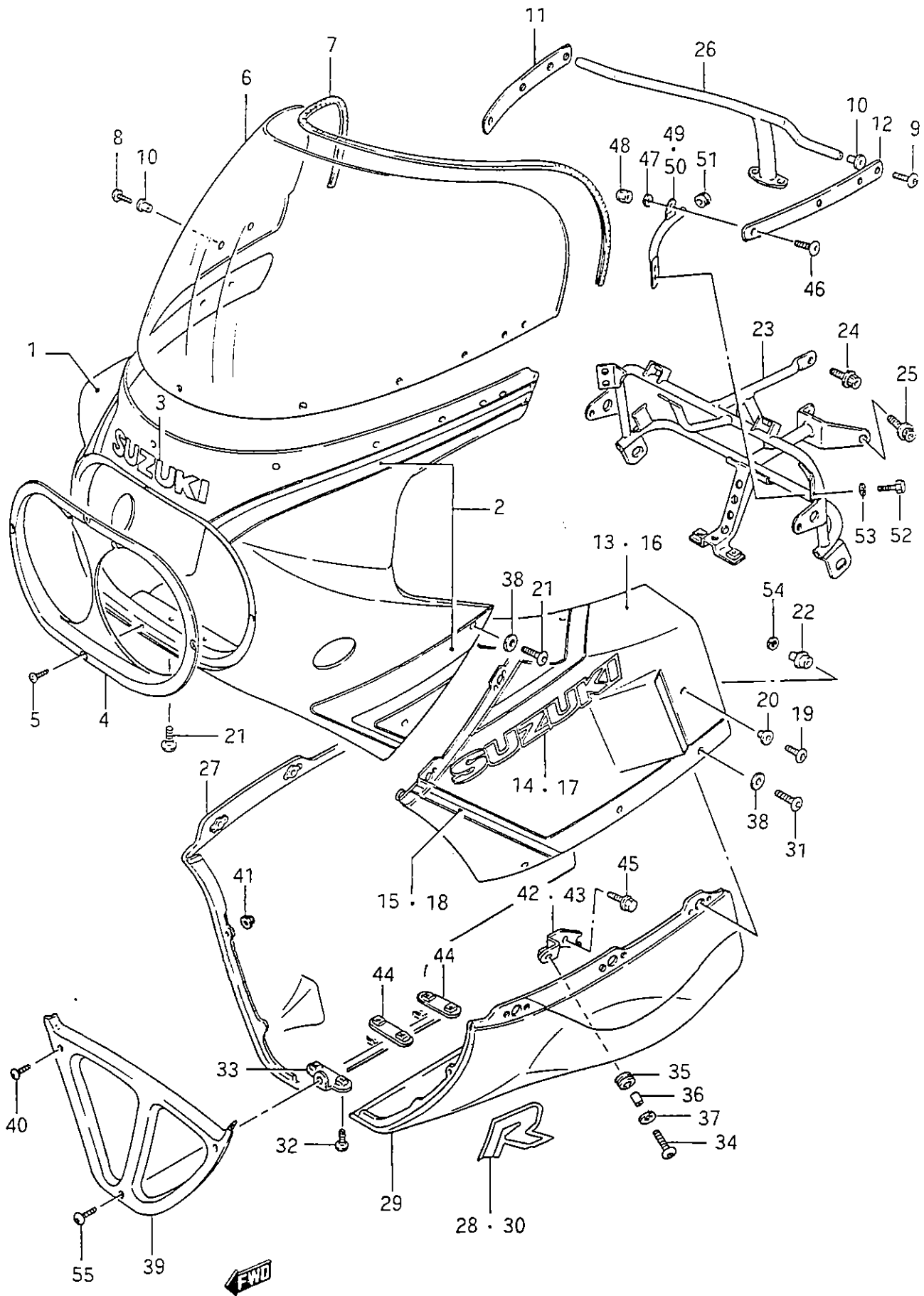
	69100-27A11	CALIPER ASSY, REAR	1
1	69100-27820	.PISTON SET	1
2	59107-18410	..SEAL	2
3	59108-16700	..BOOT	2
4	69107-34200	..SEAL	1
5	69130-16740	.PAD	2
6	59145-16700	.BOLT	2
7	59143-16700	.SPRING	2
8	69141-45000	.PIN	2
9	69142-45000	.CLIP	2
10	59151-16701	.COVER	1
11	59121-18410	.BLEEDER	2
12	59122-18410	.CAP	2
13	62647-04A00	.DUST SEAL	2
14	59371-33410	.SHIM	2
15	01517-08304	BOLT	2

FIG. 66



1	69600-27A00	CYLINDER ASSY, REAR MASTER	1	
2	69600-16820	.PISTON / CAP SET	1	
3	69692-19A00	.YOKE	1	
4	69670-27A00	.ROD, PUSH	1	
5	69693-05A00	.NUT	2	
6	69691-00A00	.BOOT	1	
7	51162-70040	.CIRCLIP	1	
8	69672-05A00	.CONNECTOR	1	
9	69686-34200	.O RING	1	
10	02112-04124	.SCREW	1	
11	08322-21045	.WASHER	1	
12	08321-21045	.LOCK WASHER	1	
13	09106-06056	BOLT	2	
14	69740-27A31	TANK ASSY, REAR RESERVOIR	1	
15	59667-04700	.DIAPHRAGM	1	
16	59669-04710	.CAP	1	
17	69689-04A00	.SCREW	2	
18	01107-06127	BOLT	1	
19	69731-27A00	HOSE, RESERVOIR	1	
20	09400-16302	CLAMP	2	
21	69480-06B00	HOSE, REAR BRAKE	1	
22	09360-10017	BOLT	2	
23	09161-10009	WASHER (10X15X1.5)	4	
24	61196-06B01	CLAMP	1	MODEL G/H
25	61198-06B00	CLAMP	1	MODEL G
26	01517-05128	BOLT	3	MODEL G/H

FIG. 67

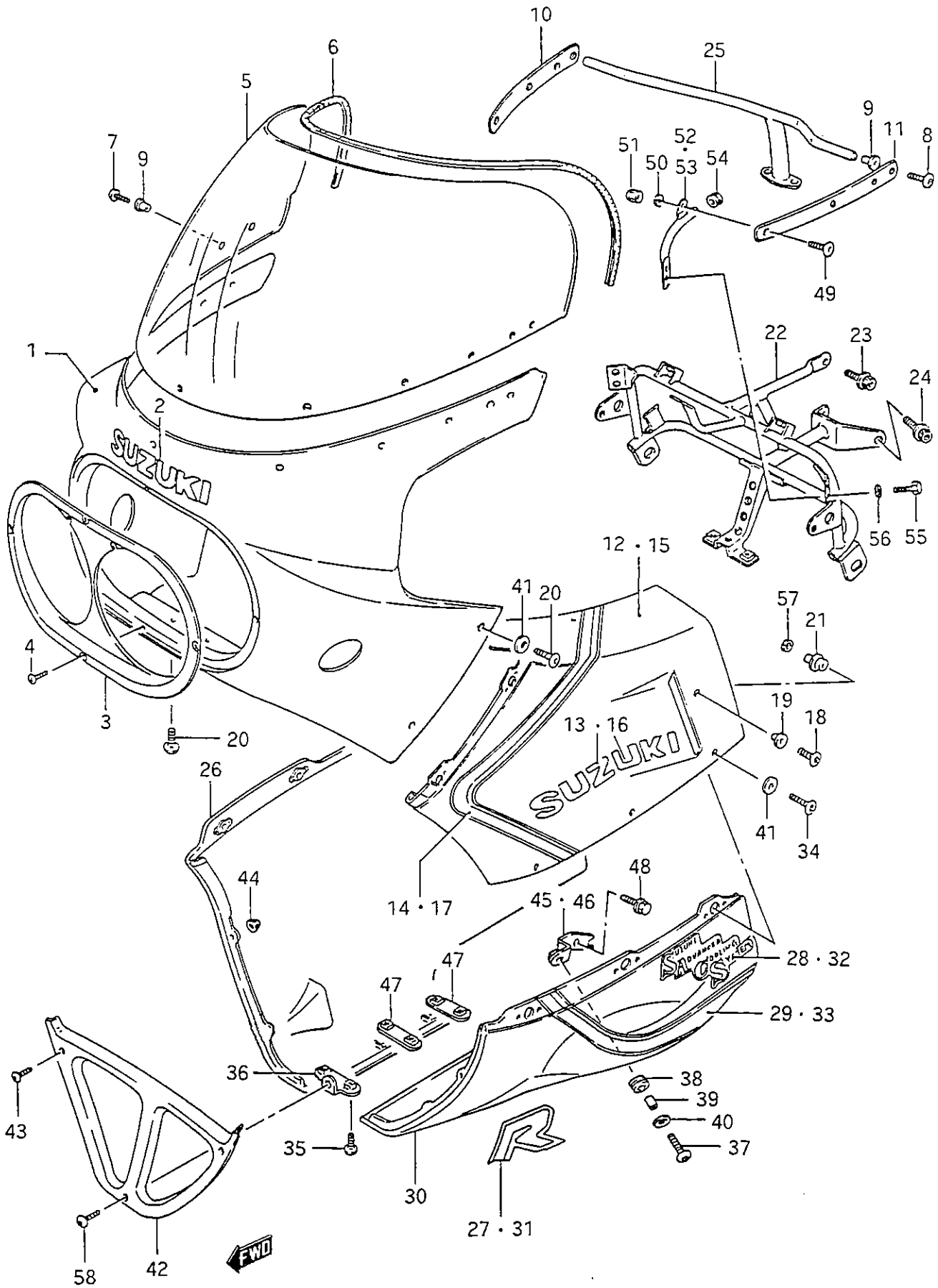


1-1	94400-06810-8JV	BODY ASSY, COWLING	1	
1-1	94400-06810-8JV	(WHITE/BLUE)		
1-2	94400-06820-8JWB	BODY ASSY, COWLING	1	
1-2	94400-06820-8JW	(BLUE/RED)		
2-1	68190-06B01-8KA	.TAPE SET	1	FOR 8JV
2-2	68190-06B01-8KB	.TAPE SET	1	FOR 8JW
3-1	68271-04A00-07G	.EMBLEM	1	FOR 8JV
3-2	68271-04A00-742	.EMBLEM	1	FOR 8JW
4	94435-27A00-291	COVER, FRONT (BLACK)	1	
5	03541-04125	SCREW	4	
6	94611-06B01	SCREEN, WIND	1	
7	94631-27A00	MOLDING	1	
8	09139-05025	SCREW (5X14)	3	
9	09139-05032	SCREW, REAR (5X18)	2	
10	94619-27A00	NUT	5	
11	94529-27A00	PLATE, MIRROR RH	1	
12	94539-27A00	PLATE, MIRROR LH	1	
13-1	94430-06B10-8JVC	COVER, SIDE RH (WHITE/BLUE)	1	
13-2	94430-06B10-8JWC	COVER, SIDE RH (BLUE/RED)	1	
14-1	68111-31310-8KD	.EMBLEM	1	FOR 8JV
14-2	68111-31310-65G	.EMBLEM	1	FOR 8JW
15-1	68680-06B01-8KA	.TAPE SET, RH	1	FOR 8JV
15-2	68680-06B01-8KB	.TAPE SET, RH	1	FOR 8JW
16-1	94440-06B10-8JVC	COVER, SIDE LH (WHITE/BLUE)	1	
16-2	94440-06B10-8JWC	COVER, SIDE LH (BLUE/RED)	1	
17-1	68111-31310-8KD	.EMBLEM	1	FOR 8JV
17-2	68111-31310-65G	.EMBLEM	1	FOR 8JW
18-1	68690-06B01-8KA	.TAPE SET, LH	1	FOR 8JV
18-2	68690-06B01-8KB	.TAPE SET, LH	1	FOR 8JW
18-2	68690-06B01-8KB	REFER TO FIG.68 (I- 5) FOR MO		
18-2	68690-06B01-8KB	REFER TO FIG.69 (I- 8) FOR MO		
18-2	68690-06B01-8KB	REFER TO FIG.70 (I-10) FOR MO		
19	09139-06027	SCREW, REAR (6X12)	2	
20	09169-06033	WASHER	2	
21	09139-06030	SCREW (6X16)	9	
22	94570-04A00	CUSHION	2	
23	94510-06B00	BRACE, FRONT	1	
24	07120-08205	BOLT	1	
25	07120-08165	BOLT, LOWER	2	
26	94530-06B00	BRACE, REAR	1	
27-1	94470-06B01-8KK	COVER, LOWER RH	1	FOR 8JV
27-1	94470-06B01-8KK	(WHITE/BLUE/BLUE)		
27-2	94470-06B01-8KL	COVER, LOWER RH	1	FOR 8JW
27-2	94470-06B01-8KL	(BLUE/RED/SILVER)		
28-1	68261-27A00-8KE	.EMBLEM	1	FOR 8KK
28-2	68261-27A00-8KC	.EMBLEM	1	FOR 8KL
29-1	94480-06B10-8KK	COVER, LOWER LH	1	FOR 8JV
29-1	94480-06B10-8KK	(WHITE/BLUE/BLUE)		
29-2	94480-06B10-8KL	COVER, LOWER LH	1	FOR 8JW
29-2	94480-06B10-8KL	(BLUE/RED/SILVER)		
30-1	68261-27A10-8KE	.EMBLEM	1	FOR 8KK
30-2	68261-27A10-8KC	.EMBLEM	1	FOR 8KL
31	09139-06030	SCREW, UPPER (6X16)	6	
32	09139-06039	SCREW, RH & LH (6X16)	6	
33	94490-06B00	BRACE, LOWER	1	
34	09139-06028	SCREW (6X20)	2	
35	09320-09016	CUSHION	2	
36	09180-06152	SPACER	2	
37	09160-06056	WASHER (6.5X18X1)	2	
38	09160-06094	WASHER	12	
38	09160-06094	REFER TO FIG.68 (I- 5) FOR MO		

38	09160-06094	REFER TO FIG.69 (I- 8) FOR MO	
38	09160-06094	REFER TO FIG.70 (I-10) FOR MO	
39	94475-06B01-23ZCOVER,	LOWER FRONT (BLUE)	1
40	09139-05025	SCREW (5X14)	2
41	08316-26055	NUT	2
42	94580-06B00	BRACE, LOWER RH	1
43	94590-06B00	BRACE, LOWER LH	1
44	94493-06B00	BRACE, LOWER REAR	2
45	01517-06128	BOLT	2
46	09139-06030	SCREW (6X16)	2
47	08321-21064	LOCK WASHER	2
48	08313-11065	NUT	2
49	94550-06B00	BRACE, MIRROR RH	1
50	94560-06B00	BRACE, MIRROR LH	1
51	09250-08008	CUSHION	2
52	01107-06165	BOLT	4
53	08321-21064	LOCK WASHER	4
54	08321-31064	LOCK WASHER	2
55	09139-06030	SCREW (6X16)	1
55	09139-06030	REFER TO FIG.68 (I- 5) FOR MO	
55	09139-06030	REFER TO FIG.69 (I- 8) FOR MO	
55	09139-06030	REFER TO FIG.70 (I-10) FOR MO	

Blank Page

FIG. 68

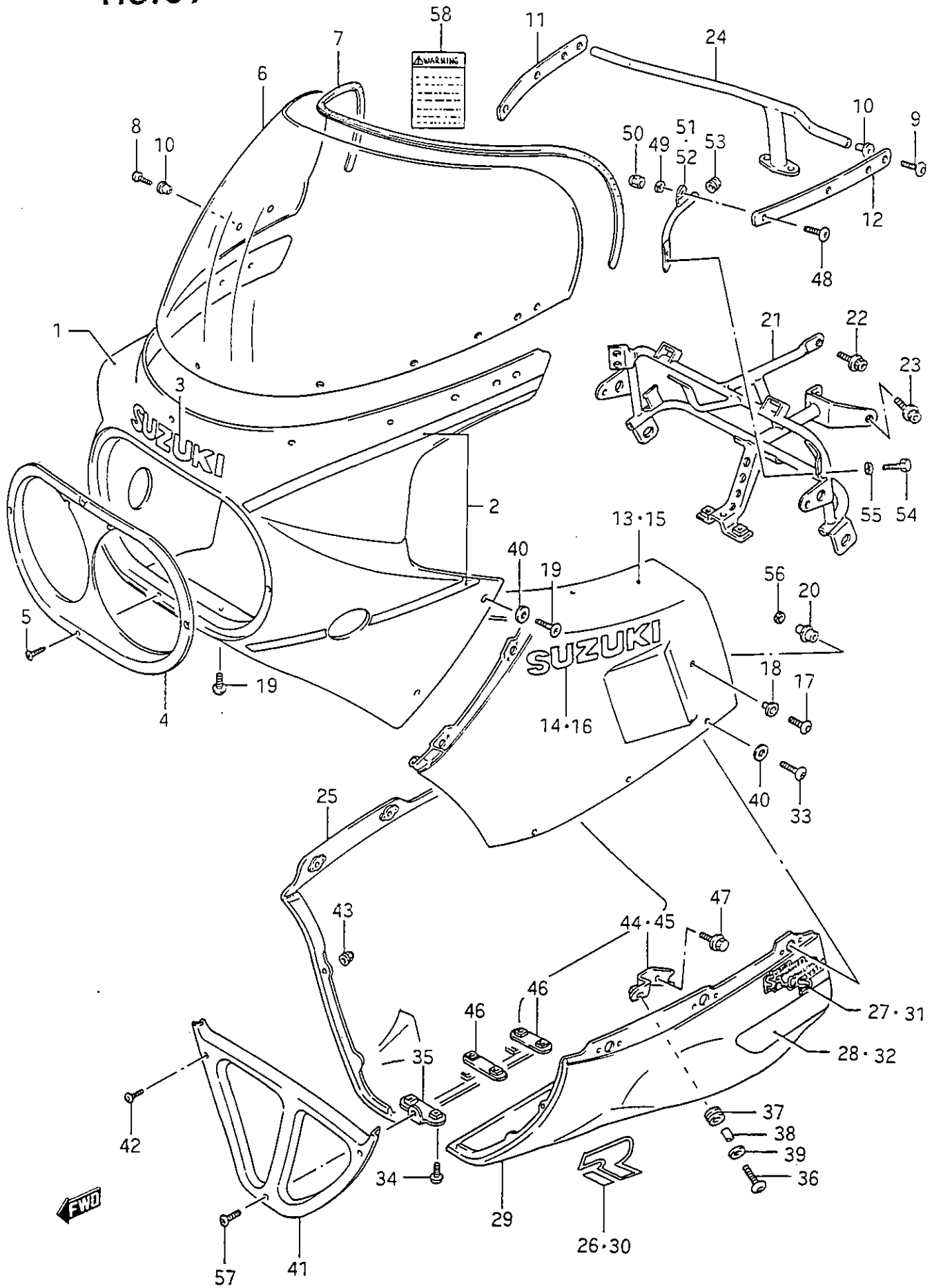


1-1	94400-06B20-9HJ	BODY ASSY, COWLING	1	
1-1	94400-06B20-9HJ	(WHITE/BLUE)		
1-2	94400-06B20-9HD	BODY ASSY, COWLING	1	
1-2	94400-06B20-9HD	(BLACK/RED)		
2-1	68271-04A00-064	.EMBLEM	1	FOR 9HJ
2-2	68271-04A00-742	.EMBLEM	1	FOR 9HD
3-1	94435-27A00-34R	.COVER, FRONT (BLUE)	1	FOR 9HJ
3-2	94435-27A00-13Z	.COVER, FRONT (BLACK)	1	FOR 9HD
4	03541-04125	.SCREW	4	
5	94611-06B01	SCREEN, WIND (CLEAR)	1	
6	94631-27A00	MOLDING	1	
7	09139-05025	SCREW (5X14)	3	
8	09139-05032	SCREW, REAR (5X18)	2	
9	94619-27A00	NUT	5	
10	94529-27A00	PLATE, MIRROR RH	1	
11	94539-27A00	PLATE, MIRROR LH	1	
12-1	94430-06B30-9HJ	COVER, SIDE RH (WHITE/BLUE)	1	FOR 9HJ
12-2	94430-06B30-9HD	COVER, SIDE RH (BLACK/RED)	1	FOR 9HD
13	68111-43400-064	.EMBLEM	1	
14-1	68680-27A50-9HT	.TAPE SET, RH	1	FOR 9HJ
14-2	68680-27A50-9HU	.TAPE SET, RH	1	FOR 9HD
15-1	94440-06B30-9HJ	COVER, SIDE LH (WHITE/BLUE)	1	FOR 9HJ
15-2	94440-06B30-9HD	COVER, SIDE LH (BLACK/RED)	1	FOR 9HD
16	68111-43400-064	.EMBLEM	1	
17-1	68690-27A50-9HT	.TAPE SET, LH	1	FOR 9HJ
17-2	68690-27A50-9HU	.TAPE SET, LH	1	FOR 9HD
17-2	68690-27A50-9H	REFER TO FIG.69 (I- 8) FOR MO		
17-2	68690-27A50-9H	REFER TO FIG.70 (I-10) FOR MO		
18	09139-06027	SCREW, REAR (6X12)	2	
19	09169-06033	WASHER	2	
20	09139-06030	SCREW (6X16)	6	
21	94570-04A00	CUSHION	2	
22	94510-06B00	BRACE, FRONT	1	
23	07120-08205	BOLT	1	
24	07120-08165	BOLT, LOWER	2	
25	94530-06B00	BRACE, REAR	1	
26-1	94470-06B10-9HJ	COVER, LOWER RH (WHITE/BLUE)	1	FOR 9HJ
26-2	94470-06B10-9HD	COVER, LOWER RH (BLACK/RED)	1	FOR 9HD
27-1	68261-27A00-8KE	.EMBLEM	1	FOR 9HJ
27-2	68261-27A00-7JS	.EMBLEM	1	FOR 9HD
28-1	68131-27A00-9HT	.EMBLEM	1	FOR 9HJ
28-2	68131-27A00-9EW	.EMBLEM	1	FOR 9HD
29-1	68680-27A60-9HT	.TAPE SET, LOWER	1	FOR 9HJ
29-2	68680-27A60-9HU	.TAPE SET, LOWER	1	FOR 9HD
30-1	94480-06B30-9HJ	COVER, LOWER LH (WHITE/BLUE)	1	FOR 9HJ
30-2	94480-06B30-9HD	COVER, LOWER LH (BLACK/RED)	1	FOR 9HD
31-1	68261-27A00-8KE	.EMBLEM	1	FOR 9HJ
31-2	68261-27A00-7JS	.EMBLEM	1	FOR 9HD
32-1	68131-27A00-9HT	.EMBLEM	1	FOR 9HJ
32-2	68131-27A00-9EW	.EMBLEM	1	FOR 9HD
33-1	68690-27A60-9HT	.TAPE SET, LOWER	1	FOR 9HJ
33-2	68690-27A60-9HU	.TAPE SET, LOWER	1	FOR 9HD
33-2	68690-27A60-9H	REFER TO FIG.69 (I- 8) FOR MO		
33-2	68690-27A60-9H	REFER TO FIG.70 (I-10) FOR MO		
34	09139-06030	SCREW, UPPER (6X16)	6	
35	09139-06039	SCREW, RH & LH (6X16)	6	
36	94490-06B00	BRACE, LOWER	1	
37	09139-06028	SCREW (6X20)	2	
38	09320-09016	CUSHION	2	
39	09180-06152	SPACER	2	
40	09160-06056	WASHER (6.5X18X1)	2	

41	09161-07005	WASHER	10	
42-1	94475-06B01-22RCOVER,	LOWER FRONT (WHITE)	1	FOR 9HJ
42-2	94475-06B01-22PCOVER,	LOWER FRONT (RED)	1	FOR 9HD
43	09139-05025	SCREW (5X14)	2	
44	08316-26055	NUT	2	
45	94580-06B00	BRACE, LOWER RH	1	
46	94590-06B00	BRACE, LOWER LH	1	
47	94493-06B00	BRACE, LOWER REAR	2	
48	01517-06128	BOLT	2	
49	09139-06030	SCREW (6X16)	2	
50	08321-21064	LOCK WASHER	2	
51	08313-11065	NUT	2	
52	94550-06B00	BRACE, MIRROR RH	1	
53	94560-06B00	BRACE, MIRROR LH	1	
54	09250-08008	CUSHION	2	
55	01107-06165	BOLT	4	
56	08321-21064	LOCK WASHER	4	
57	08321-31064	LOCK WASHER	2	
58	09139-06030	SCREW (6X16)	1	
58	09139-06030	REFER TO FIG.69 (I- 8) FOR MO		
58	09139-06030	REFER TO FIG.70 (I-10) FOR MO		

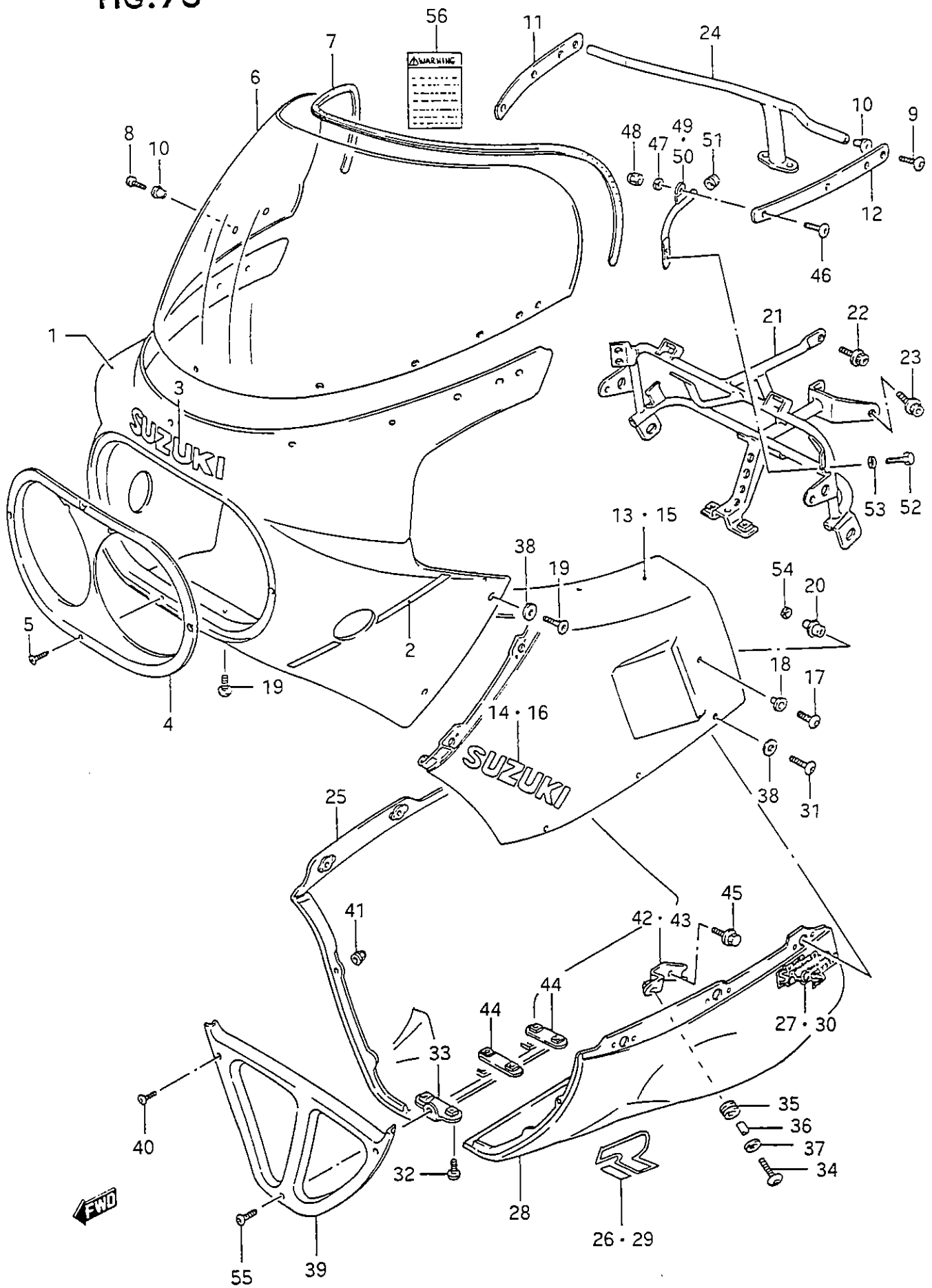
Blank Page

FIG. 69



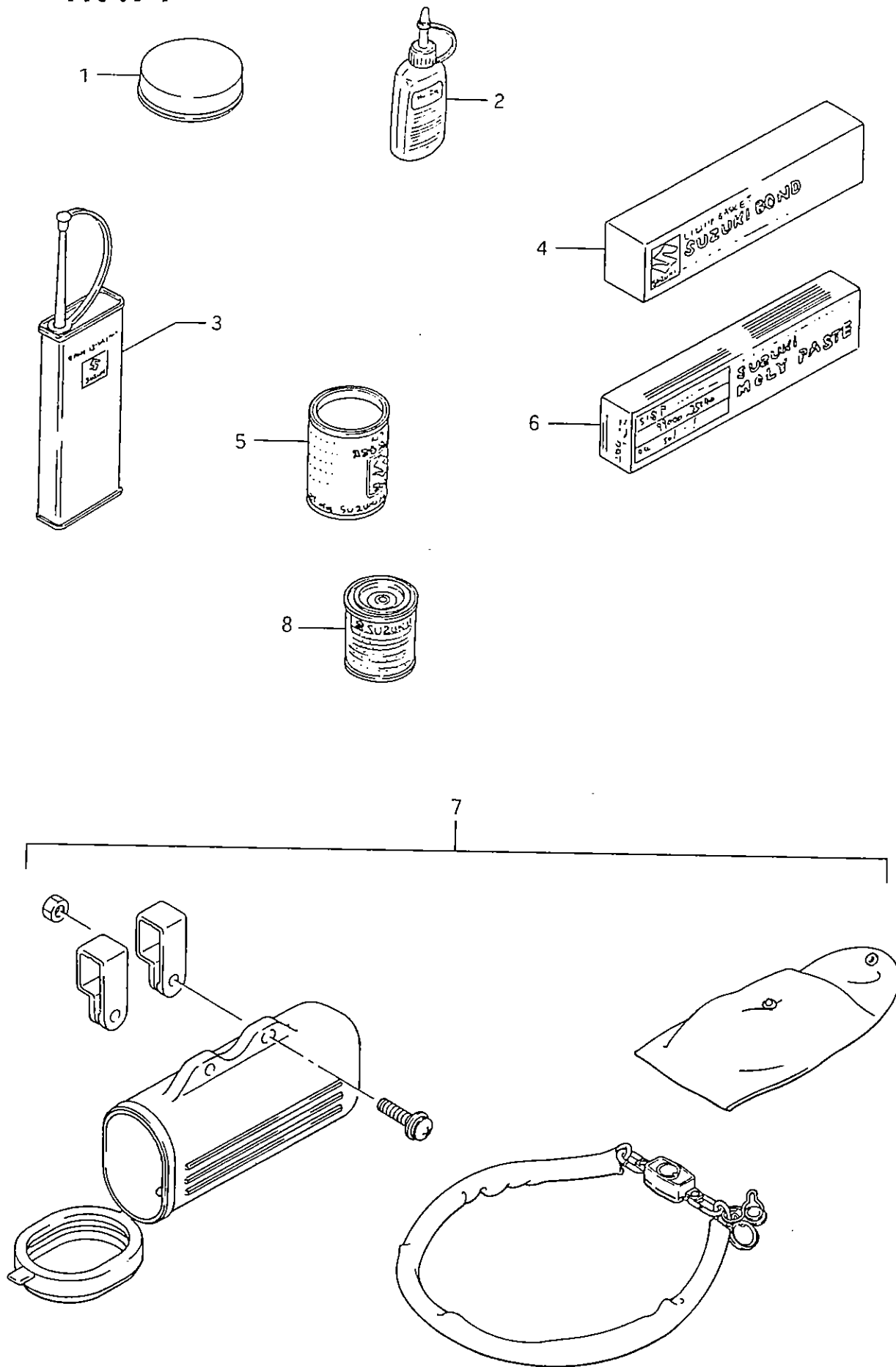
1	94400-06B40-9HDBODY ASSY, COWLING	1
1	94400-06B40-9HD (BLACK/RED)	
2	68180-06B00-9HD.TAPE SET	1
3	68271-04A00-22R.EMBLEM	1
4	94435-27A00-13Z.COVER, FRONT (BLACK)	1
5	03541-04125 .SCREW	4
6	94611-06B01 SCREEN, WIND (CLEAR)	1
7	94631-27A00 MOLDING	1
8	09139-05025 SCREW (5X14)	3
9	09139-05032 SCREW, REAR (5X18)	2
10	94619-27A00 NUT	5
11	94529-27A00 PLATE, MIRROR RH	1
12	94539-27A00 PLATE, MIRROR LH	1
13	94430-06B50-9HDCOVER, SIDE RH (BLACK/RED)	1
14	68112-43400-22R.EMBLEM	1
15	94440-06B50-9HDCOVER, SIDE LH (BLACK/RED)	1
16	68112-43400-22R.EMBLEM	1
17	09139-06027 SCREW, REAR (6X12)	2
18	09169-06033 WASHER	2
19	09139-06030 SCREW (6X16)	6
20	94570-04A00 CUSHION	2
21	94510-06B00 BRACE, FRONT	1
22	07120-08205 BOLT	1
23	07120-08165 BOLT, LOWER	2
24	94530-06B00 BRACE, REAR	1
25	94470-06B40-9HDCOVER, LOWER RH (BLACK/RED)	1
26	68191-06B00-7JJ.EMBLEM	1
27	68192-06B00-2HD.EMBLEM	1
28	68195-06B00-2HD.TAPE, RH	1
29	94480-06B40-9HDCOVER, LOWER LH (BLACK/RED)	1
30	68191-06B00-7JJ.EMBLEM	1
31	68192-06B00-2HD.EMBLEM	1
32	68275-06B00-2HD.TAPE, LH	1
33	09139-06030 SCREW, UPPER (6X16)	6
34	09139-06039 SCREW, RH & LH (6X16)	6
35	94490-06B00 BRACE, LOWER	1
36	09139-06028 SCREW (6X20)	2
37	09320-09016 CUSHION	2
38	09180-06152 SPACER	2
39	09160-06056 WASHER (6.5X18X1)	2
40	09161-07005 WASHER	10
41	94475-06B01-13ZCOVER, LOWER FRONT (BLACK)	1
42	09139-05025 SCREW (5X14)	2
43	08316-26055 NUT	2
44	94580-06B00 BRACE, LOWER RH	1
45	94590-06B00 BRACE, LOWER LH	1
46	94493-06B00 BRACE, LOWER REAR	2
47	01517-06128 BOLT	2
48	09139-06030 SCREW (6X16)	2
49	08321-21064 LOCK WASHER	2
50	08313-11065 NUT	2
51	94550-06B00 BRACE, MIRROR RH	1
52	94560-06B00 BRACE, MIRROR LH	1
53	09250-08008 CUSHION	2
54	01107-06165 BOLT	4
55	08321-21064 LOCK WASHER	4
56	08321-31064 LOCK WASHER	2
57	09139-06030 SCREW (6X16)	1
58	68612-48B00 LABEL, SCREEN	1
58	68612-48B00 REFER TO FIG.70 (I-10) FOR MO	

FIG. 70



1	94400-06B60-9SRBODY ASSY, COWLING	1
1	94400-06B60-9SR (WHITE/BLUE)	
2	68180-06B10-33N.TAPE SET	1
3	68271-04A00-22R.EMBLEM	1
4	94435-27A00-22R.COVER, FRONT (BLUE)	1
5	03541-04125 .SCREW	4
6	94611-06B01 SCREEN, WIND (CLEAR)	1
7	94631-27A00 MOLDING	1
8	09139-05025 SCREW (5X14)	3
9	09139-05032 SCREW, REAR (5X18)	2
10	94619-27A00 NUT	5
11	94529-27A00 PLATE, MIRROR RH	1
12	94539-27A00 PLATE, MIRROR LH	1
13	94430-06B70-9SRCOVER, SIDE RH (WHITE/BLUE)	1
14	68112-43400-22R.EMBLEM	1
15	94440-06B70-9SRCOVER, SIDE LH (WHITE/BLUE)	1
16	68112-43400-22R.EMBLEM	1
17	09139-06027 SCREW, REAR (6X12)	2
18	09169-06033 WASHER	2
19	09139-06030 SCREW (6X16)	6
20	94570-04A00 CUSHION	2
21	94510-06B00 BRACE, FRONT	1
22	07120-08205 BOLT	1
23	07120-08165 BOLT, LOWER	2
24	94530-06B00 BRACE, REAR	1
25	94470-06B50-2GZCOVER, LOWER RH (WHITE/BLUE)	1
26	68191-06B00-2GR.EMBLEM	1
27	68192-06B00-2GZ.EMBLEM	1
28	94480-06B50-2GZCOVER, LOWER LH (WHITE/BLUE)	1
29	68191-06B00-2GR.EMBLEM	1
30	68192-06B00-2GZ.EMBLEM	1
31	09139-06030 SCREW, UPPER (6X16)	6
32	09139-06039 SCREW, RH & LH (6X16)	6
33	94490-06B00 BRACE, LOWER	1
34	09139-06028 SCREW (6X20)	2
35	09320-09016 CUSHION	2
36	09180-06152 SPACER	2
37	09160-06056 WASHER (6.5X18X1)	2
38	09161-07005 WASHER	10
39	94475-06B01-22RCOVER, LOWER FRONT (WHITE)	1
40	09139-05025 SCREW (5X14)	2
41	08316-26055 NUT	2
42	94580-06B00 BRACE, LOWER RH	1
43	94590-06B00 BRACE, LOWER LH	1
44	94493-06B00 BRACE, LOWER REAR	2
45	01517-06128 BOLT	2
46	09139-06030 SCREW (6X16)	2
47	08321-21064 LOCK WASHER	2
48	08313-11065 NUT	2
49	94550-06B00 BRACE, MIRROR RH	1
50	94560-06B00 BRACE, MIRROR LH	1
51	09250-08008 CUSHION	2
52	01107-06165 BOLT	4
53	08321-21064 LOCK WASHER	4
54	08321-31064 LOCK WASHER	2
55	09139-06030 SCREW (6X16)	1
56	68612-48B00 LABEL, SCREEN	1

FIG. 71



1	99000-25110	SUZUKI PBC GREASE	1	20G
2-1	99104-32020	THREAD LOCK SUPER (1333)	1	50G
2-2	99104-32030	THREAD LOCK SUPER (1363A)	1	50G
2-3	99000-32050	THREAD LOCK SUPER (1342)	1	50G
2-4	99000-32100	THREAD LOCK SUPER (1305)	1	50G
2-5	99000-32130	THREAD LOCK SUPER (1360)	1	50G
3	99000-32040	THREAD LOCK CEMENT	1	200G
4	99000-31140	SUZUKI BOND (1207B)	1	100G
5	99000-25030	SUZUKI SUPER GREASE	1	150G
6	99000-25140	SUZUKI MOLY PASTE	1	50G
7	94100-27820	CHAIN LOCK SET	1	
8-1	99000-10109-08YP	PAINT (RACING BLUE)	1	90G
8-2	99000-10109-23ZP	PAINT (POWERFUL BLUE)	1	90G
8-3	99000-10209-13LP	PAINT (BRIGHT SILVER METALLIC)	1	90G
8-4	99000-10209-22RP	PAINT (PEARL COOL WHITE)	1	90G
8-5	99000-10209-22PP	PAINT (PEARL TWINKLE RED)	1	90G
8-6	99000-10209-13ZP	PAINT (SPACE BLACK)	1	90G
8-7	99000-10209-34RP	PAINT (STARLIT BLUE METALLIC)	1	90G
8-8	99000-10209-39KP	PAINT (MARBLE DYNAMIC BLUE)	1	90G
8-9	99000-10109-28WP	PAINT (SPECIAL WHITE)	1	90G
8-10	99000-10109-291P	PAINT (BLACK SEMI-GLOSS)	1	90G
8-11	99000-10109-30HP	PAINT (SPECIAL WHITH)	1	90G
8-12	99000-10209-33NP	PAINT (MARBLE PARSEC BLUE)	1	90G
8-13	99000-10209-724P	PAINT (SKY BLUE)	1	90G